

BRASS BALL VALVE WITH UNION FITTING



Range : DN 1/2" to 1"1/4
End Connection : Male - Female BSP
Min. Temperature : - 10°C
Max. Temperature : + 80°C
Max. Pressure : 25 Bars
Specifications : Anti blow-out stem
Union fitting
Full bore

Material : Brass

BRASS BALL VALVE WITH UNION FITTING
SPECIFICATIONS :

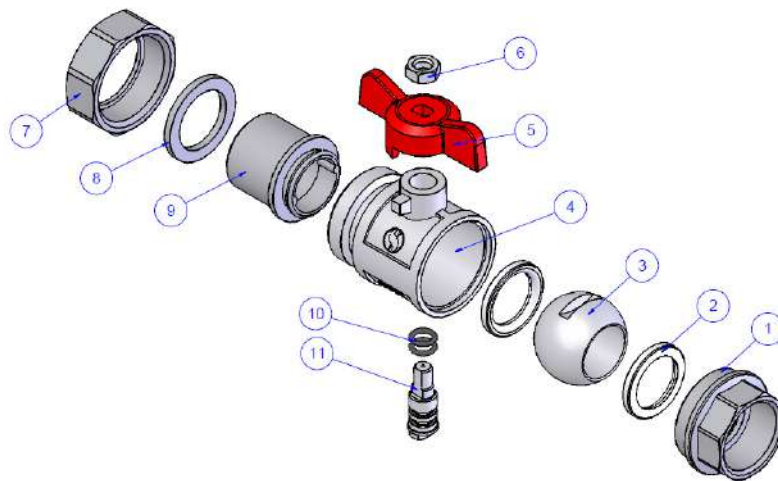
- . Full bore
- . Anti blow-out stem
- . Male / female
- . With union fitting
- . Butterfly handle

USE :

- . For all common fluids
- . Min Temperature Ts : - 10°C
- . Max Temperature Ts : + 80°C
- . Max Pressure Ps : 25 bars

RANGE :

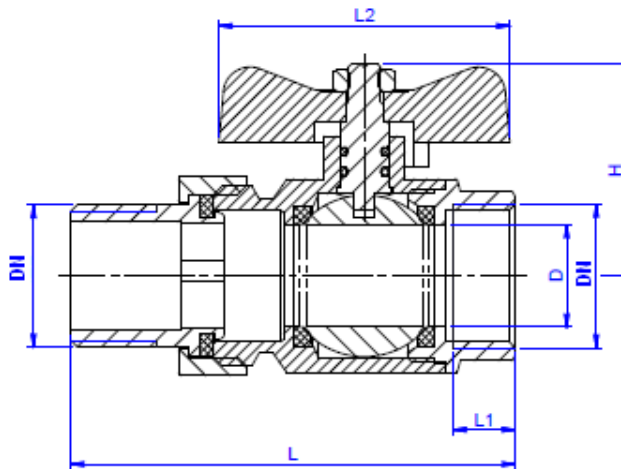
- Male / Female with union fitting **Ref. 524** 1/2" to 1"1/4

MATERIALS :


Item	Designation	Materials
1	Bonnet	Nickeled Brass EN 12165
2	Seat	PTFE
3	Ball	Chromed Brass EN 12165
4	Body	Nickeled Brass EN 12165
5	Butterfly handle	Aluminium
6	Nut	Brass EN 12165
7	Union nut	Brass EN 12165
8	Rubber washer	NBR
9	Tailpiece	Brass EN 12165
10	O-ring	NBR
11	Stem	Brass EN 12164

BRASS BALL VALVE WITH UNION FITTING

SIZE (in mm) :



	DN	1/2"	3/4"	1"	1 1/4"
Ref. 524	Ø D	14.5	19	24	30
	L	74.5	82.5	94	114
	L1	11	11.5	12	13.5
	L2	54	54	70	70
	H	35.3	38.8	48.3	56.5
	Weight (in Kg)	0.205	0.304	0.512	0.758

STANDARDS :

. DIRECTIVE 97/23/CE : Concerned by 'article 3, § 3

ADVICE : Our opinion and our advice are not guaranteed and SFERACO shall not be liable for the consequences of damages. The customer must check the right choice of the products with the real service conditions.