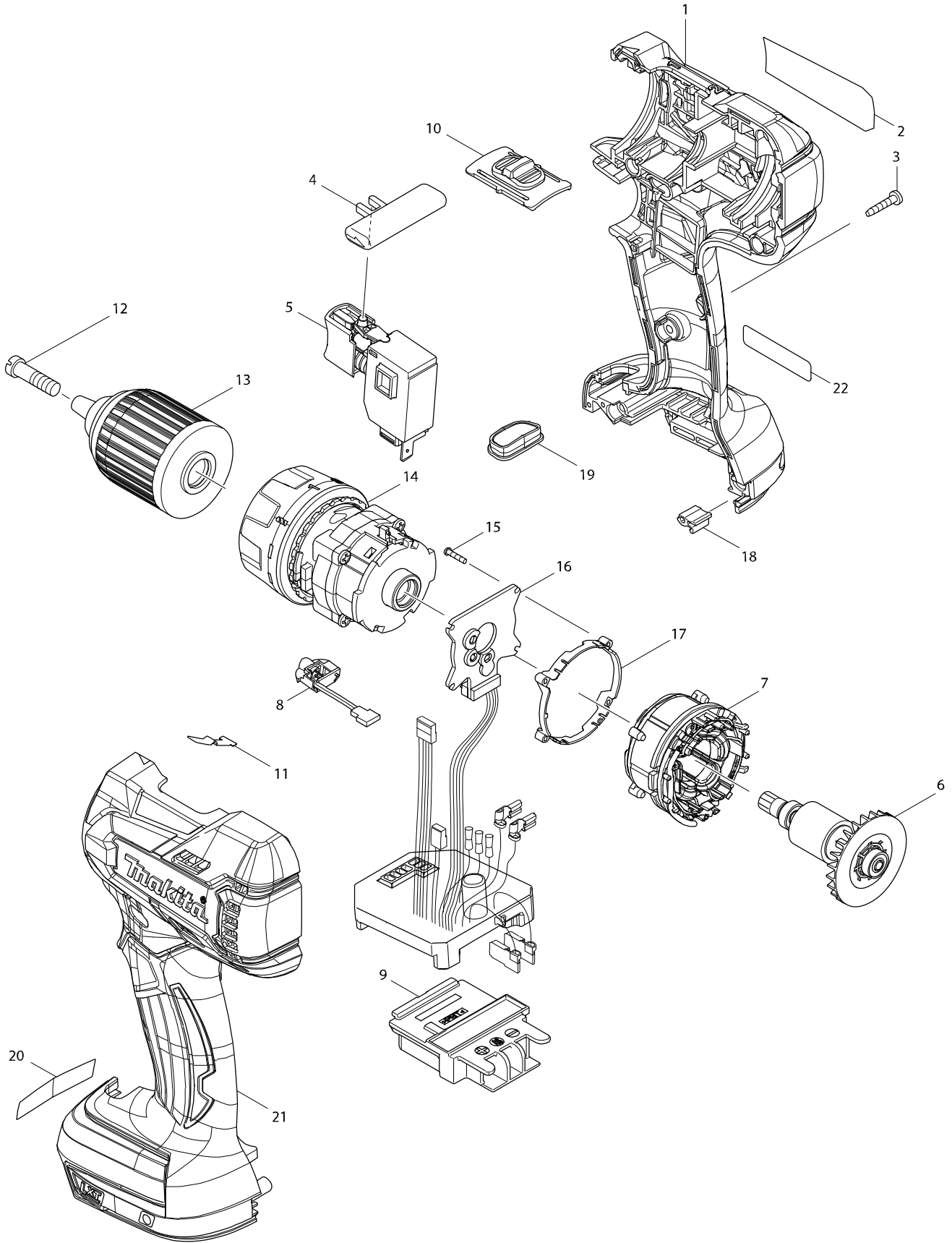


# Model No. DDF480 CORDLESS DRIVER DRILL



# Model No. DDF480 CORDLESS DRIVER DRILL

Item	Parts No.	Description	I/C	Qty	N/O	Opt. 1	Opt. 2	Note
001	187714-9	HOUSING SET		1				
C10	263005-3	RUBBER PIN 6		2				
D10		INC. 21						
002	814X02-2	DDF480 NAME PLATE		1				
003	266429-2	TAPPING SCREW 3X16		9				
004	419250-0	F/R CHANGE LEVER		1				
005	650710-5	SWITCH C3JW-4B		1				
006	619331-2	ROTOR		1				
007	629999-6	STATOR		1				
008	620244-2	LED CIRCUIT		1				
009	643860-3	TERMINAL		1				
010	126180-5	SPEED CHANGE LEVER ASSEMBLY		1				
C10	233438-6	COMPRESSION SPRING 4		2				
011	232182-2	LEAF SPRING		1				
012	251468-5	- FLAT HEAD SCREW M6X22		1				
013	766008-1	KEYLESS DRILL CHUCK 13		1				
014	126354-8	GEAR ASSEMBLY		1				
015	266786-8	+ PAN HEAD TAPPING SCREW 2X10		4				
016	620245-0	CONTROLLER		1				
017	687464-1	SUPPORT		1				
018	424517-3	CUSHION		1				
019	142263-3	INDICATOR PANEL COMPLETE		1				
021	187714-9	HOUSING SET		1				
C10	263005-3	RUBBER PIN 6		2				
D10		INC. 1						
A01	251314-2	+ SCREW M4X12		1				
A02	346317-0	HOOK		1				
A03	784637-8	+/- BIT 2-45		1				
A04A	***DC18RC	DC18RC FAST CHARGER		1				
A04C	***DC18RC	DC18RC FAST CHARGER		1				
A04D	***DC18RC	DC18RC FAST CHARGER		1				
A05A	194204-5	BATTERY BL1830 SET		2	*			
A05C	196399-0	BATTERY BL1840 SET		2	*			
A05-1A	194204-5	BATTERY BL1830 SET	O	2	*			
A05-1C	196399-0	BATTERY BL1840 SET	O	2	*			
A05-2A	197600-6	BATTERY BL1830B SET	<	2				
A05-2C	197265-4	BATTERY BL1840B SET	<	2				
A05-2D	197280-8	BATTERY BL1850B SET		2				
A06A	450128-8	BATTERY COVER		1				
A06C	450128-8	BATTERY COVER		1				
A06D	450128-8	BATTERY COVER		1				
A07A	158597-4	PLASTIC CASE COMPLETE		1				
C10	324679-6	SHAFT		1				
C20	417724-5	LATCH		2				
C30	419216-0	HANDLE		1				
A07C	158597-4	PLASTIC CASE COMPLETE		1				
C10	324679-6	SHAFT		1				
C20	417724-5	LATCH		2				

