



Makita Werkzeug Ges.m.b.H.

Airportstr. 4, 2401 Fischamend

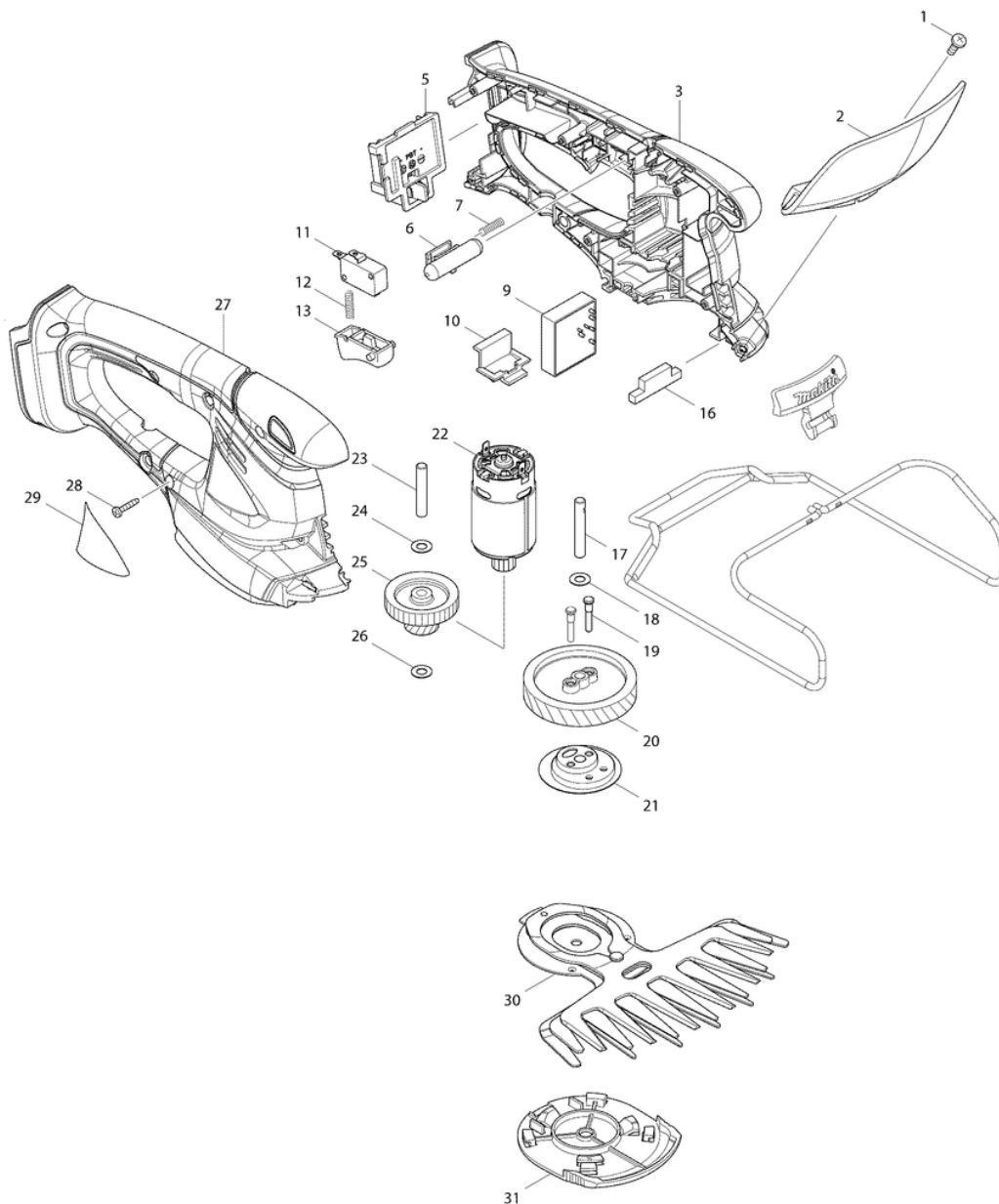
Tel: 02232 / 777 00

Fax: 02232 / 777 00 - 40

Mail: verkauf@makita.at

Web: www.makita.at

Makita Service Information / Model: BUM168





Makita Werkzeug Ges.m.b.H.

Airportstr. 4, 2401 Fischamend

Tel: 02232 / 777 00

Fax: 02232 / 777 00 - 40

Mail: verkauf@makita.at

Web: www.makita.at

Makita Service Information / Model: BUM168

| POS | Bestell-Nr. | Artikelbeschreibung | Stk. | Stk.Preis |
|--------|-------------|--------------------------------|------|-----------|
| 1 | 915116-7 | Lapos félgömbfejű csavar M4x12 | 1 | N/A |
| 2 | 140599-4 | PROTECTOR COMPLETE | 1 | N/A |
| 3 | 187426-4 | HOUSING SET | 1 | N/A |
| 3 | | *** INC. 27 | | N/A |
| 5 | 643852-2 | Akkutartó BHP456 | 1 | N/A |
| 6 | 452438-9 | LOCK OFF BUTTON | 1 | N/A |
| 7 | 231473-8 | Nyomórugó 4 4604DW | 1 | N/A |
| 9 | 620119-5 | CONTROLLER | 1 | N/A |
| 10 | 451812-8 | LOCK LEVER | 1 | N/A |
| 11 | 651891-8 | Kapcsoló V-15-3A6 6901DW/4191 | 1 | N/A |
| 12 | 231473-8 | Nyomórugó 4 4604DW | 1 | N/A |
| 13 | 417564-1 | SWITCH LEVER | 1 | N/A |
| 16 | 451814-4 | DUST GUARD | 1 | N/A |
| 17 | 268254-7 | PIN 6 | 1 | N/A |
| 18 | 261122-3 | WASHER 6 | 1 | N/A |
| 19 | 268256-3 | PIN 4 | 2 | N/A |
| 20 | 227728-7 | HELICAL GEAR 47 | 1 | N/A |
| 21 | 165609-6 | CRANK COMPLETE | 1 | N/A |
| 22 | 629945-9 | DC MOTOR | 1 | N/A |
| 23 | 268076-5 | PIN 6 | 1 | N/A |
| 24 | 261122-3 | WASHER 6 | 1 | N/A |
| 25 | 226831-1 | GEAR 12-31 | 1 | N/A |
| 26 | 261122-3 | WASHER 6 | 1 | N/A |
| 27 | 187426-4 | HOUSING SET | 1 | N/A |
| 27 | | *** INC. 3 | | N/A |
| 28 | 266429-2 | Csavar 3x16 | 6 | N/A |
| 29 | 896939-1 | BUM168 NAME PLATE | 1 | N/A |
| 30 | 195267-4 | SHEAR BLADE ASSEMBLY SET | 1 | N/A |
| 31 | 140451-6 | UNDER COVER COMPLETE | 1 | N/A |
| 1001 | 326146-7 | BASE FRAME | 1 | N/A |
| 1002 | 451813-6 | CHANGE LEVER | 1 | N/A |
| 1003 | 452055-5 | BLADE COVER | 1 | N/A |
| 1004 | ***DC18RC | DC18RC FAST CHARGER | 1 | N/A |
| 1005 | 194204-5 | BATTERY BL1830 SET | 1 | N/A |
| 1005.2 | 194204-5 | BATTERY BL1830 SET | 1 | N/A |