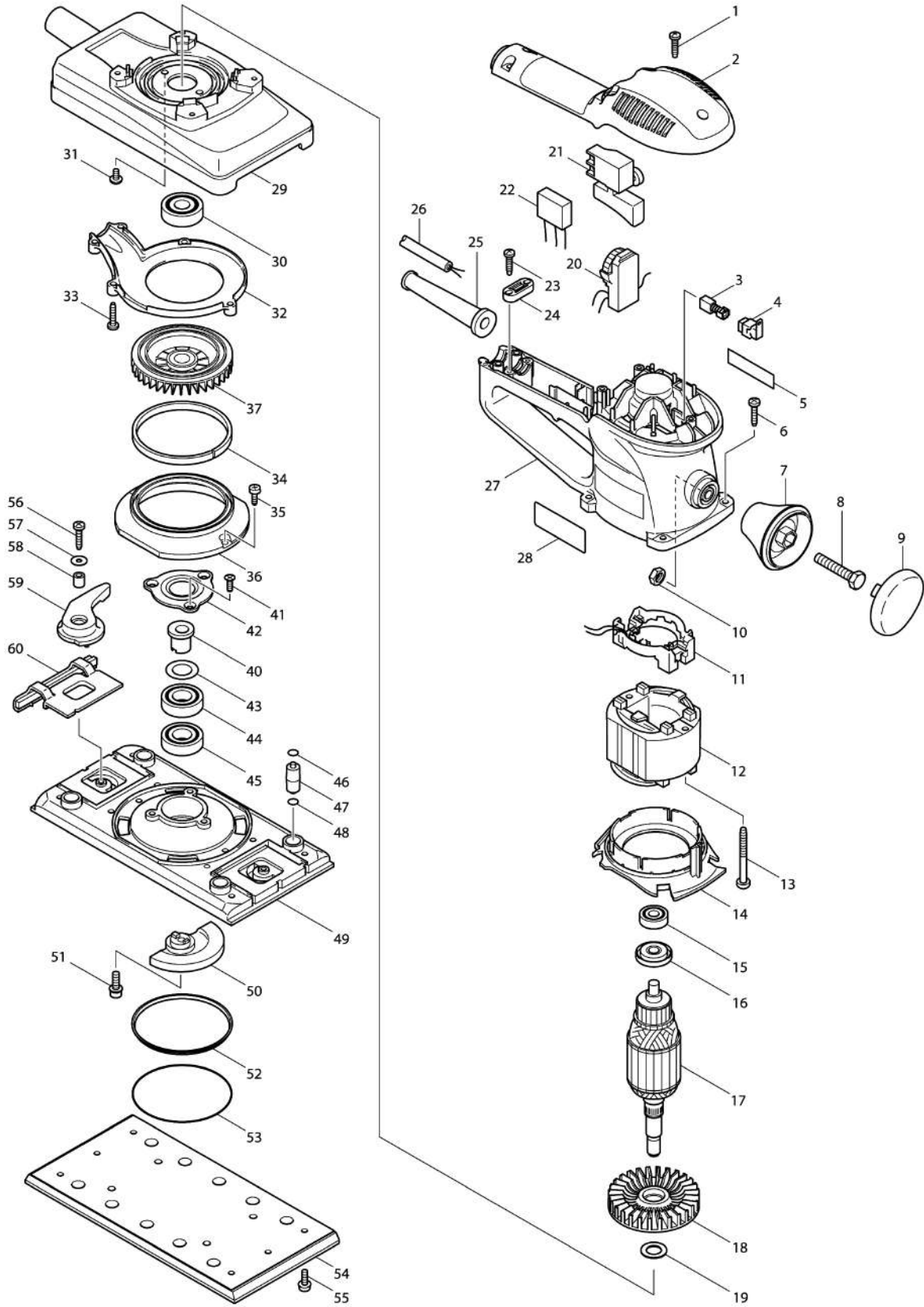


Model No. BO4900V FINISHING SANDER





Model No.BO4900V FINISHING SANDER

Item	Parts No.	Description	I/C	Qty	New/Old	Opt. 1	Opt. 2	Note
001	265995-6	TAPPING SCREW 4X18		5				
002	417778-2	TOP COVER		1				
003	191962-4	CARBON BRUSH CB-419		1				
004	643923-5	BRUSH HOLDER		2				
005	819063-3	MAKITA LABEL		1				
006	266042-6	TAPPING SCREW BIND CT 4X20		4				
007	417774-0	KNOB		1				
008	921467-8	HEX. BOLT M8X45		1				
009	417775-8	KNOB COVER		1				
010	931403-6	HEX. NUT M8		1				
011	638135-3	SUPPORT COMPLETE		1	*			
011-1	632R03-0	SUPPORT COMPLETE	<	1				
012	634464-2	FIELD 230-240V		1				
013	266046-8	TAPPING SCREW 5X50		2				
014	417777-4	BAFFLE PLATE		1				
015	210005-4	BALL BEARING 608DDW		1				
016	681644-1	INSULATION WASHER		1				
017	513504-8	ARMATURE ASS'Y 230-240V		1				
D10		INC. 15,16,18						
018	240043-2	FAN 70		1				
019	253744-3	FLAT WASHER 12		1				
020	631482-1	CONTROLLER		1				
021	651286-5	SWITCH SGEL206C-5		1				
022	645253-0	NOISE SUPPRESSOR		1	*			
022-1	645200-1	NOISE SUPPRESSOR	S	1				
023	265995-6	TAPPING SCREW 4X18		2				
024	687052-4	STRAIN RELIEF		1				
025	682516-3	CORD GUARD 9.3-85		1	*			
025-1	682504-0	CORD GUARD 10-85	O	1				
026	665890-4	POWER SUPPLY CORD 1.0-2- 4.0		1				
027	183419-9	MOTOR HOUSING		1				
D10		INC. 5						
028	853497-0	NAME PLATE BO4900V		1				
029	317538-1	FRAME		1				
030	211129-9	BALL BEARING 6201DDW		1				
031	251291-8	+ SCREW M4X8		2				
032	417773-2	SCROLL COVER		1				
033	266042-6	TAPPING SCREW BIND CT 4X20		5				
034	443108-1	FELT 6X225X3		1				
035	266026-4	TAPPING SCREW BIND CT 4X12		2				

Model No.BO4900V FINISHING SANDER

Item	Parts No.	Description	I/C	Qty	New/Old	Opt. 1	Opt. 2	Note
036	417772-4	DUST GUIDE		1				
037	240051-3	FAN 78		1				
040	313104-2	SLEEVE		1				
041	266058-1	TAPPING SCREW CT 4X12		3				
042	162171-2	BEARING RETAINER 24		1				
043	253315-6	THIN WASHER 15		1				
044	211201-7	BALL BEARING 6002LLB		1				
045	211201-7	BALL BEARING 6002LLB		1				
046	213047-7	O RING 4		4				
047	317535-7	FOOT		4				
048	213047-7	O RING 4		4				
049	317537-3	BASE		1				
050	317536-5	BALANCER		1				
051	266071-9	HEX. SOCKET HEAD BOLT M5X16		1				
052	345211-3	UNDER COVER		1				
053	213755-0	O RING 75		1				
054	193521-0	PAD		1				
055	911118-1	PAN HEAD SCREW M4X12		8				
056	266042-6	TAPPING SCREW BIND CT 4X20		2				
057	253874-0	FLAT WASHER 4		2				
058	257659-6	SLEEVE 4		2				
059	153361-8	CLAMP LEVER COMPLETE		2				
060	153362-6	PAPER CLAMP COMPLETE		2				
C10	421498-2	CLAMP RUBBER		2				
A01	193294-5	PAPER DUST BAG HOLDER		1				
A02	193293-7	PAPER DUST BAG		1				
A03	A-14093	ABRASIVE PAPER 115-120 /STD		1				
A04B	821550-0	CONNECTOR PLASTIC CASE (TYPE2)		1	*			
C10	453974-8	LATCH		4	*			
A04-1B	821550-0	CONNECTOR PLASTIC CASE (TYPE2)	<	1				
C10	453974-8	LATCH		4				
A05B	837675-0	INNER TRAY		1				
A06B	800V58-9	BO4900VJ INDICATION LABEL		1				
A07B	800V59-7	BO4900VJ PLASTIC CASE LABEL		2				

Please order the parts with part number.

Print Date 26/3/2020