



PERFORMANCE RANGE

- Flow rate up to **6000 l/min** (360 m³/h)
- Head up to **95 m**

APPLICATION LIMITS

- Manometric suction lift up to **7 m**
- Liquid temperature between **-10 °C and +90 °C**
- Ambient temperature between **-10 °C and +40 °C**
- Max. pressure in pump body **10 bar** (PN10)
- Continuous service **S1**

CONSTRUCTION AND SAFETY STANDARDS

EN 60034-1
IEC 60034-1
CEI 2-3



Pump body dimensions in compliance with **EN 733**

INSTALLATION AND USE

- Water supply
- Pressure boosting
- Irrigation
- Water circulation in climatisation sets
- Cleaning sets
- Firefighting sets
- Industrial applications
- Agricultural applications

The pumps must be installed in enclosed places, and definitely protected against inclement weather.

OPTIONALS AVAILABLE ON REQUEST

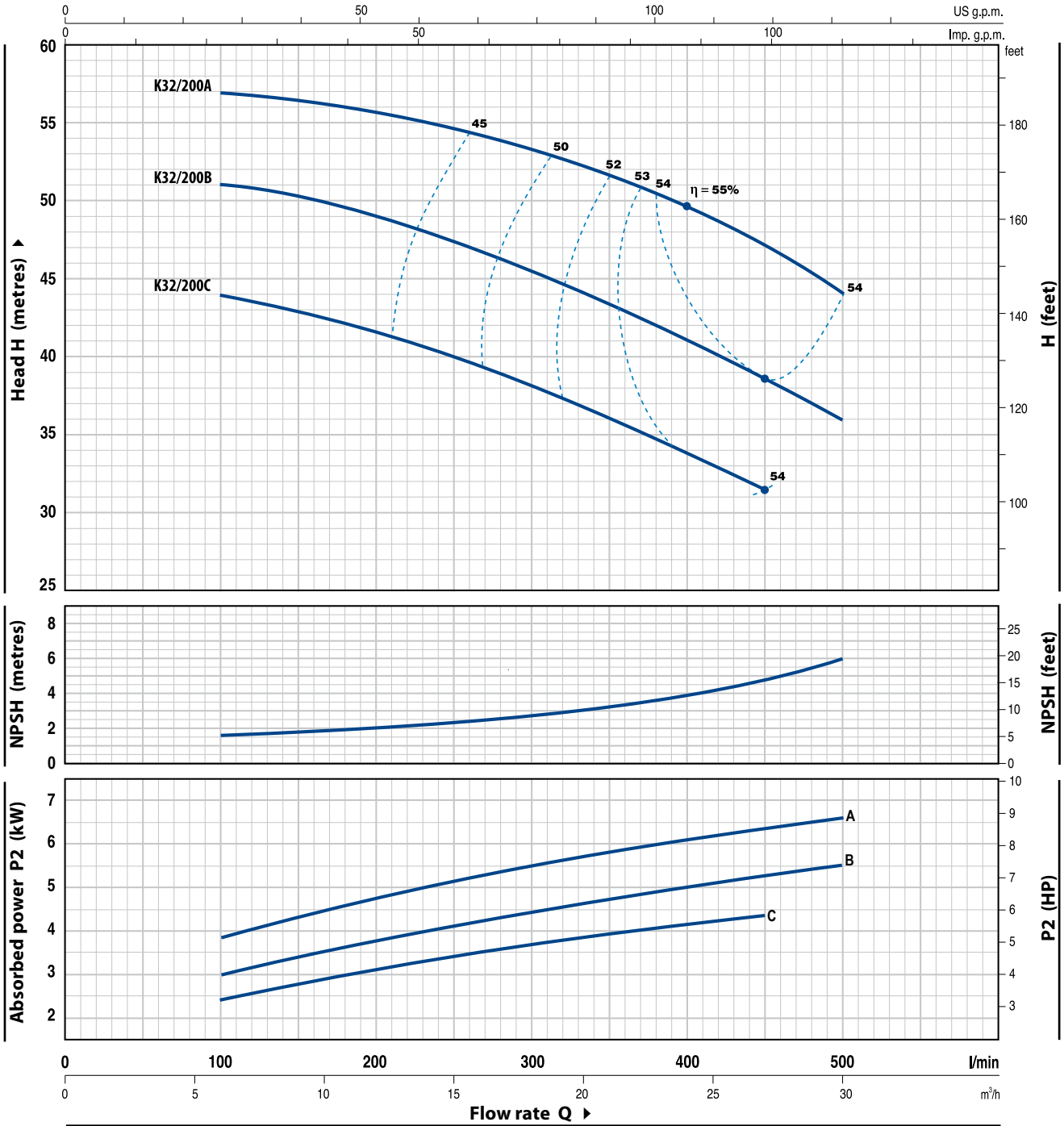
- Special mechanical seal
- Other voltages or 60 Hz frequency
- Compatibility with hotter or colder liquids
- Compatibility with hotter or colder ambients

GUARANTEE

2 years subject to our terms and conditions

CHARACTERISTIC CURVES AND PERFORMANCE DATA

50 Hz n= 2900 1/min HS= 0 m

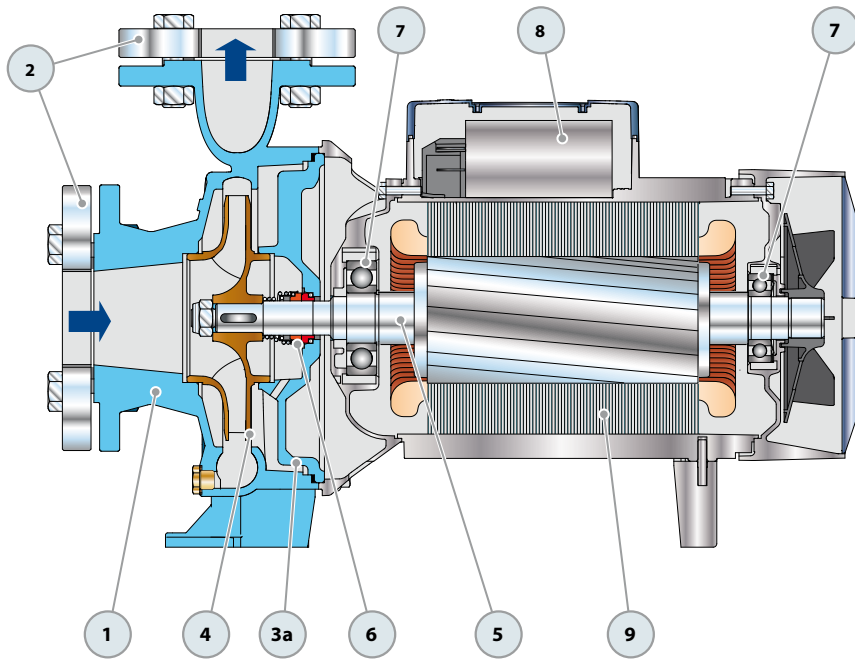


MODEL	POWER		Q	0	6	9	12	15	18	21	24	27	30
	kW	HP		0	100	150	200	250	300	350	400	450	500
Three-phase			H metres	46	44	43	41.5	40	38	36	34	31.5	
K 32/200C	4	5.5		52	51	50.5	49	47	45	43	41	38.5	36
K 32/200B	5.5	7.5		60	57	56.5	56	55	53.5	52	50	47	44

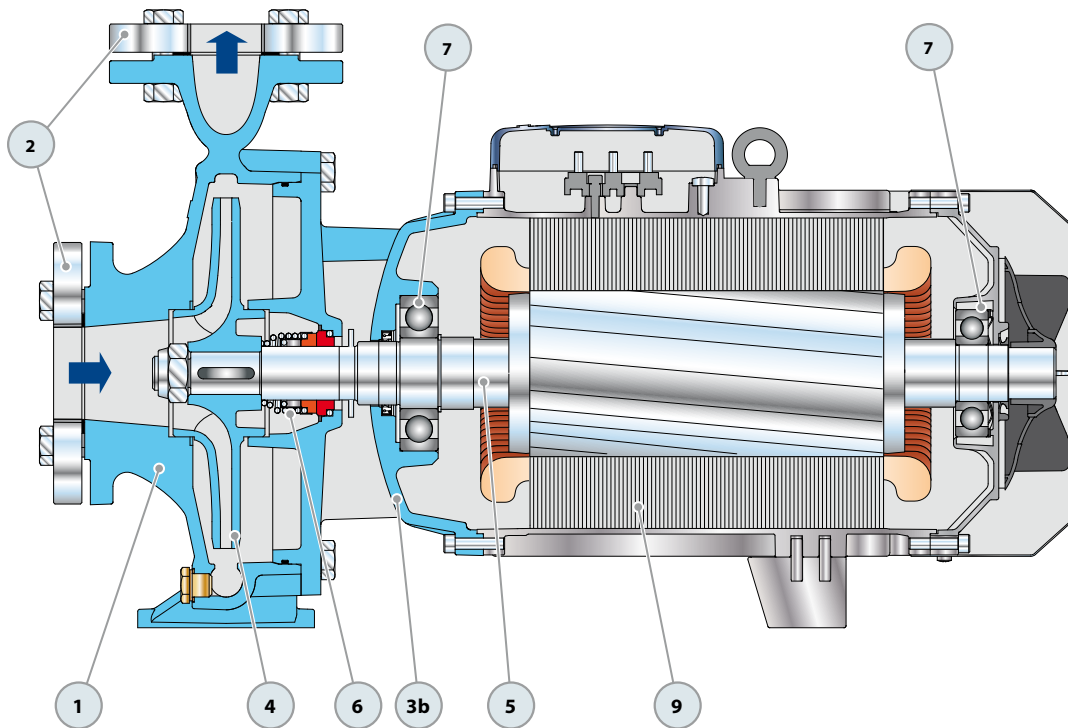
Q = Flow rate H = Total manometric head HS = Suction height

Tolerance of characteristic curves in compliance with EN ISO 9906 App. A.

POS.	COMPONENT	CONSTRUCTION CHARACTERISTICS					
1	PUMP BODY	Cast iron, complete with flanged suction and delivery ports					
2	COUNTERFLANGES	Steel, complete with ISO 228/1 thread					
3a	BODY BACKPLATE	Cast iron					
3b	MOTOR BRACKET	Cast iron					
4	IMPELLER	Brass for K32/160, K32/200, K40/160, K40/200, K50/125, K50/160 Cast iron for K40/250, K50/200, K50/250, K65/125, K65/160, K65/200, K65/250, K80/160, K80/200, K80/250, K100/160, K100/200, K100/250					
5	MOTOR SHAFT	Stainless steel EN 10088-3 - 1.4104					
6	MECHANICAL SEAL	Pump Model	Seal Model	Shaft Diameter	<i>Stationary ring</i>	<i>Rotational ring</i>	<i>Elastomer</i>
		K32/160 K50/125	K40/160 FN-20	Ø 20 mm	Graphite	Ceramic	NBR
		K32/200 K50/160	K40/200 K65/125 FN-24	Ø 24 mm	Graphite	Ceramic	NBR
		K50/200 K65/200 K100/160	K65/160 K80/160 FN-32 NU	Ø 32 mm	Graphite	Ceramic	NBR
		K40/250 K65/250	K50/250 K80/200 FN-38	Ø 38 mm	Graphite	Ceramic	NBR
		K80/250B K80/250A	K100/200 K100/250 FN-40	Ø 40 mm	Graphite	Ceramic	NBR
			FH-45 NU	Ø 45 mm	Graphite	Ceramic	NBR
7	BEARINGS	Pump Model		Pump Model			
		K32/160C K32/160B K40/160C K50/125C	6206 ZZ - C3 / 6204 ZZ	K32/200 K40/200 K50/160 K65/125	6307 ZZ - C3 / 6206 ZZ - C3		
		K32/160BM K32/160A K40/160CM K40/160B K50/125CM K50/125B	6206 ZZ - C3 / 6205 ZZ	K40/250 K50/200 K50/250 K65/160 K65/200 K80/160 K100/160	6310 ZZ - C3 / 6308 ZZ - C3		
		K40/160A K50/125A	6306 ZZ - C3 / 6206 ZZ - C3	K65/250 K80/200 K80/250B K100/200	6312 ZZ - C3 / 6212 ZZ - C3		
				K80/250A K100/250	6314 ZZ - C3 / 6314 ZZ - C3		
8	CAPACITOR	Pump Single-phase	Capacity (230 V or 240 V)				
		K32/160BM	70 µF 450 VL				
		K40/160CM	70 µF 450 VL				
		K50/125CM	70 µF 450 VL				
9	ELECTRIC MOTOR	KM: single-phase 230 V - 50 Hz with thermal overload protector built-in to the winding (up to 1.5 kW) K: three-phase 230/400 V - 50 Hz up to 4 kW 400/690 V - 50 Hz from 5.5 to 75 kW ► Pumps fitted with the three-phase motor option offer IE2 (IEC 60034-30) class high performance – Insulation: F class – Protection: IP 55					

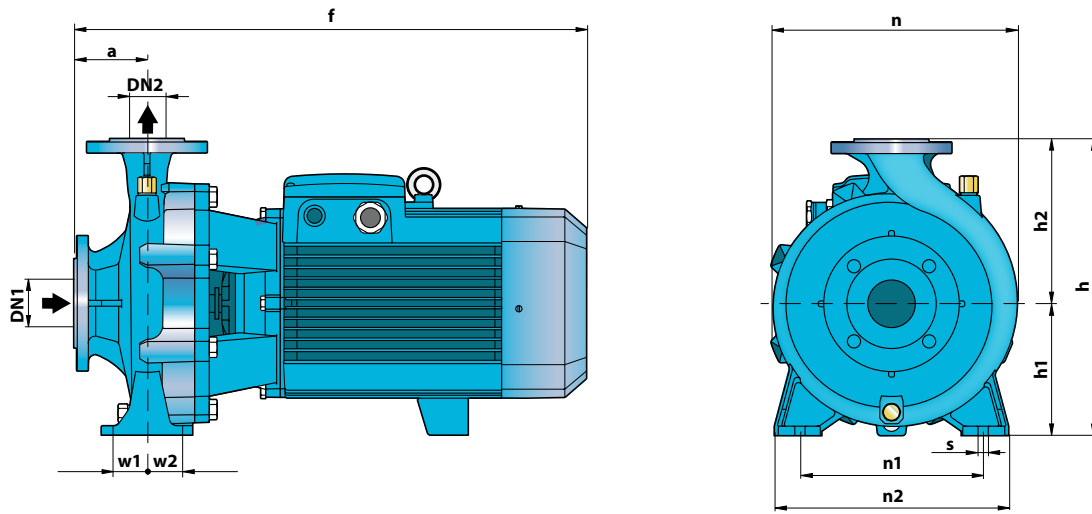


Single-phase version



Three-phase version

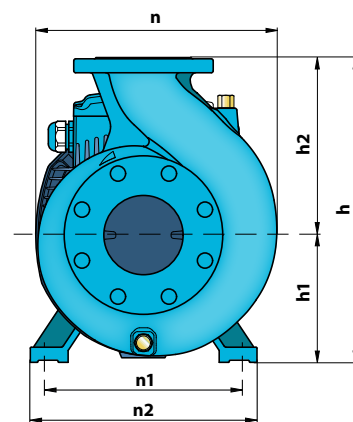
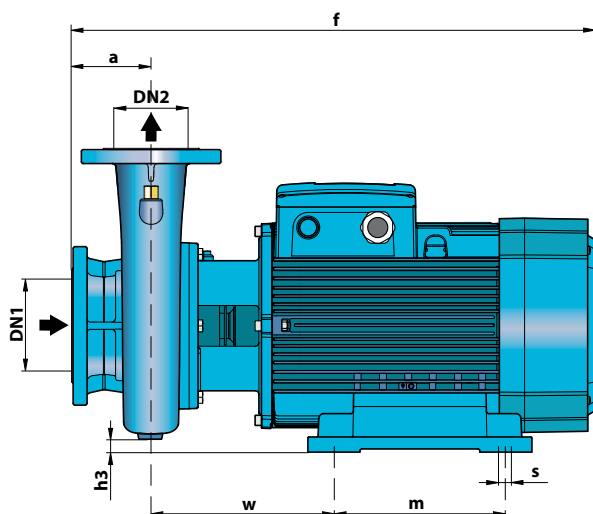
DIMENSIONS AND WEIGHT



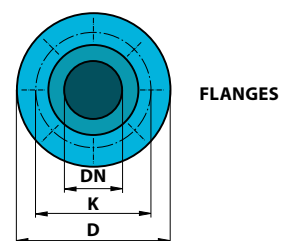
MODEL		PORTS		DIMENSIONS mm											kg *					
Single-phase	Three-phase	DN1	DN2	a	f	h	h1	h2	n	n1	n2	w1	w2	s	1~	3~				
-	K 32/160C	50	32	80	412	292	132	160	242	190	240	35	35	14	-	37.0				
K 32/160BM	K 32/160B				42.6										38.5					
-	K 32/160A				431	-	42.6													
-	K 32/200C				469	-	52.0													
-	K 32/200B				515	340	160	180	270						-	57.0				
-	K 32/200A				469	-	61.0													
-	K 32/200BH				-	-	47.9													
-	K 32/200AH				-	-	51.1													
K 40/160CM	K 40/160C	65	40	80	412	292	132	160	240	212	265	47.5	47.5	14	43.9	40.0				
-	K 40/160B				431										-	44.0				
-	K 40/160A				465	-	50.1													
-	K 40/200B				535	340	160	180	275						212	265	-	61.0		
-	K 40/200A				606	405	180	225	328						250	320	47.5	47.5	-	67.0
-	K 40/250C				701	-	103.0													
-	K 40/250B				701	405	180	225	328						250	320	47.5	47.5	-	109.0
-	K 40/250A				701	-	125.0													
K 50/125CM	K 50/125C	65	50	100	431	292	132	160	242	190	240	35	35	14	44.2	40.1				
-	K 50/125B				450										-	44.1				
-	K 50/125A				484	-	50.7													
-	K 50/160C				489	-	55.0													
-	K 50/160B				535	340	180	269	-						212	265	47.5	47.5	-	60.6
-	K 50/160A				616	160	-	316	-						212	265	-	-	-	64.7
-	K 50/200C				711	360	200	316	-						212	265	-	-	-	106.0
-	K 50/200B				711	360	200	316	-						212	265	-	-	-	128.0
-	K 50/200A				743	-	135.0													
-	K 50/200AR				743	-	147.0													
-	K 50/250D				606	-	106.0													
-	K 50/250C				606	-	113.4													
-	K 50/250B				701	405	180	225	337						250	320	-	-	-	129.6
-	K 50/250A				701	405	180	225	337						250	320	-	-	-	146.0
-	K 50/250AR				733	-	155.0													
-	K 65/125C				511	-	62.7													
-	K 65/125B	557	340	180	291	-	212	280	47.5	47.5	-	66.8								
-	K 65/125A	621	160	-	300	-	212	280	-	-	-	74.0								
-	K 65/160C	621	360	200	300	-	212	280	47.5	47.5	-	100.0								
-	K 65/160B	716	-	106.5																
-	K 65/160A	716	-	123.0																
-	K 65/200B	719	-	128.0																
-	K 65/200A	719	-	125.0																
-	K 65/200AR	751	-	153.1																
-	K 80/160D	652	405	180	225	-	250	320	-	-	-	111.5								
-	K 80/160C	747	-	126.0																
-	K 80/160B	747	-	143.5																
-	K 80/160A	779	-	153.0																
-	K 100/160C	758	480	200	280	-	280	360	60	60	18	-	139.0							
-	K 100/160B	790	-	153.7																
-	K 100/160A	790	-	165.0																

(*weight includes counterflanges)

DIMENSIONS AND WEIGHT



DN FLANGES	D mm	K mm	HOLES	
			N°	Ø (mm)
32	140	100	4	18
40	150	110		
50	165	125		
65	185	145		
80	200	160	8	18
100	220	180		
125	250	210		

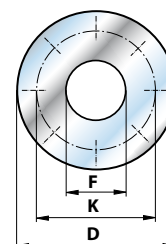


MODEL	PORTS		DIMENSIONS mm											kg *	
	DN1	DN2	a	f	h	h1	h2	h3	n	n1	n2	w	m		s
Three-phase															3~
K 65/250C	80	65	100	796	450	200	250	15	369	318	360	269.5	305	18.5	210.0
K 65/250B				847											230.0
K 65/250A				847											230.0
K 80/200B	100	80	125	824	430	280	25	360	400	490	294	350	24	212.0	
K 80/200A				875										222.5	
K 80/250B				872										245.0	
K 80/250A	125	100	140	1015	620	250	280	55	490	400	490	300	350	24	497.0
K 100/200C				824											208.5
K 100/200B				875											239.0
K 100/200A	125	100	140	875	480	200	280	0	391	318	360	269.5	305	18.5	240.0
K 100/250B				875											498.5
K 100/250A				875											498.5

(*weight includes counterflanges)

COUNTERFLANGES

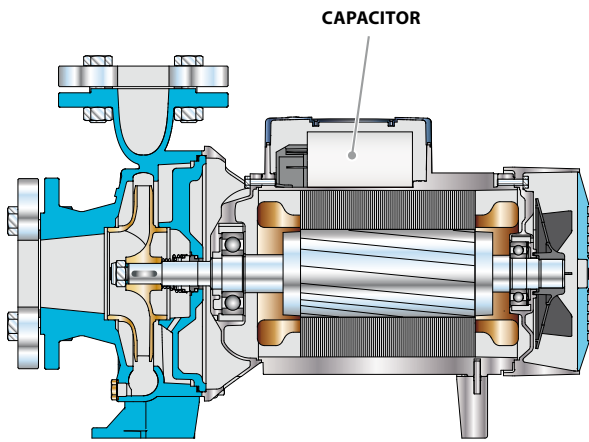
DN FLANGES	F COUNTERFLANGES	D mm	K mm	HOLES	
				N°	Ø (mm)
32	1¼"	140	100	4	18
40	1½"	150	110		
50	2"	165	125		
65	2½"	185	145		
80	3"	200	160	8	18
100	4"	220	180		
125	5"	250	210		



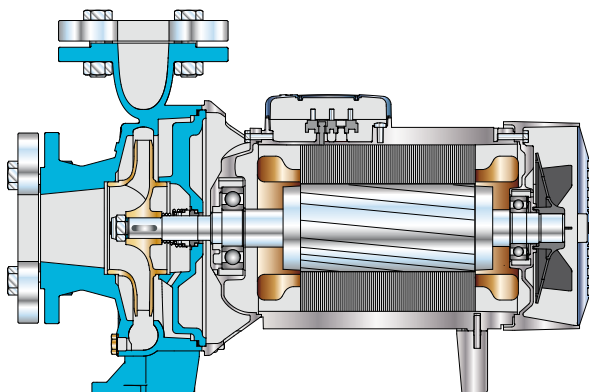
ABSORPTION

MODEL	VOLTAGE (single-phase)	
	230 V	240 V
Single-phase	230 V	240 V
K 32/160BM	15.0 A	13.8 A
K 40/160CM	15.0 A	13.8 A
K 50/125CM	15.0 A	13.8 A

MODEL	VOLTAGE (three-phase)		
	230÷240 V	400÷415 V	690÷720 V
Three-phase	230÷240 V	400÷415 V	690÷720 V
K 32/160C	7.5 A	4.3 A	2.5 A
K 32/160B	10.0 A	5.8 A	3.4 A
K 32/160A	12.0 A	7.3 A	4.2 A
K 32/200C	17.9 A	10.3 A	5.9 A
K 32/200B	–	11.7 A	6.7 A
K 32/200A	–	14.9 A	8.6 A
K 32/200BH	12.6 A	7.3 A	4.2 A
K 32/200AH	15.4 A	8.9 A	5.1 A
K 40/160C	9.9 A	5.7 A	3.3 A
K 40/160B	12.0 A	6.9 A	4.0 A
K 40/160A	17.2 A	9.9 A	5.7 A
K 40/200B	–	12.6 A	7.3 A
K 40/200A	–	15.6 A	9.0 A
K 40/250C	–	21.0 A	12.1 A
K 40/250B	–	23.5 A	13.6 A
K 40/250A	–	30.5 A	17.6 A
K 50/125C	9.4 A	5.4 A	3.1 A
K 50/125B	12.0 A	6.9 A	4.0 A
K 50/125A	16.3 A	9.4 A	5.4 A
K 50/160C	15.8 A	9.1 A	5.3 A
K 50/160B	–	12.3 A	7.1 A
K 50/160A	–	15.5 A	8.9 A
K 50/200C	–	23 A	13.3 A
K 50/200B	–	29.5 A	17 A
K 50/200A	–	34.5 A	20 A
K 50/200AR	–	41.5 A	24 A
K 50/250D	–	17.2 A	9.9 A
K 50/250C	–	21.0 A	12.0 A
K 50/250B	–	27.0 A	15.6 A
K 50/250A	–	34.0 A	19.6 A
K 50/250AR	–	41.0 A	24.0 A
K 65/125C	17.5 A	10.0 A	5.8 A
K 65/125B	–	12.0 A	7.0 A
K 65/125A	–	16.5 A	9.5 A
K 65/160C	–	19.0 A	11.0 A
K 65/160B	–	23.0 A	13.5 A
K 65/160A	–	27.5 A	16.0 A
K 65/200B	–	30.0 A	17.3 A
K 65/200A	–	35.0 A	20.2 A
K 65/200AR	–	41.0 A	24.0 A
K 65/250C	–	53.0 A	31.0 A
K 65/250B	–	65.0 A	38.0 A
K 65/250A	–	79.0 A	46.0 A
K 80/160D	–	22.0 A	13.0 A
K 80/160C	–	29.0 A	17.0 A
K 80/160B	–	34.5 A	20.0 A
K 80/160A	–	39.0 A	22.5 A
K 80/200B	–	53.0 A	31.0 A
K 80/200A	–	65.0 A	38.0 A
K 80/250B	–	79.0 A	46.0 A
K 80/250A	–	98.0 A	57.0 A
K 100/160C	–	31.0 A	18.0 A
K 100/160B	–	36.0 A	21.0 A
K 100/160A	–	42.0 A	24.0 A
K 100/200C	–	53.0 A	31.0 A
K 100/200B	–	65.0 A	38.0 A
K 100/200A	–	79.0 A	46.0 A
K 100/250B	–	98.0 A	57.0 A
K 100/250A	–	126.0A	73.0 A



Single-phase version



Three-phase version