



### PERFORMANCE RANGE

- Flow rate up to **6000 l/min** (360 m<sup>3</sup>/h)
- Head up to **95 m**

### APPLICATION LIMITS

- Manometric suction lift up to **7 m**
- Liquid temperature between **-10 °C and +90 °C**
- Ambient temperature between **-10 °C and +40 °C**
- Max. pressure in pump body **10 bar** (PN10)
- Continuous service **S1**

### CONSTRUCTION AND SAFETY STANDARDS

EN 60034-1  
IEC 60034-1  
CEI 2-3



Pump body dimensions in compliance with **EN 733**

### INSTALLATION AND USE

- Water supply
- Pressure boosting
- Irrigation
- Water circulation in climatisation sets
- Cleaning sets
- Firefighting sets
- Industrial applications
- Agricultural applications

The pumps must be installed in enclosed places, and definitely protected against inclement weather.

### OPTIONALS AVAILABLE ON REQUEST

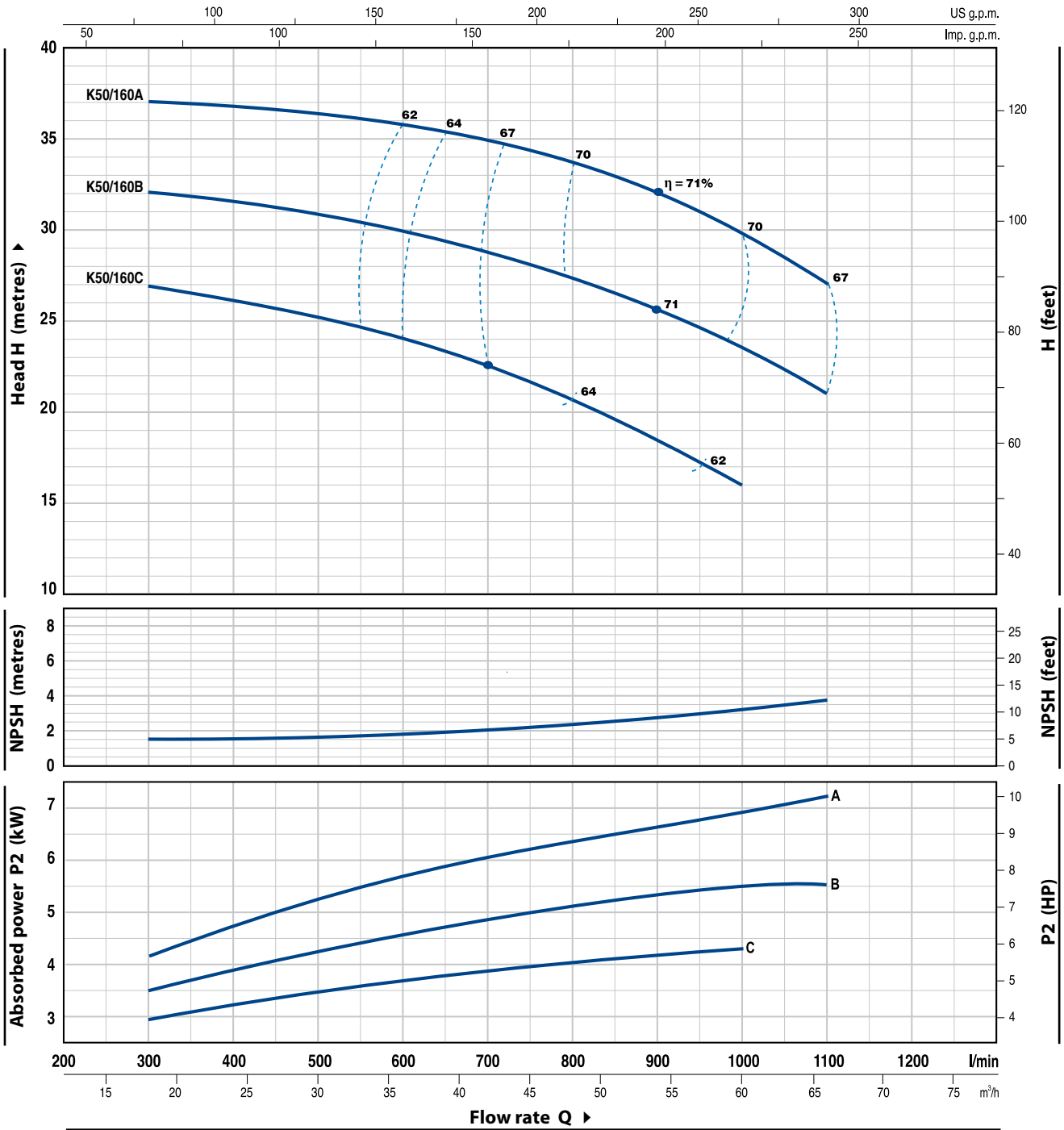
- Special mechanical seal
- Other voltages or 60 Hz frequency
- Compatibility with hotter or colder liquids
- Compatibility with hotter or colder ambients

### GUARANTEE

2 years subject to our terms and conditions

## CHARACTERISTIC CURVES AND PERFORMANCE DATA

50 Hz n= 2900 1/min HS= 0 m

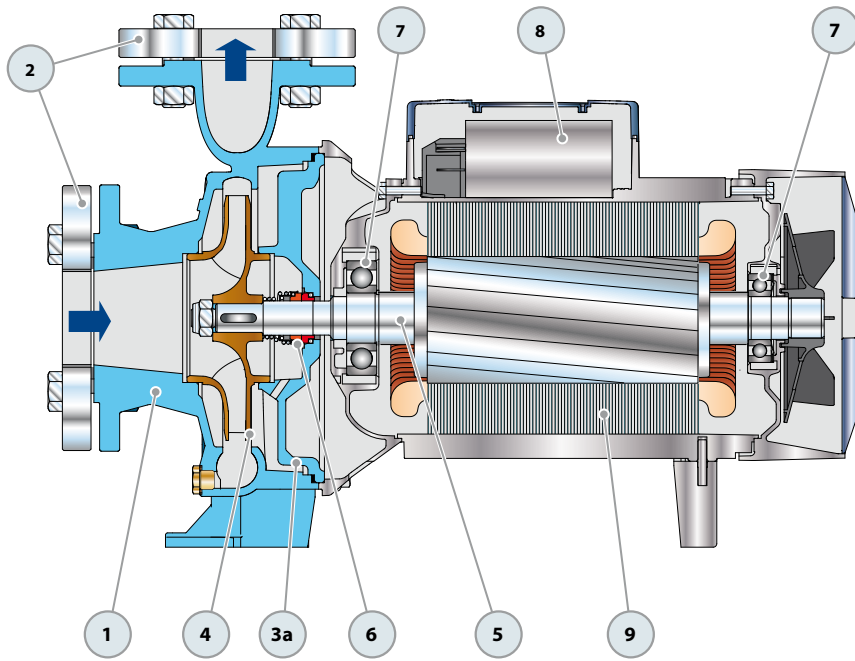


MODEL	POWER		Q	0	18	24	30	36	42	48	54	60	66
	kW	HP		0	300	400	500	600	700	800	900	1000	1100
Three-phase			H metres	27	27	26.5	25	24.5	23	20	18.5	16	
<b>K 50/160C</b>	4	5.5		33	32	31.7	31	30	29	27	26	24	21
<b>K 50/160B</b>	5.5	7.5	38	37	36.8	36.5	36	34	33	32	30	27	
<b>K 50/160A</b>	7.5	10											

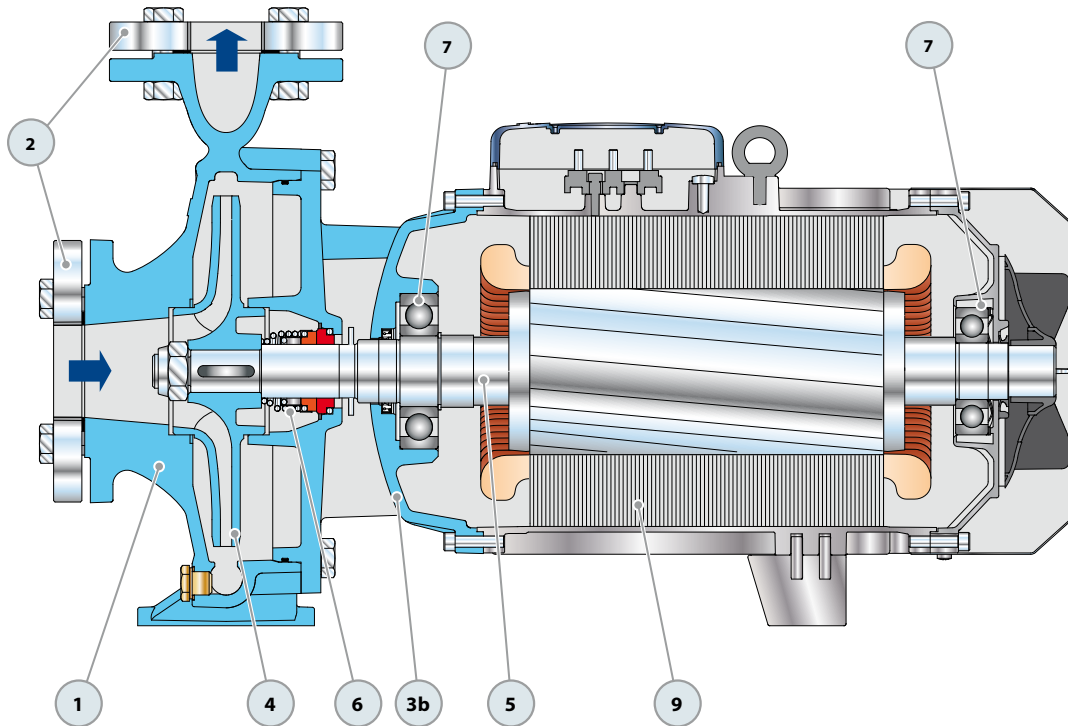
Q = Flow rate H = Total manometric head HS = Suction height

Tolerance of characteristic curves in compliance with EN ISO 9906 App. A.

POS.	COMPONENT	CONSTRUCTION CHARACTERISTICS					
1	<b>PUMP BODY</b>	Cast iron, complete with flanged suction and delivery ports					
2	<b>COUNTERFLANGES</b>	Steel, complete with ISO 228/1 thread					
3a	<b>BODY BACKPLATE</b>	Cast iron					
3b	<b>MOTOR BRACKET</b>	Cast iron					
4	<b>IMPELLER</b>	Brass for K32/160, K32/200, K40/160, K40/200, K50/125, K50/160 Cast iron for K40/250, K50/200, K50/250, K65/125, K65/160, K65/200, K65/250, K80/160, K80/200, K80/250, K100/160, K100/200, K100/250					
5	<b>MOTOR SHAFT</b>	Stainless steel EN 10088-3 - 1.4104					
6	<b>MECHANICAL SEAL</b>	<b>Pump Model</b>	<b>Seal Model</b>	<b>Shaft Diameter</b>	<i>Stationary ring</i>	<i>Materials</i> <i>Rotational ring</i> <i>Elastomer</i>	
		K32/160 K50/125	K40/160 <b>FN-20</b>	<b>Ø 20 mm</b>	Graphite	Ceramic	NBR
		K32/200 K50/160	K40/200 K65/125 <b>FN-24</b>	<b>Ø 24 mm</b>	Graphite	Ceramic	NBR
		K50/200 K65/200 K100/160	K65/160 K80/160 <b>FN-32 NU</b>	<b>Ø 32 mm</b>	Graphite	Ceramic	NBR
		K40/250 K65/250	K50/250 K80/200 <b>FN-38</b>	<b>Ø 38 mm</b>	Graphite	Ceramic	NBR
		K80/250B K80/250A	K100/200 K100/250 <b>FN-40</b>	<b>Ø 40 mm</b>	Graphite	Ceramic	NBR
			<b>FH-45 NU</b>	<b>Ø 45 mm</b>	Graphite	Ceramic	NBR
7	<b>BEARINGS</b>	<b>Pump Model</b>		<b>Pump Model</b>			
		K32/160C K32/160B K40/160C K50/125C	<b>6206 ZZ - C3 / 6204 ZZ</b>	K32/200 K40/200 K50/160 K65/125	<b>6307 ZZ - C3 / 6206 ZZ - C3</b>		
		K32/160BM K32/160A K40/160CM K40/160B K50/125CM K50/125B	<b>6206 ZZ - C3 / 6205 ZZ</b>	K40/250 K50/200 K50/250 K65/160 K65/200 K80/160 K100/160	<b>6310 ZZ - C3 / 6308 ZZ - C3</b>		
		K40/160A K50/125A	<b>6306 ZZ - C3 / 6206 ZZ - C3</b>	K65/250 K80/200 K80/250B K100/200	<b>6312 ZZ - C3 / 6212 ZZ - C3</b>		
				K80/250A K100/250	<b>6314 ZZ - C3 / 6314 ZZ - C3</b>		
8	<b>CAPACITOR</b>	<b>Pump Single-phase</b>	<b>Capacity (230 V or 240 V)</b>				
		K32/160BM	<b>70 µF 450 VL</b>				
		K40/160CM	<b>70 µF 450 VL</b>				
		K50/125CM	<b>70 µF 450 VL</b>				
9	<b>ELECTRIC MOTOR</b>	<b>KM:</b> single-phase 230 V - 50 Hz with thermal overload protector built-in to the winding (up to 1.5 kW) <b>K:</b> <b>three-phase 230/400 V - 50 Hz up to 4 kW</b> <b>400/690 V - 50 Hz from 5.5 to 75 kW</b> <b>► Pumps fitted with the three-phase motor option offer IE2 (IEC 60034-30) class high performance</b> – Insulation: F class – Protection: IP 55					

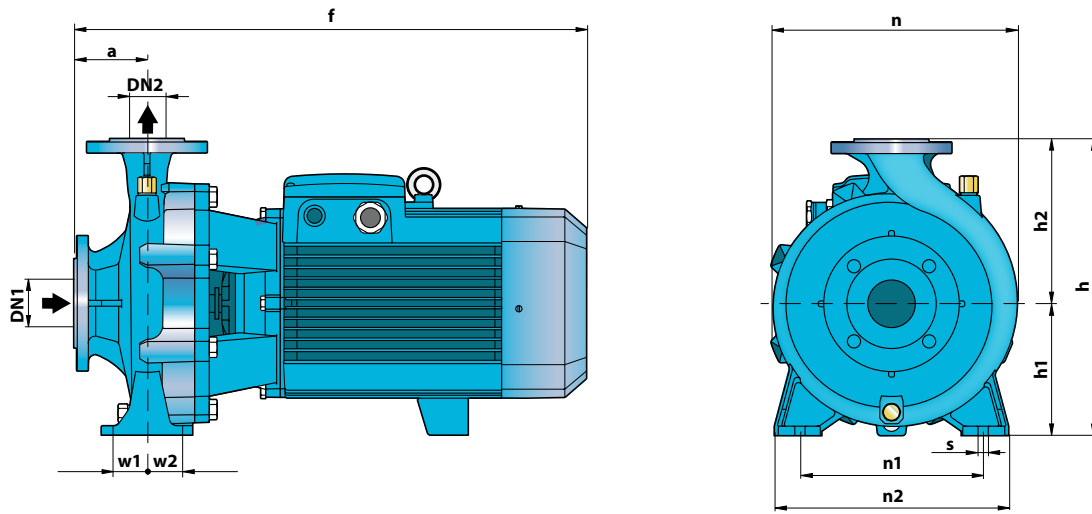


**Single-phase version**



**Three-phase version**

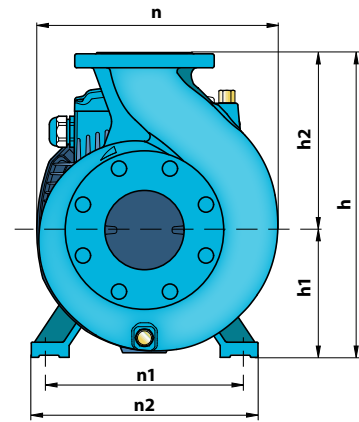
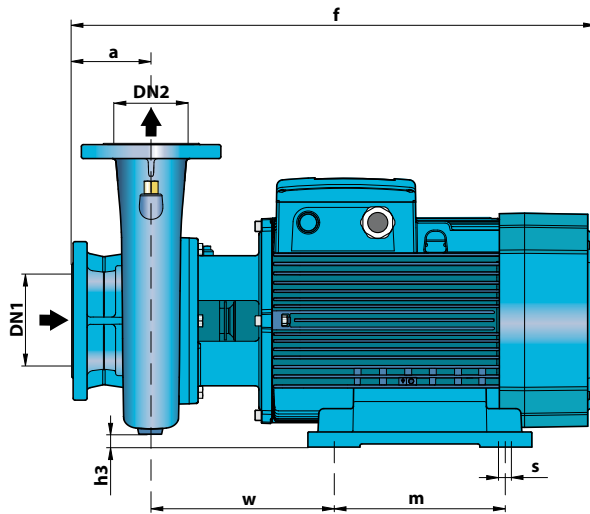
## DIMENSIONS AND WEIGHT



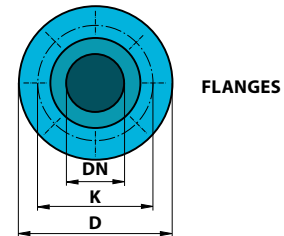
MODEL		PORTS		DIMENSIONS mm											kg *					
Single-phase	Three-phase	DN1	DN2	a	f	h	h1	h2	n	n1	n2	w1	w2	s	1~	3~				
-	K 32/160C	50	32	80	412	292	132	160	242	190	240	35	35	14	-	37.0				
K 32/160BM	K 32/160B				42.6										38.5					
-	K 32/160A				431	-	42.6													
-	K 32/200C				469	-	52.0													
-	K 32/200B				515	340	160	180	270						-	57.0				
-	K 32/200A				469	-	61.0													
-	K 32/200BH				-	-	47.9													
-	K 32/200AH				-	-	51.1													
K 40/160CM	K 40/160C	65	40	80	412	292	132	160	240	212	265	47.5	47.5	14	43.9	40.0				
-	K 40/160B				431										-	44.0				
-	K 40/160A				465	-	50.1													
-	K 40/200B				535	340	160	180	275						212	265	-	61.0		
-	K 40/200A				606	405	180	225	328						250	320	47.5	47.5	-	67.0
-	K 40/250C				701	-	103.0													
-	K 40/250B				431	-	109.0													
-	K 40/250A				450	-	125.0													
K 50/125CM	K 50/125C	65	50	100	431	292	132	160	242	190	240	35	35	14	44.2	40.1				
-	K 50/125B				450										-	44.1				
-	K 50/125A				484	-	50.7													
-	K 50/160C				489	-	55.0													
-	K 50/160B				535	340	180	269	-	212	265				-	60.6				
-	K 50/160A				616	160	-	64.7												
-	K 50/200C				711	360	200	316	-	-	-				-	106.0				
-	K 50/200B				719	-	-	-	-	-	-				-	128.0				
-	K 50/200A				743	-	-	-	-	-	-				-	135.0				
-	K 50/200AR				606	-	-	-	-	-	-				-	147.0				
-	K 50/250D				606	-	-	-	-	-	-				-	106.0				
-	K 50/250C				701	405	180	225	337	250	320				-	113.4				
-	K 50/250B				733	-	-	-	-	-	-				-	129.6				
-	K 50/250A				511	-	-	-	-	-	-				-	146.0				
-	K 50/250AR				557	340	180	291	-	212	280				47.5	47.5	-	155.0		
-	K 65/125C				621	160	-	-	-	-	-				-	62.7				
-	K 65/125B	557	-	-	-	-	-	-	-	66.8										
-	K 65/125A	621	360	200	300	-	-	-	-	74.0										
-	K 65/160C	716	-	-	-	-	-	-	-	100.0										
-	K 65/160B	719	360	200	300	-	47.5	47.5	-	106.5										
-	K 65/160A	719	-	-	-	-	-	-	-	123.0										
-	K 65/200B	719	-	-	-	-	-	-	-	128.0										
-	K 65/200A	751	-	-	-	-	340	-	-	125.0										
-	K 65/200AR	751	-	-	-	-	-	-	-	153.1										
-	K 80/160D	652	405	180	225	250	320	-	-	111.5										
-	K 80/160C	747	-	-	-	330	-	-	-	126.0										
-	K 80/160B	747	-	-	-	-	-	-	-	143.5										
-	K 80/160A	779	-	-	-	-	-	-	-	153.0										
-	K 100/160C	758	480	200	280	362	280	360	60	60	18	-	139.0							
-	K 100/160B	790	-	-	-	-	-	-	-	-	-	-	153.7							
-	K 100/160A	790	-	-	-	-	-	-	-	-	-	-	165.0							

(\*weight includes counterflanges)

### DIMENSIONS AND WEIGHT



DN FLANGES	D mm	K mm	HOLES	
			N°	Ø (mm)
32	140	100	4	18
40	150	110		
50	165	125		
65	185	145		
80	200	160	8	18
100	220	180		
125	250	210		

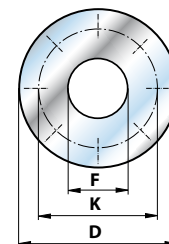


MODEL	PORTS		DIMENSIONS mm											kg *	
	DN1	DN2	a	f	h	h1	h2	h3	n	n1	n2	w	m		s
Three-phase															3~
K 65/250C	80	65	100	796	450	200	250	15	369	318	360	269.5	305	18.5	210.0
K 65/250B				847											230.0
K 65/250A				847											230.0
K 80/200B	100	80	125	824	430	280	25	360	400	490	294	350	24	212.0	
K 80/200A				875										222.5	
K 80/250B				872										245.0	
K 80/250A	125	100	140	1015	620	250	280	55	490	400	490	300	350	24	497.0
K 100/200C				824											208.5
K 100/200B				875											239.0
K 100/200A	125	100	140	875	480	200	280	0	391	318	360	269.5	305	18.5	240.0
K 100/250B				875											498.5
K 100/250A				875											498.5

(\*weight includes counterflanges)

### COUNTERFLANGES

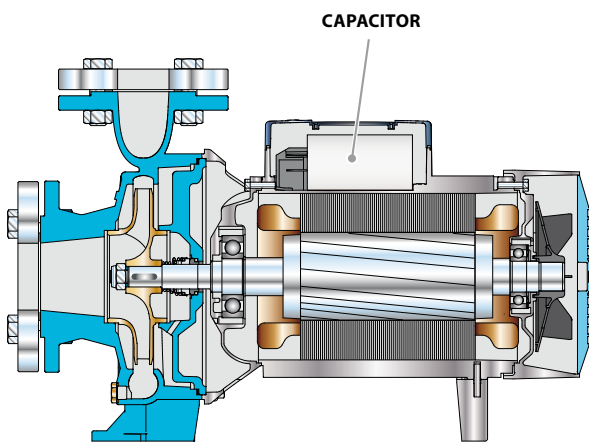
DN FLANGES	F COUNTERFLANGES	D mm	K mm	HOLES	
				N°	Ø (mm)
32	1¼"	140	100	4	18
40	1½"	150	110		
50	2"	165	125		
65	2½"	185	145		
80	3"	200	160	8	18
100	4"	220	180		
125	5"	250	210		



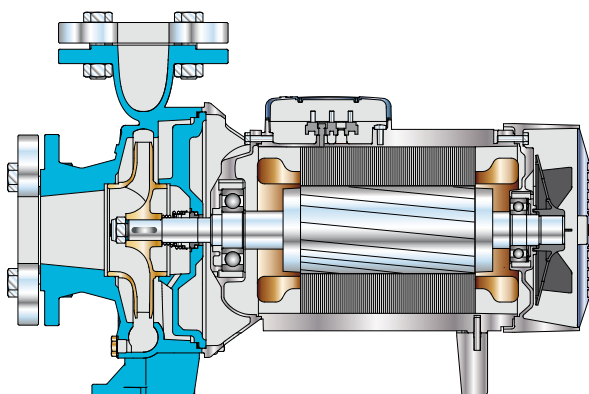
## ABSORPTION

MODEL	VOLTAGE (single-phase)	
	230 V	240 V
Single-phase	230 V	240 V
K 32/160BM	<b>15.0 A</b>	<b>13.8 A</b>
K 40/160CM	<b>15.0 A</b>	<b>13.8 A</b>
K 50/125CM	<b>15.0 A</b>	<b>13.8 A</b>

MODEL	VOLTAGE (three-phase)		
	230÷240 V	400÷415 V	690÷720 V
Three-phase	230÷240 V	400÷415 V	690÷720 V
K 32/160C	<b>7.5 A</b>	<b>4.3 A</b>	<b>2.5 A</b>
K 32/160B	<b>10.0 A</b>	<b>5.8 A</b>	<b>3.4 A</b>
K 32/160A	<b>12.0 A</b>	<b>7.3 A</b>	<b>4.2 A</b>
K 32/200C	<b>17.9 A</b>	<b>10.3 A</b>	<b>5.9 A</b>
K 32/200B	–	<b>11.7 A</b>	<b>6.7 A</b>
K 32/200A	–	<b>14.9 A</b>	<b>8.6 A</b>
K 32/200BH	<b>12.6 A</b>	<b>7.3 A</b>	<b>4.2 A</b>
K 32/200AH	<b>15.4 A</b>	<b>8.9 A</b>	<b>5.1 A</b>
K 40/160C	<b>9.9 A</b>	<b>5.7 A</b>	<b>3.3 A</b>
K 40/160B	<b>12.0 A</b>	<b>6.9 A</b>	<b>4.0 A</b>
K 40/160A	<b>17.2 A</b>	<b>9.9 A</b>	<b>5.7 A</b>
K 40/200B	–	<b>12.6 A</b>	<b>7.3 A</b>
K 40/200A	–	<b>15.6 A</b>	<b>9.0 A</b>
K 40/250C	–	<b>21.0 A</b>	<b>12.1 A</b>
K 40/250B	–	<b>23.5 A</b>	<b>13.6 A</b>
K 40/250A	–	<b>30.5 A</b>	<b>17.6 A</b>
K 50/125C	<b>9.4 A</b>	<b>5.4 A</b>	<b>3.1 A</b>
K 50/125B	<b>12.0 A</b>	<b>6.9 A</b>	<b>4.0 A</b>
K 50/125A	<b>16.3 A</b>	<b>9.4 A</b>	<b>5.4 A</b>
K 50/160C	<b>15.8 A</b>	<b>9.1 A</b>	<b>5.3 A</b>
K 50/160B	–	<b>12.3 A</b>	<b>7.1 A</b>
K 50/160A	–	<b>15.5 A</b>	<b>8.9 A</b>
K 50/200C	–	<b>23 A</b>	<b>13.3 A</b>
K 50/200B	–	<b>29.5 A</b>	<b>17 A</b>
K 50/200A	–	<b>34.5 A</b>	<b>20 A</b>
K 50/200AR	–	<b>41.5 A</b>	<b>24 A</b>
K 50/250D	–	<b>17.2 A</b>	<b>9.9 A</b>
K 50/250C	–	<b>21.0 A</b>	<b>12.0 A</b>
K 50/250B	–	<b>27.0 A</b>	<b>15.6 A</b>
K 50/250A	–	<b>34.0 A</b>	<b>19.6 A</b>
K 50/250AR	–	<b>41.0 A</b>	<b>24.0 A</b>
K 65/125C	<b>17.5 A</b>	<b>10.0 A</b>	<b>5.8 A</b>
K 65/125B	–	<b>12.0 A</b>	<b>7.0 A</b>
K 65/125A	–	<b>16.5 A</b>	<b>9.5 A</b>
K 65/160C	–	<b>19.0 A</b>	<b>11.0 A</b>
K 65/160B	–	<b>23.0 A</b>	<b>13.5 A</b>
K 65/160A	–	<b>27.5 A</b>	<b>16.0 A</b>
K 65/200B	–	<b>30.0 A</b>	<b>17.3 A</b>
K 65/200A	–	<b>35.0 A</b>	<b>20.2 A</b>
K 65/200AR	–	<b>41.0 A</b>	<b>24.0 A</b>
K 65/250C	–	<b>53.0 A</b>	<b>31.0 A</b>
K 65/250B	–	<b>65.0 A</b>	<b>38.0 A</b>
K 65/250A	–	<b>79.0 A</b>	<b>46.0 A</b>
K 80/160D	–	<b>22.0 A</b>	<b>13.0 A</b>
K 80/160C	–	<b>29.0 A</b>	<b>17.0 A</b>
K 80/160B	–	<b>34.5 A</b>	<b>20.0 A</b>
K 80/160A	–	<b>39.0 A</b>	<b>22.5 A</b>
K 80/200B	–	<b>53.0 A</b>	<b>31.0 A</b>
K 80/200A	–	<b>65.0 A</b>	<b>38.0 A</b>
K 80/250B	–	<b>79.0 A</b>	<b>46.0 A</b>
K 80/250A	–	<b>98.0 A</b>	<b>57.0 A</b>
K 100/160C	–	<b>31.0 A</b>	<b>18.0 A</b>
K 100/160B	–	<b>36.0 A</b>	<b>21.0 A</b>
K 100/160A	–	<b>42.0 A</b>	<b>24.0 A</b>
K 100/200C	–	<b>53.0 A</b>	<b>31.0 A</b>
K 100/200B	–	<b>65.0 A</b>	<b>38.0 A</b>
K 100/200A	–	<b>79.0 A</b>	<b>46.0 A</b>
K 100/250B	–	<b>98.0 A</b>	<b>57.0 A</b>
K 100/250A	–	<b>126.0A</b>	<b>73.0 A</b>



Single-phase version



Three-phase version