

Clean water

Domestic use



### PERFORMANCE RANGE

- Flow rate up to **50 l/min** (3.0 m<sup>3</sup>/h)
- Head up to **70 m**

### APPLICATION LIMITS

- Manometric suction lift up to **8 m**
- Liquid temperature between **-10 °C** and **+60 °C**
- Ambient temperature up to **+40 °C** (**+45 °C** for IP 05)
- Max. working pressure:
  - **6 bar** for IP 05, IP 07
  - **7 bar** for IP 800, IP1000
- Continuous service **S1**

### CONSTRUCTION AND SAFETY STANDARDS

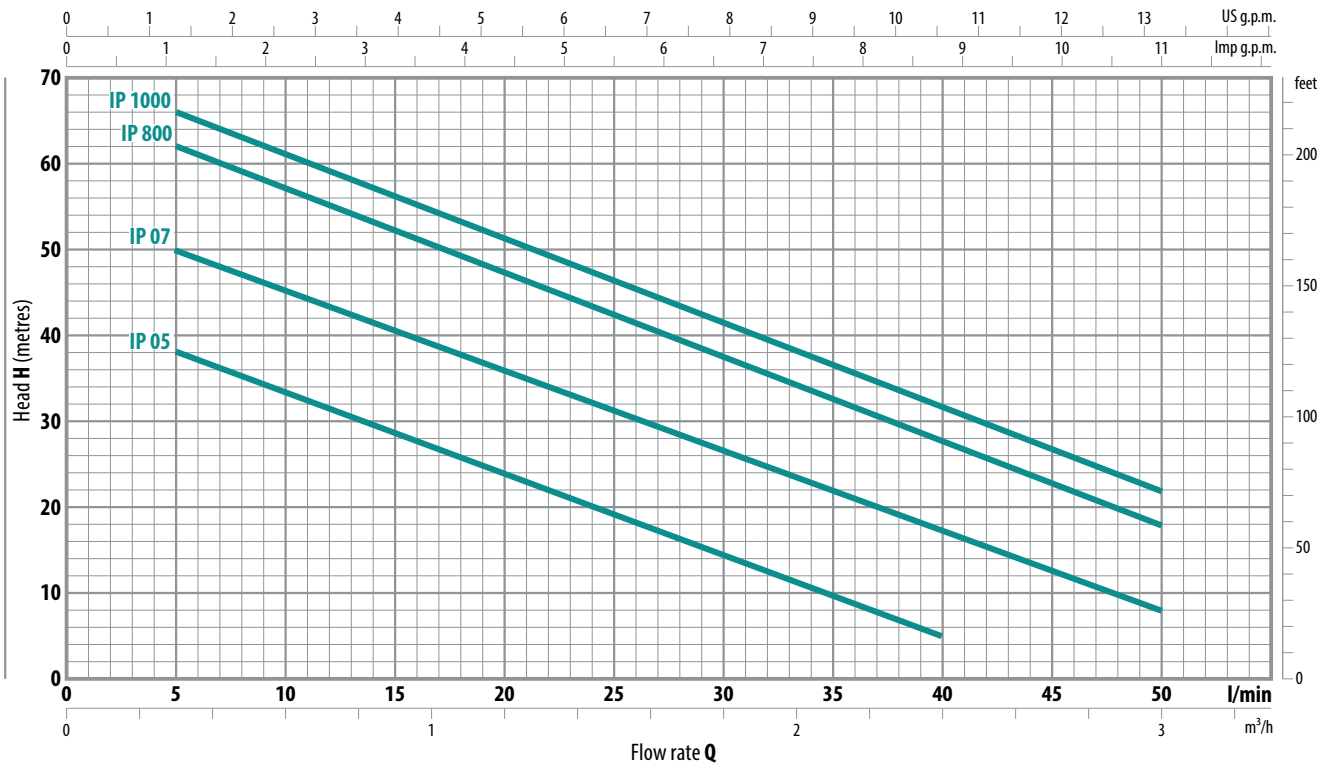
EN 60335-1  
IEC 60335-1  
CEI 61-150

EN 60034-1  
IEC 60034-1  
CEI 2-3



### CHARACTERISTIC CURVES AND PERFORMANCE DATA

50 Hz | n=2900 min<sup>-1</sup> | HS=0 m



MODEL		POWER (P <sub>2</sub> )		Q	Flow rate														
Single-phase	Three-phase	kW	HP		m <sup>3</sup> /h	0	0.3	0.6	0.9	1.2	1.5	1.8	2.1	2.4	3.0				
				H metri	l/min	0	5	10	15	20	25	30	35	40	50				
IP 05M	IP 05	0.37	0.50		40	38	33.5	29	24	19.5	15	10	5						
IP 07M	IP 07	0.55	0.75		55	50	45.5	40.5	36	31	27	22	17	8					
IP 800M	IP 800	0.60	0.85		65	62	57	52	47	42	37	32	27	18					
IP 1000M	IP 1000	0.75	1	70	66	61	56	51	46	41	36.5	31	22						

Q = Flow rate  
H = Total manometric head  
HS = Suction height

Tolerance of characteristic curves in compliance with EN ISO 9906 Grade 3B.

## INSTALLATION AND USE

Suitable for use with clean water that does not contain abrasive particles and with liquids that are not chemically aggressive towards the materials from which the pump is made.

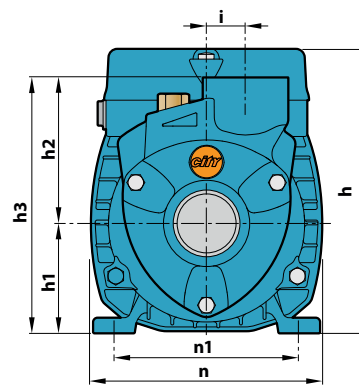
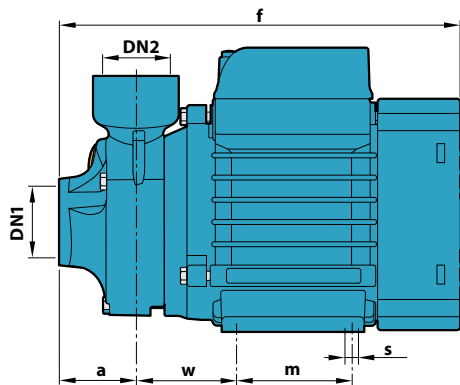
Because of their reliability and the fact that they are easy to use and are economical, they are ideal for domestic use and in particular for distributing water in combination with small pressure tanks and for the irrigation of gardens and orchards.

The pump should be installed in an enclosed environment or sheltered from inclement weather.

## CONSTRUCTION CHARACTERISTICS

<b>PUMP BODY</b>	Cast iron with an Epoxy Electro Coating treatment, with threaded ports in compliance with ISO 228/1
<b>IMPELLER</b>	Brass with peripheral radial vanes
<b>MOTOR SHAFT</b>	Stainless steel EN 10088-3 - 1.4104
<b>MECHANICAL SEAL</b>	Ceramic - Graphite - NBR
<b>ELECTRIC MOTOR</b>	The three-phase pumps are fitted with high performance motors up to P2=0.55kW in class IE2 and from P2=0.60kW in class IE3 (IEC 60034-30)

## DIMENSIONS AND WEIGHT



MODEL		PORTS		DIMENSIONS mm													kg	
Single-phase	Three-phase	DN1	DN2	a	f	h	h1	h2	h3	i	m	n	n1	w	s	1~	3~	
IP 05M	IP 05	1"	1"	39	207	145	56	75	131	20	55	118	93-100	53	7	5.2	5.2	
IP 07M	IP 07				236	152	63		138		80	120	100			7.0	6.3	
IP 800M	IP 800			55	285	180 *	71	85	156		90	140	112	62		10.0	9.9	
IP 1000M	IP 1000															10.0	9.9	

(\*) h=199 mm for single phase versions at 110 V

## ABSORPTION

MODEL	VOLTAGE		
Single-phase	230 V	240 V	110 V
IP 05M	2.5 A	2.4 A	5.5 A
IP 07M	3.7 A	3.4 A	7.4 A
IP 800M	5.2 A	4.8 A	10.8 A
IP 1000M	5.2 A	4.8 A	10.5 A

MODEL	VOLTAGE				
Three-phase	230 V	400 V	690 V	240 V	415 V
IP 05	2.0 A	1.15 A	-	1.9 A	1.1 A
IP 07	3.0 A	1.7 A	-	2.8 A	1.6 A
IP 800	3.8 A	2.2 A	-	3.3 A	1.9 A
IP 1000	3.8 A	2.2 A	-	3.3 A	1.9 A

## PALLETIZATION

MODEL		GROUPAGE	CONTAINER
Single-phase	Three-phase	n. pumps	n. pumps
IP 05M	IP 05	240	330
IP 07M	IP 07	189	243
IP 800M	IP 800	102	170
IP 1000M	IP 1000	102	170