

# PATROL

## SUBMERSIBLE PUMPS



### DOUBLE-CHANNEL

-  Filthy water
-  Domestic use
-  Civil use



### PERFORMANCE RANGE

- Flow rate up to **750 l/min** (45 m<sup>3</sup>/h)
- Head up to **15 m**

### APPLICATION LIMITS

- **10 m** maximum immersion depth (with a sufficiently long power cable)
- Maximum liquid temperature **+40 °C**
- Passage of suspended solids up to **Ø 50 mm**
- Minimum immersion depth for continuous service: **300 mm**

### CONSTRUCTION AND SAFETY STANDARDS

- Power cable
- Float switch for single-phase versions

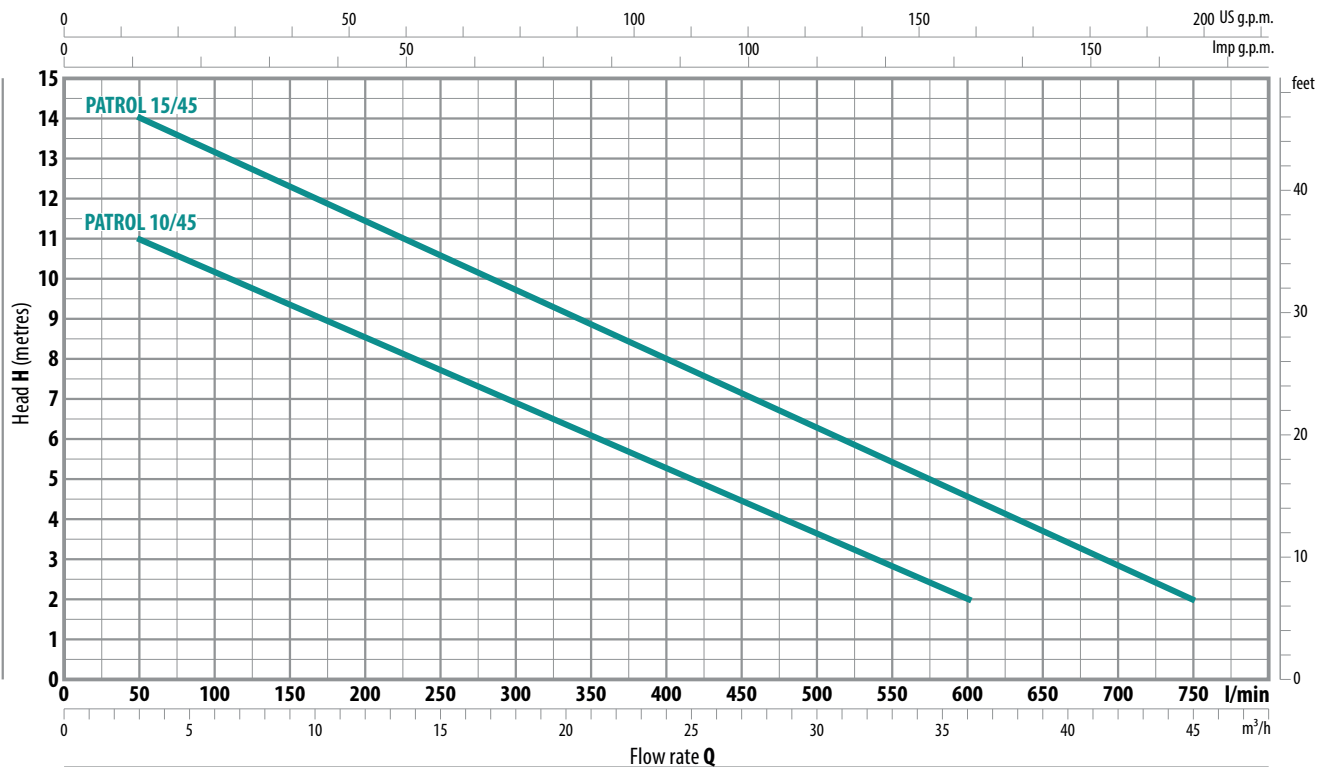
EN 60335-1  
IEC 60335-1  
CEI 61-150

EN 60034-1  
IEC 60034-1  
CEI 2-3



## CHARACTERISTIC CURVES AND PERFORMANCE DATA

50 Hz | n = 2900 min<sup>-1</sup>



MODEL		POWER (P <sub>2</sub> )		Q	Flow rate												
Single-phase	Three-phase	kW	HP		m <sup>3</sup> /h	0	3	6	12	18	24	30	36	42	45		
				l/min	0	50	100	200	300	400	500	600	700	750			
PATROL 10/45M	PATROL 10/45	0.75	1	H metres	12	11	10	8.5	7	5	3.5	2					
PATROL 15/45M	PATROL 15/45	1.1	1.5	H metres	15	14	13	11.5	9.7	8	6.3	4.5	3	2			

Q = Flow rate  
H = Total manometric head

Tolerance of characteristic curves in compliance with EN ISO 9906 Grade 3B.

## INSTALLATION AND USE

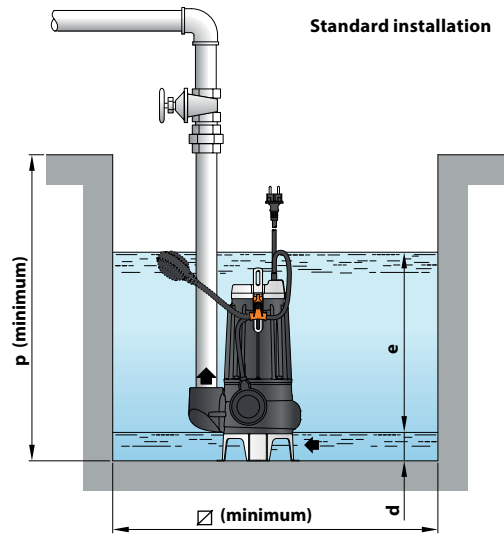
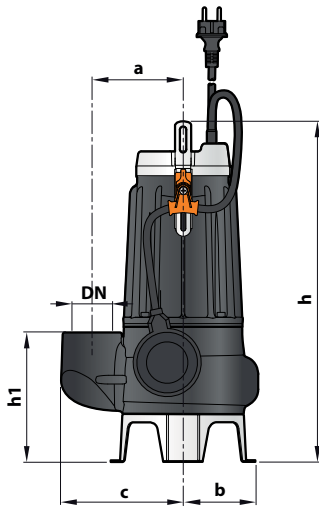
PATROL series pumps, made from heavy gauge cast iron offering exceptional sturdiness, abrasion resistance and durability, come equipped with a DOUBLE-CHANNEL impeller and are capable of pumping liquids containing short fibred suspended solids up to Ø 50 mm.

Recommended for conveying drained water and sewage, waste water, water mixed with mud, groundwater and surface water for applications in blocks of flats, industries, multi-storey and underground car parks, wash areas, etc.

## CONSTRUCTION CHARACTERISTICS

<b>PUMP BODY</b>	Cast iron with an Epoxy Electro Coating treatment, with threaded port in compliance with ISO 228/1
<b>IMPELLER</b>	Precision cast stainless steel AISI 304 DOUBLE-CHANNEL type
<b>MOTOR SHAFT</b>	Stainless steel AISI 431
<b>SHAFT WITH DOUBLE MECHANICAL SEAL SEPARATED BY AN OIL CHAMBER</b>	<b>Motor side:</b> Silicon carbide - Graphite - NBR <b>Pump side:</b> Silicon carbide - Silicon carbide - NBR
<b>POWER CABLE</b>	H07 RN-F type 10 m long power cable (with Schuko plug for single-phase versions only)

## DIMENSIONS AND WEIGHT



MODEL	PORT DN	Passage of solids	DIMENSIONS mm										kg	
			a	b	c	h	h1	d	e	p	Ø	1~	3~	
Single-phase	Three-phase	2"	Ø 50 mm	115	95	155	413	164	60	variable	500	500	19.0	17.9
PATROL 10/45M	PATROL 10/45						428							
PATROL 15/45M	PATROL 15/45												20.2	19.2

## ABSORPTION

MODEL	VOLTAGE		
	Single-phase	230 V	240 V
PATROL 10/45M	5.0 A	4.8 A	10.0 A
PATROL 15/45M	8.2 A	7.9 A	-

MODEL	VOLTAGE			
	Three-phase	230 V	400 V	240 V
PATROL 10/45	3.7 A	2.1 A	3.5 A	2.0 A
PATROL 15/45	5.6 A	3.2 A	5.4 A	3.1 A

## PALLETIZATION

MODEL	GROUPAGE	CONTAINER	
		Single-phase	Three-phase
PATROL 10/45M	PATROL 10/45	54	72
PATROL 15/45M	PATROL 15/45	54	72