

# PartsList D25762K ROTARYHAMMER 1

Item	PartNumber	Qty	PartDescription	GeneralDescription	OtherInfo	RepairInst	Markets
1	492485-00		ARMATURE230V 9kg QS	2 492487-00	FIELD	SA230V 9kg QS	
3	587274-00		SWITCH				
4	489256-00	1	BRUSHPAIR230V	No	QS		
5	330019-30	2	SCREW	No			
6	577746-00	1	RING	No			
7	577745-00	1	BEARING	10x26x8-6001	No		
8	590191-00	1	SLEEVEINSULATING	No			
9	N053065-02	1	HOUSINGMOTOR		Yes		
10	N542569	1	FANSA	No			
10	N542569	1	FANSA	No			
11	330065-08	2	SCREW M4X18T20	No			
15	324119-02	1	SCREW	No			
16	N029960	1	BAFFLEFAN	No			
17	330065-08	19	SCREW M4X18T20	No			
18	N053981	1	GACCMODULE230V	Yes	QS		
19	N022762-00	1	MOTORCOVER	No			
20	N026164	1	ENDCAP	No			
25	N081352	1	LEVERSA	No			
26	000000-00	1	NOLONGERAVAILABLE		No		
27	1005672-00	1	SCREW M5X60HEX	No			
28	N026163-00	1	SUPPORTPLATE	No			
29	1007569-00	1	SPRING	No			
30	1007567-00	1	BUSH	No			
35	1007566-00	1	STOP	No			
36	1007565-00	1	BELLOWS	No			
37	1006579-00	1	SWITCHHANDLE	No			
38	587114-01	1	TRIGGER	No			
39	1006580-00	1	HANDLECOVER	No			
40	N019514	1	TRIGGERLOCK-ON				
45	N041833	1	SETOFLEADWIRES	QS			
46	1008678-00	1	BELLOWS				
47	N038214	2	BUSH				

## PartsList D25762K ROTARYHAMMER 1

Item	PartNumber	Qty	PartDescription	GeneralDescription	OtherInfo	RepairInst	Markets
48	N062047		PIN				
49	N030728		LENS				
50	1008391-00		COVER				
55	821070	1	CORDCLAMP	No			
56	323091-01	1	CORDPROTECTOR	No			
57	582319-41	1	CORDSET(EURO)	No	QS		
58	324007-11	4	SCREWTORX M5x18	No			
100	326467-00	1	DETENT	No			
101	N019533	1	MICROSWITCH	No			
102	324007-11	18	SCREWTORX M5x18	No			
103	488067-00	1	FILTER	No			
104	N027968	1	COVERGEARCASE	No			
105	323711-56	1	ORING 65x2.5	No			
106	323711-48	1	ORING 9x2.5	No			
107	586032-00	1	ECCENTRIC	No			
108	323395-32	2	SPRING	No			
109	N027969	1	SLIDER	No			
110	586038-00	1	SELECTOR	No			
111	585168-05	1	COVER	No	QS		
112	N079390	1	PISTONKIT 9kg10mm	>352010	Yes		
112	492489-00	1	PISTONKIT 9kg12mm	<352010	Yes		
113	N027970	1	RETAINER	No			
116	N029957	1	CLIP	No			
117	487213-00	1	ORING 30x5	No			
118	N091329	1	CRANKSHAFT 9kg10mm.	>352010	Yes		
118	N503087	1	CRANKSHAFT +PistonKit	<352010	No		
119	323711-26	1	ORING 5x1.2	No			
120	N079381	1	HOUSING	No			
130	577744-07	1	ORING 35x2.5	No			
131	586034-00	1	SLIDER				
132	N079395		CYLINDER SteelInc252				
135	584715-00		BUSH				

## PartsList D25762K ROTARYHAMMER 1

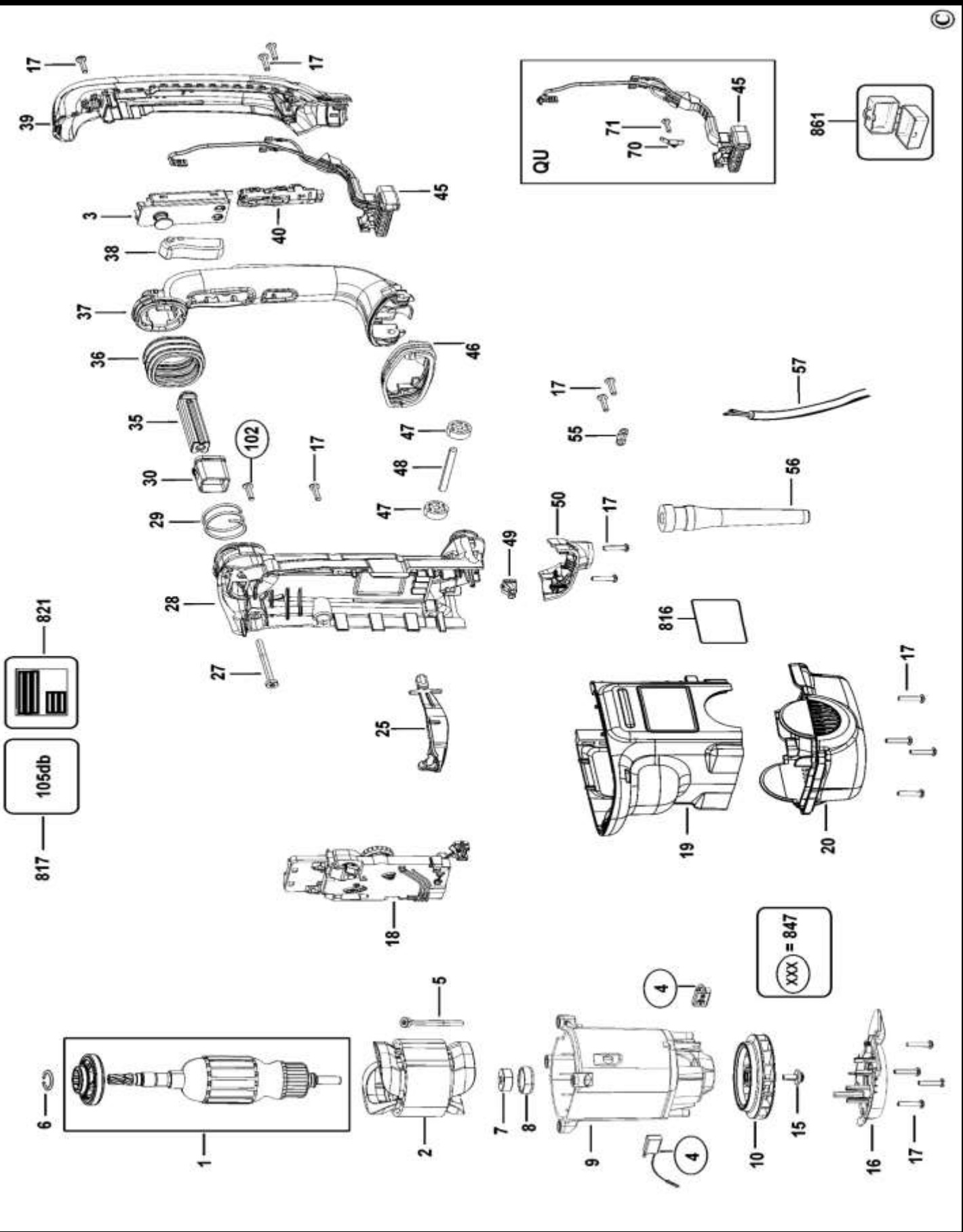
Item	PartNumber	Qty	PartDescription	GeneralDescription	OtherInfo	RepairInst	Markets
136	487296-00		ORING 33X3.5				
137	492501-00		RAM 9kg				
139	478650-00		BUSH				
140	584726-00		SPRING				
150	489181-01	1	SLEEVE	No			
151	N079396	1	BEVELGEAR	No			
152	479974-00	1	SPACER	No			
153	488688-00	1	GEAR	No			
154	577745-02	1	BEARING,BALL	No			
155	586301-00	1	BEARING,NEEDLE	22X30X13	No		
156	489239-00	1	BEARINGBRASSBUSH	No			
157	586022-00	1	SEAL	No			
158	330003-39	1	BEARING	8-22-7-608zz	No		
159	327141-08	1	SEAL	No			
160	N079386	1	COVERGEARCASE	No			
161	586392-00	1	PIN	No			
162	586403-00	1	SEAL	No			
165	N079392	1	CLUTCHSA	2Step		Yes	
192	488097-00	1	RETAINER	No			
193	488095-00	4	SPRING	No			
194	586436-00	2	AXLE	No			
195	490613-00	1	COUNTERWEIGHT	No			
196	488098-00	1	RETAINER	No			
200	487238-01	1	SEAL	No			
201	487205-00	1	RING	Yes			
202	487241-00	1	WASHER	Yes			
203	487244-00	1	RUBBER	No			
204	487236-00	1	SLEEVE	No			
205	579784-00	1	LOCKINGRING	No			
206	487218-00	1	SPRING	No			
207	489672-00	2	KEY				
208	487249-00		BUSH				

# PartsList D25762K ROTARYHAMMER 1

Item	PartNumber	Qty	PartDescription	GeneralDescription	OtherInfo	RepairInst	Markets
209	590377-00		GUIDEBUSH				
210	487216-00		SPRING				

220	584696-00	GUIDE					
221	587081-00	COVERBLACK					
223	949886-32	4	SCREW M8X30				
224	327141-09	1	LIPSEAL	Yes			
225	488679-00	1	BEARINGSET	Yes			
226	488787-00	1	RING	No			
227	492697-00	1	HOUSINGFRONT	9kg	9KG	No	
228	000000-00	1	NOLONGERAVAILABLE			No	
229	589223-00	1	DAMPER	No			
230	584727-00	1	BUSH	No			
240	487287-00	1	ORING		35x5	No	
250	492698-00	1	SPINDLESA	9kg	No		
251	N014007	1	SEAL	No			
252	491004-00	1	ORING 39X3	No			
253	1007543-00	1	BEARINGBUSH	No			
254	579832-00	1	BEATPIECE	No			
255	487270-00	1	BUSH	No			
256	496678-00	1	DAMPER	No			
257	579786-00	1	BUSH	No			
260	N083964	1	HANDLESA	7KG	No		
261	N022227	1	CLAMP	No			
262	N114828	1	HANDLE	No			
263	326553-00	1	LOCKINGRING	No			
264	479337-00	1	STRAP	No			
265	326552-00	1	BUSH	No			
266	N079374	1	PIN	No			
800	578970-04	1	GREASE80GMS		GLK249NLGI00	Yes	
816	N061824	1	BRANDLABEL	No			
817	487395-01	1	LABEL 105db	No			
821	N049507	1	RATINGPLATE			No	QS
836	559651-99		S.T.CIRCLIPREMOVER		CirclipRemovalTool	Yes	
836	559652-99		S.T.CIRCLIPREMOVER	Yes			

837	559653-99	S.T.BEARINGEXTRACTOR	ORing/Bushextracto	Yes		
838	000000-00	NOLONGERAVAILABLE				
840	559659-99	S.T.SEALFITTINGTOOL			Yes	
845	559656-99	1	S.T.SUPPORTJIG		Yes	
847	N082646	1	SERVICEKIT230V	9kg	No	QS
847	N082643	1	SERVICEKIT230V	1stKit	No	QS
861	N072214	1	KITBOX		No	



©

