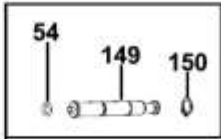


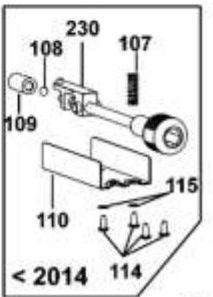
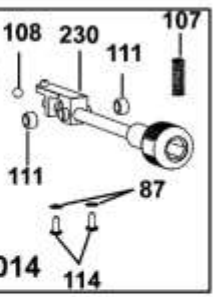
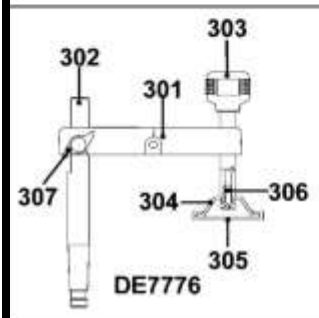
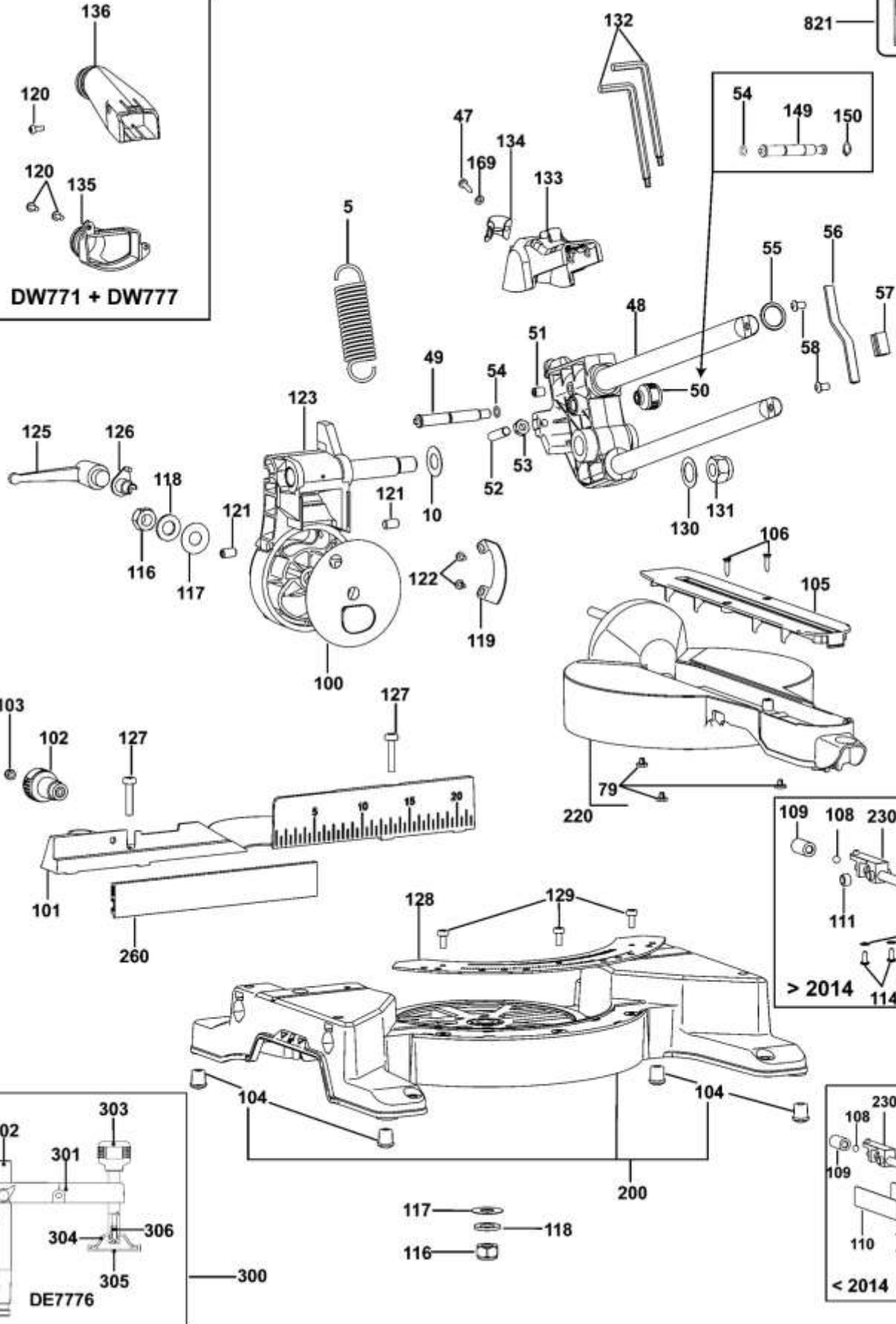
821



54

149

150



PartsList DW770 MITRESAW 1

Item	PartNumber	Qty	PartDescription	GeneralDescription	OtherInfo	RepairInst	Markets
1	330065-06		SCREW M4X12T20				
2	947018-00		INSERT				
3	947638-00		SEAL				
4	946874-00	1	ADJUSTER	No			
5	869142-00	1	SPRING	No			
6	940441-00	1	KEY	No			
7	949886-26	1	SCREW	No			
8	869275-01	1	STOPRUBBER	No			
9	947067-00	1	PLUG	No			
10	869163-01	1	WASHER	No			
11	869159-00	1	FIELD CASE	DeWalt	No		
12	145312-00	1	PLUG	No			
13	330019-19	2	SCREW 4.55*60T20	No			
20	659512-00	1	BRUSHPAIR			No	
22	659513-00	1	BRUSH&HOLDERSA	Inc20		No	
24	330019-13	4	SCREW M4x19-T20	No			
25	391933-00	1	ENDCAP	No			
26	610722-00	1	LABEL	No			
27	869138-00	1	BAFFLEFAN	No			
28	869246-00	1	SPRING	No			
29	949729-02	1	CIRCLIP	No			
30	949729-03	1	CIRCLIP	No			
31	869312-02	1	BRACKETSA	No			
31	869312-02	1	BRACKETSA	No			
32	869302-00	1	ARMATURE230V	No	GB		
32	869302-01	1	ARMATURE115V	No	LX		
33	N110359	1	BEARING	No			
33	N110359	1	BEARING	No			
34	861721-13	1	BEARING	No			

35	869139-00	1	FAN							
36	860094-02	2	SCREW M4x8							
37	605040-59	1	BEARING	12x28x8-6001RS						
38	861721-10		BEARING	60032RS						
39	869316-00		SPINDLE							
40	N411968		CABLESA	GB						
40	N411969		CABLESA	LX						
41	326057-00	1	TERMINALBLOCK		No		GB			
41	656549-00	1	TERMINALBLOCK		No		LX			
42	394375-02P		1 SWITCH		No					
43	384127-01	2	SCREW T15		No					
44	869334-00	1	CAPACITORS	230v	No		GB			
44	869334-01	1	CAPACITORS	115v	No		LX			
45	869277-00	1	LEAD	RED	No					
46	330045-10	4	SCREW PH/TTM	4X35	No					
47	949896-12	4	SCREW		No					
48	869318-00	1	RAILSA		No					
49	869144-00	1	PIN	<482013No						
50	869203-00	1	KNOB	<482013No						
51	330022-17	1	GRUBSCREW		No					
52	760242-00	1	SCREW	M8x30	No					
53	860083-14	1	NUT	M8	No					
54	949746-02	1	ORING		No					
55	869141-00	1	ORING	18.6X3.5	No					
56	947613-00	1	BRACKET		No					
57	869275-00	1	BUMPER		No					
58	949609-03	2	SCREW		No					
59	869147-00	1	DRIVEPULLEY		No					
60	869150-00	1	BELTGROOVED		No					
61	869149-00	1	PULLEY		No					
62	869140-00	1	LOCKINGKNOB		No					
63	860083-12	1	NUTM6		No	64	868082-00	1	SPRING	No

65	761306-00	1	BUMPER	
66	949896-13	1	SCREW	
67	760296-01	1	PIVOT	
68	869161-00		SPRINGTORSION	
69	869192-00		BUSH	
70	760270-01		WASHER	
71	949727-04		CIRCLIP	
72	869166-00	1	LOCKINGDEVICE	No
73	N295980	1	HANDLE&COVER	No
75	869154-00	1	GUARDLOWER	No
76	861367-02	1	ROLLER	No
77	760295-01	1	SPRING	No
78	860077-01	2	WASHER	No
79	760298-01	2	INSERT	No
80	860074-01	1	WASHER	No
81	943022-01	1	SCREW 3.5X10	No
82	N464700	1	LEVER	No
83	869156-00	1	PIN	No
84	869295-00	1	BUSH	No
87	939625-00	1	WASHER	No
88	930076-01	1	SCREW	No
89	860073-00	1	WASHER	No
90	860084-20	3	SCREW	No
91	949896-10	5	SCREW	No
92	949894-04	1	SCREW	No
93	860094-10	2	SCREW	No
94	N292720	1	INNERFLANGE	No
96	869292-00	1	OUTERFLANGE	No
97	869245-00	1	SCREW	No
98	869158-00	1	GUARDUPPER	No
99	N456928	1	SCREW 3.9X22T	No
100	947614-00	1	PLATE	No

101	N785466	1	FENCE	No
102	869195-00	1	KNOB	
103	860092-03	1	NUTM5	
104	868777-00	4	FOOT	
105	868688-01		INSERT	

106	860205-08	2	SCREW		
107	868778-00	1	SPRING		
108	868708-00	1	BALL		
109	868707-01	1	BUSH	No	
110	868737-00	1	PLATE	No	
114	868966-02	4	SCREW	No	
115	860074-01	2	WASHER		No
116	860092-07	1	NUT	No	
117	949705-01	2	WASHER		No
118	860073-05	2	WASHER		No
119	869091-00	1	SCALE	No	
120	860094-03	3	SCREW		No
121	949743-02	2	SCREW M8x14mm		No
122	949894-12	2	SCREW	No	
123	869319-00	1	SEGMENTS A		No
125	861840-03	1	LEVER	No	
126	868680-00	1	INSERT	No	
127	330045-26	2	SCREW	No	
128	868677-00	1	SCALE	No	
129	330045-49	4	SCREW T25M5x12		No
130	869163-00	1	WASHER		No
131	860092-09	1	NUT	No	
132	868682-00	2	HEXKEY	4/6mm	No
133	N295979	1	GUARD LOWER		No
134	869310-00	1	INLET	No	
149	N325259	1	PIN	>482013	No
150	860079-02	1	CIRCLIP		>482013 No
169	249233-00	1	WASHER		No
200	869313-00	1	TABLE SA		No
220	N717627	1	TABLE ROTARY		
230	868943-02	1	LOCKING DEVICE		
250	N467382	1	LEVER SA		

260	868743-02		FENCE				
270	869045-00	1	FIELD230V		2Lead		GB
270	869045-01	1	FIELD115V				LX
300	869311-00	1	CLAMPSA				
301	869306-00	1	ARM	No			
302	869307-00	1	SHAFT	No			
303	869308-00	1	KNOB	No			
304	630068-00	1	SUPPORT	No			
305	630085-00	1	GRIP	No			
306	330045-55	1	SCREW METAL THD FORM		No		
307	326573-01	1	SCREWWING	No			
821	N034186	1	RATINGPLATE			No	GB
821	N034187	1	RATINGPLATE			No	LX