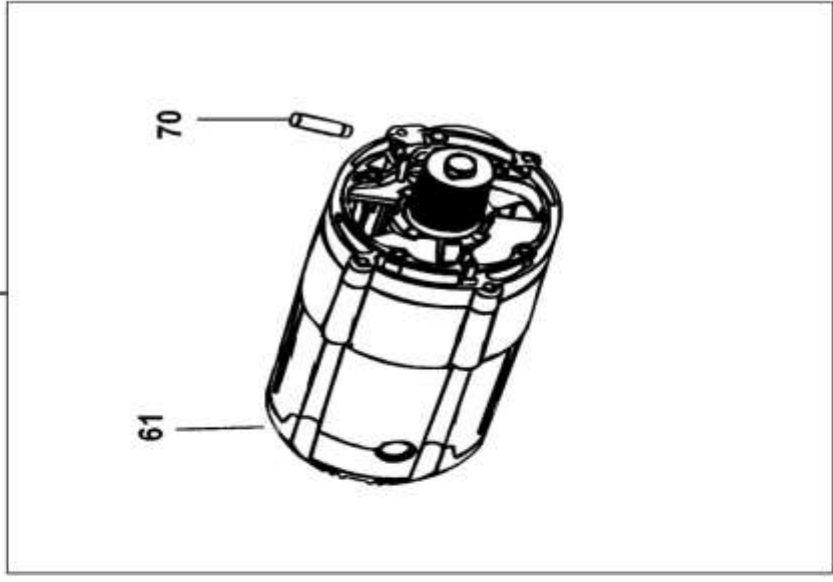
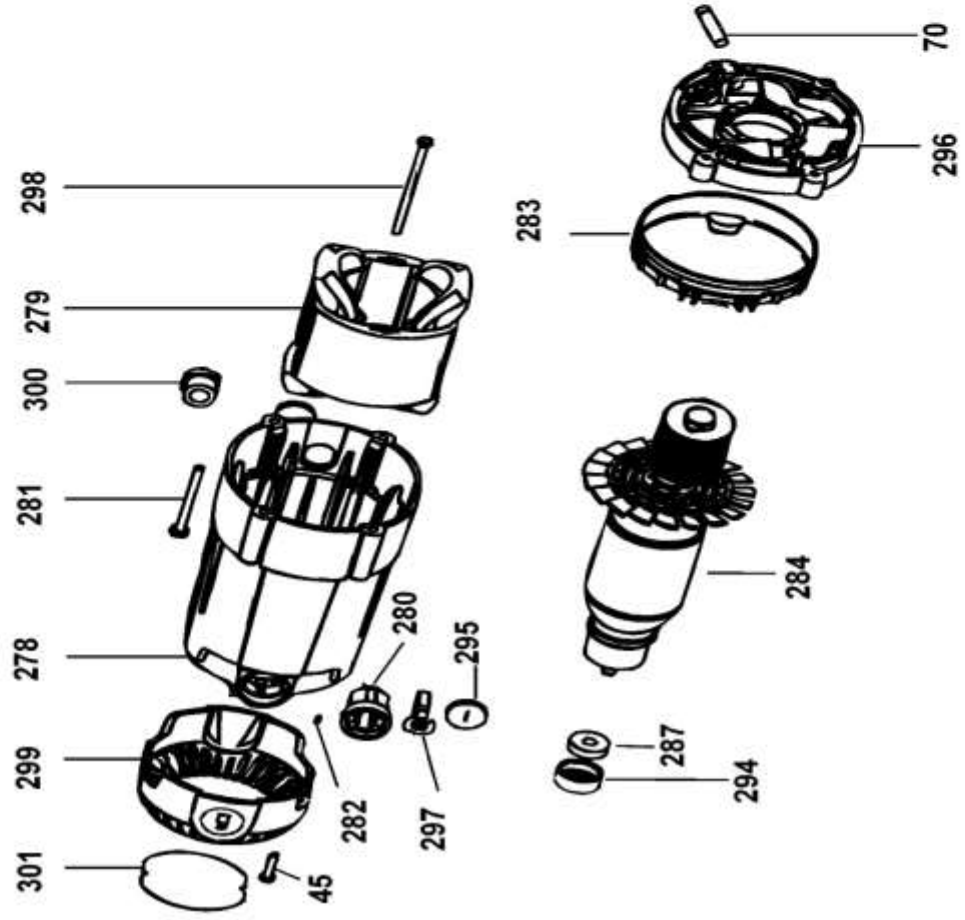


BLAC MOTOR



LX - 115 VOLTS



PartsList D27105 COMBINATIONS AW 2

1	98094-35	4	SCREW M5x35
2	147107-06	1	KNOB
3	152852-00	1	BOLT
4	N453995	1	BELT
5	153639-00	4	SCREW
6	398472-00	2	SPRING TORSION
7	605603-00	1	LEVER
8	606278-00	1	LINKAGE SA
9	606279-00	1	PLATE
10	607221-00	1	PLATE
11	330045-05	11	SCREW M4X10T20
12	618480-00	1	WASHER FELT
13	153561-00	1	LOCKING PIN
14	385915-01	4	SCREW T20
15	391315-00	1	GASKET
16	393071-00	1	PLATE
17	868082-00	2	SPRING
26	605040-59	1	BEARING
27	330003-66	1	BEARING, BALL
28	627904-00	1	BEARING PLATE
29	391616-00	1	BEARING NEEDLE
30	621759-00	1	GEAR CASE COVER
31	869219-06	1	SPINDLE & GEARS SA
32	330045-49	7	SCREW T25M5x12
33	869219-07	1	SPINDLE & GEARS SA
34	N105443	1	PULLEY SA
35	612349-00	1	ARM
36	148608-00	2	INSERT
37	386780-00	2	BEARING
38	621329-00	1	IDENTITY LABEL

39	637691-00	1	SWITCH	230V
39	638639-00	1	SWITCH	115V
40	616726-00	1	RETAINER	
41	612350-00		CORDCLAMP	
42	613781-00		COVER	
43	605786-01		HOUSINGSWITCH	
44	638634-00	1	BOOT	
45	330019-13	5	SCREW M4x19-T20	
47	000000-00	1	NOLONGERAVAILABLE	
48	326057-00	1	TERMINALBLOCK	
49	N380405	2	INSERT	
50	330013-22	5	SCREW	
51	330060-85	1	CORDSET	
51	330061-22	1	CORDSET	
52	639901-00	1	CABLESA HARNESS	
53	639912-00	1	CABLESA HARNESS	
57	N377629	1	SWITCHCOVER	
58	607854-00	1	PIN	
59	613782-01	1	SPRINGTORSION	
60	607855-00	1	HANDLESA	
61	399125-00	1	COVER	
63	384127-01	4	SCREW T15	
64	N071751	1	MOTORS	
65	860091-04	4	SCREW M4*10FLATHD	
66	860094-03	2	SCREW	
67	330045-15	7	SCREW M5X20T25THDFORM	
68	330045-23	7	SCREW.SPECIAL	
69	606014-00	1	SPRING	
70	394034-00	1	SCREW T25	
71	330045-32	5	SCREW M8X20T40	
72	621647-00	3	PLATE	
73	N162216	1	FENCE	

74	869233-00	1	TABLE
75	614822-00	1	SCALE
76	398999-00	1	DETENT
77	615876-00	4	SCREW Hex
78	607103-00	2	PLATE
79	98104-16	4	SCREW
80	N162168	1	NOSE
81	605799-00	1	ROD
82	399162-00	1	ACTUATOR
84	399009-00	1	PIN
85	860094-00	2	SCREW.TEMP M5x15
86	606898-00	1	DETENT SPRING
87	860092-02	3	NUT
88	606900-00	1	PLATE
89	606896-00	1	PAD
90	617561-00	7	SCREW M8,
91	606897-00	1	COVER
93	860205-01	4	SCREW M5
94	399004-00	1	KNOB
95	605785-00	1	BUTTON
96	611991-00	1	POINTER
98	606198-00	1	KNOB
99	N409486	4	SCREW
100	607129-00	3	PAD
101	N190890	1	BACKFENCE
102	610251-00	1	KNOB
103	610250-00	1	SPRING
104	N399933	5	SCREW M5x30T30Patch
105	610710-00	1	WARNINGLABEL
106	941586-00	3	SPRING
107	153451-00	1	BEARINGTHRUST
109	153655-00	3	WASHER

110	153781-00	3	WASHER
111	153797-03	2	SCREW
112	330021-10	1	NUT M10
113	391347-00	3	PAWL
115	869233-02	1	ROTARYTABLE
116	399004-01		KNOB
117	605653-00		TRUNNION
118	606152-00		POINTER
119	618660-00	1	BEVELSCALE
120	606192-00	1	POINTER
121	606193-00	1	BEVELSCALE
122	606359-00	1	STUD
123	606362-00	1	SPACER
124	610707-00	2	WARNINGLABEL
125	613709-00	1	LATCH
126	860094-06	6	SCREW
127	153576-03	1	SCREW
129	615589-00	1	ADJUSTER
131	615777-00	1	PIVOTSHAFT
132	148296-00	1	WASHER
133	146732-00	2	SPACER
134	619571-00	1	SPRING
135	146753-00	1	BUSHING
137	609837-00	1	ADJUSTERHEIGHT
138	606689-00	1	CRANK
139	607754-00	1	CARRIER
140	604107-00	14	BALLSTEEL
141	609840-00	1	CLAMP
143	610254-00	1	BOLT
144	614072-00	2	PIN
145	606688-00	1	SPRING
146	N166053	1	DUSTPORT

148	615459-00	1	PLATE
149	N041976	1	BACKPLATE
150	609514-00	1	BUMPER
151	146750-03	1	RETAININGPLATE
152	609314-00	1	SLEEVE
153	609496-00	1	SPRINGTORSION
155	N298999		GUARD
156	146774-00	2	ROLLER
157	604728-00	2	LOCKINGRING
159	394589-01	2	SCREW T30
160	N225776	1	LEVERSA
161	146740-02	3	SLEEVE
162	605590-00	1	SCREW
163	610556-01	1	BELTCOVER
165	145344-01	1	BLADEBOLT M8X20LH
166	616319-00	1	WASHERINNERCLAMP
167	604765-00	1	CLAMPOUTER
168	150075-00	2	SCREW M6x10
169	605593-00	1	GUARD
170	607536-00	1	WASHER
171	655037-00	1	FRAMERH
171	656421-00	1	FSOKIT
173	391358-01	1	HOLDER
174	385567-03	1	KEY TX306.0mm
175	608563-01	1	WRENCHSPECIAL
176	615993-00	2	RETAINER
177	946866-00	2	SPRING
179	N181532	1	GUARDKIT
179	N181532	1	GUARDKIT Inc179+226
180	609497-00	1	SHIM
181	607181-00	4	SCREW M8
182	616634-00	4	BUMPER

183	860083-15	4	NUT	M8	
185	606233-00		1	LOCK	
186	606232-00		1	LOCK	
187	605601-01	1	CORDCLAMP		
188	607132-00	1	PIN		
189	330045-55	2	SCREW METAL THD FORM		
190	153379-00	4	BEARING BLOCK		
191	610574-00	M5X25			
192	611094-00	ROD			
193	861090-00	SCREW			
194	860073-14	3	WASHER		
195	613233-00	2	FRONT LEG		
196	655033-00	2	REAR LEG		
196	655033-00	2	REAR LEG		
197	861073-00	4	FOOT		
198	N013623	4	CLAMP		
199	618362-00	4	KNOB		
200	98131-90	4	CARRIAGE BOLT	M10*1.5	
201	861091-00	3	CABLE CLAMP		
202	860112-11	1	SPRING		
204	656421-01	1	FSOKIT		
204	655032-00	1	FRAME LH		
205	615994-00	1	CLIP		
206	860610-01	1	PUSH ROD		
207	616592-00	2	BOLT	M8x16	
208	604537-00	2	TUBE		
209	942447-00	2	SCREW	M12	
210	611623-00	2	AXLE STUB	M12	
211	98197-08	4	WASHER	M12	
212	330045-50	3	SCREW		
213	605789-00	1	FENCE		
214	386616-00	1	FENCE		

215	147107-00	2	KNOB	
216	611712-00	1	PLATE	
217	611921-00	1	BRACKET	
218	605794-00	1	LEVERLOCK	
219	605796-00	1	BRACKET	
220	605795-00	1	CLEVISPIN	
221	392948-00	1	WASHERCLAMP	
222	605798-00	1	POINTER	
223	330045-05		M4X10T20	
224	612284-00	2	NUT	M8
225	605790-00	2	WASHER	
226	N181532	1	GUARDKIT	Inc179+226
226	N181532	1	GUARDKIT	Inc179+226
227	N060425	1	GUARD	inc3x271
228	612441-00	2	WHEEL	150MM
229	941602-00	2	WASHER	24X8MM
230	N219072	4	FOOT	
231	860083-14	4	NUT	M8
232	860073-03	4	WASHERM8	
233	860085-20	4	SCREW	
234	621653-00	1	SHOE	
235	610252-00	1	CLAMP	
236	330045-14	4	SCREW	M5x16mm-T25
237	623499-00	1	WASHER	
238	860075-00	1	WASHER	6.4x16x1.5
239	617108-00	1	IDENTITYLABEL	
240	607182-00	2	BUSHING	
241	860078-02	4	WASHER	
243	620327-00	1	SPRINGCLIP	
244	624373-00	1	IDENTITYLABEL	
245	931997-00	1	SCREW	
246	720959-00	1	WASHER	M6ID

248	720929-00	1	WINGNUT	
248	720929-00	1	WINGNUT	
249	860092-05	3	NUT	M8
250	394375-02P	1	SWITCH	
250	394375-02P	1	SWITCH	
251	330021-08	1	NUT	
270	626334-00	1	SPACER	
271	868303-00	3	FASTENER	
272	626191-00	1	LABEL	
273	330019-13	4	M4x19-T20	
274	627449-01	1	CABLESA	2WIRE
275	611713-01	1	FENCE	No
276	949701-05	4	SCREW	M8x20
277	860083-15	4	NUT	M8
278	621067-01	1	FIELD	CASE
279	627856-00	1	FIELD	115V
280	622440-00	2	BRUSH	HOLDER
281	98094-55	4	SCREW	M5X55mmT25
282	330022-16	2	SCREW	
283	391375-00	1	BAFFLE	FAN
284	000000-00	1	NOLONGER	AVAILABLE
287	330003-60	1	BEARING	
294	650234-00	1	SLEEVE	INSULATING
295	622441-00	2	BRUSH	CAP
296	391282-00	1	MOUNTING	BRACKET
297	N088936	1	BRUSH	PAIRSA 115V/230V
298	330019-34	2	SCREW	
299	621118-00	1	END	CAP
300	605155-00	1	BUSHING	
301	000000-00	1	NOLONGER	AVAILABLE
302	635797-00	1	LASER	HEADSA D27105V
303	627631-00	1	SA	POWERSUPPLY D27105V

304	615498-00	1	WINDOW	D27105V
305	635797-00	1	LASERHEADSA	D27105V
306	860094-03	4	SCREW	D27105V
800	5140061-28	1	GREASE	
821	647903-01	1	RATINGPLATE	
821	647903-03	1	RATINGPLATE	
876	N071751	1	MOTORSA	
878	N071753	1	MOTORSA	