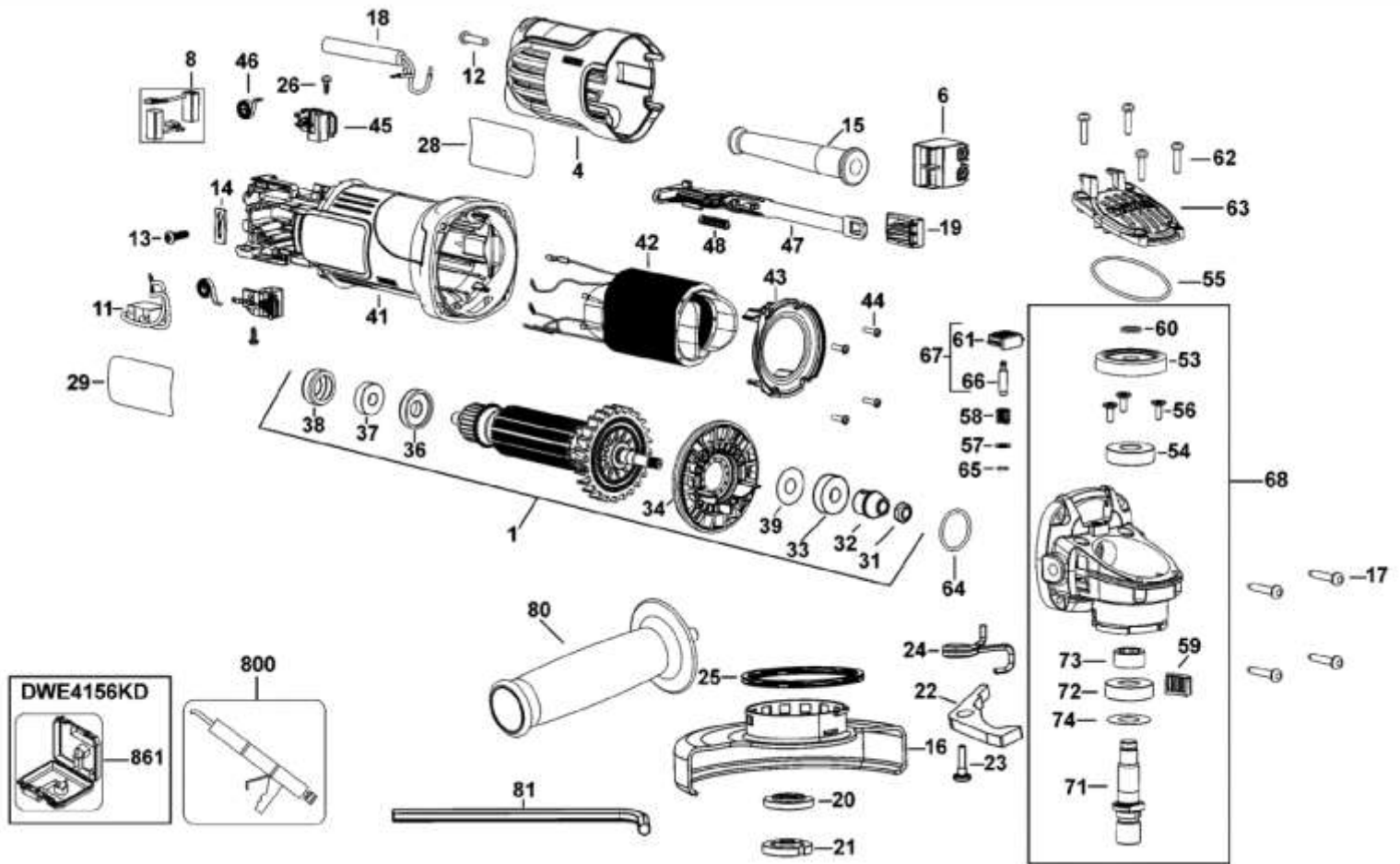


Part Lists & Sheme Angle grinder 900 W, DEWALT DWE4157



Part Lists & Sheme Angle grinder 900 W DWE4157

Item No.	Product Number	Qty	Per	Product Description	Type
12	N017839	1		SCREW	M4 x 17mm T15
13	562097-00	1		SCREW	4.2 x 13mm
17	330065-31	4		PLASTIC SCREW	M4 x 22 - T15
19	N097844	1		BUTTON	
22	N136731	1		LEVER	
23	N137733	1		SCREW	M4 X 0.7 TRIROUNDULA
24	N105579	1		SPRING	
25	N135116	1		WASHER SPRING	
26	593478-00	2		SCREW	M3 X 8
28	N149175	1		BRAND LABEL	
31	604484-00	1		NUT	M6
32	N153125	1		PINION	
33	N175104	1		BEARING	
34	N132042	1		BAFFLE	
36	N101228	1		WASHER	
37	N130916	1		BEARING	
38	641823-00	1		SLEEVE	
39	N213812	1		WASHER	
43	N132864	1		BAFFLE	
44	330065-25	4		SCREW	M3 x 9 - T10
45	N097702	2		BRUSHBOX	
46	N097703	2		SPRING	
48	N093410	1		SPRING	
53	N153126	1		GEAR	
54	605040-24	1		BEARING	6001
55	N094024	1		O RING	
56	N118088	3		SCREW	M3 X 0.5
57	N094651	1		WASHER	
58	N092954	1		SPRING	

59	N126708	1	INSERT	
60	444793-00	1	CIRCLIP	
61	N126105	1	BUTTON	
62	N122904	4	SCREW	M3.5 X 0.6
63	N116180	1	GEARCASE COVER	
64	N119639	1	O RING	
65	N094012	1	O RING	
66	N114592	1	SPINDLE LOCK	
67	N181767	1	SPINDLE LOCK	
72	605040-24	1	BEARING	6001
73	N095815	1	SLEEVE	
74	638229-00	1	WASHER	
800	583534-00	1	GREASE 50 GMS	Rheolube 380G1