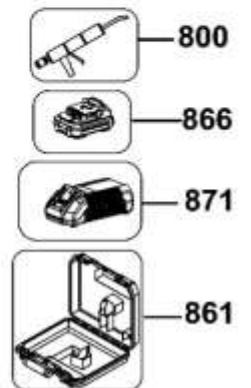
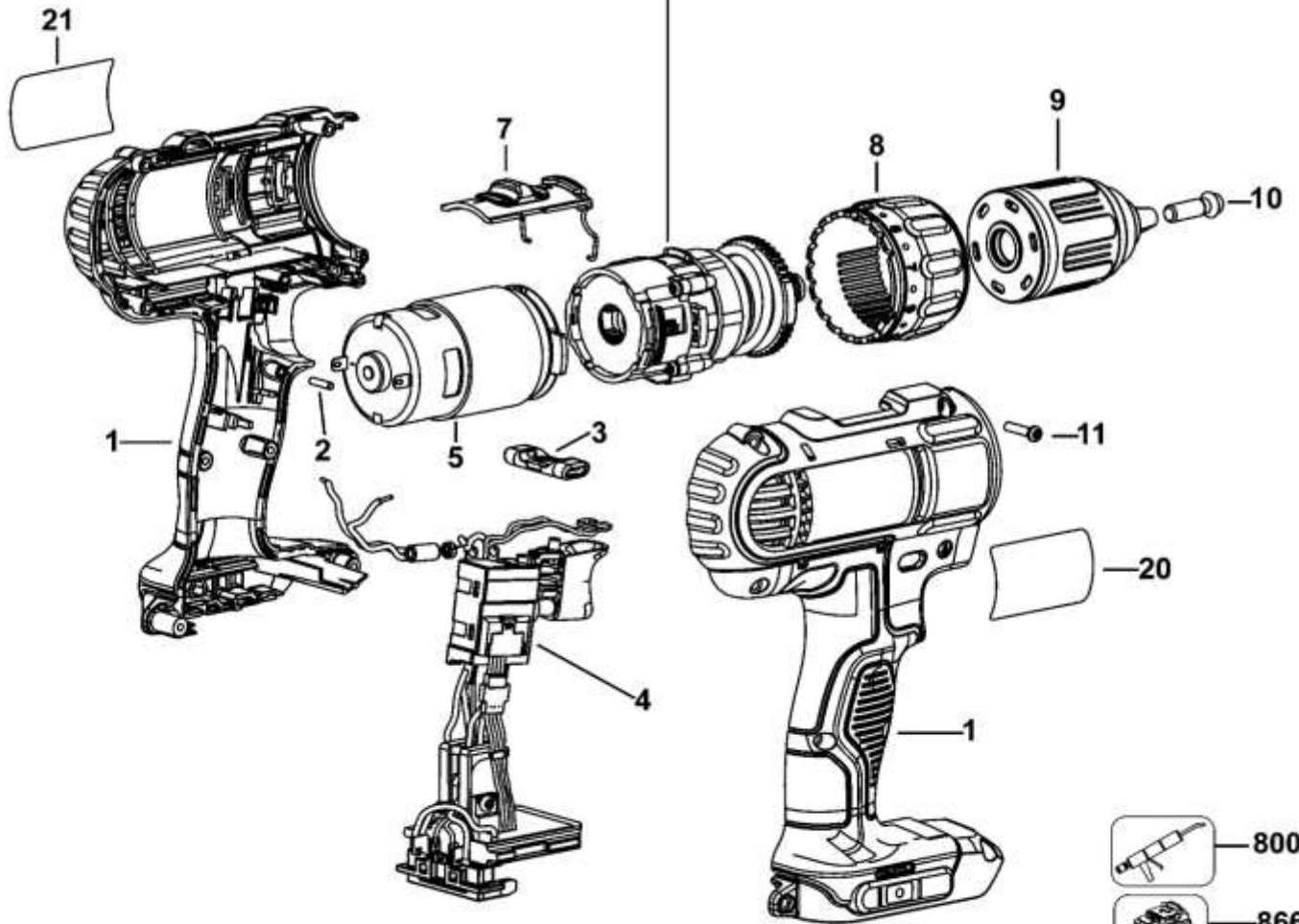
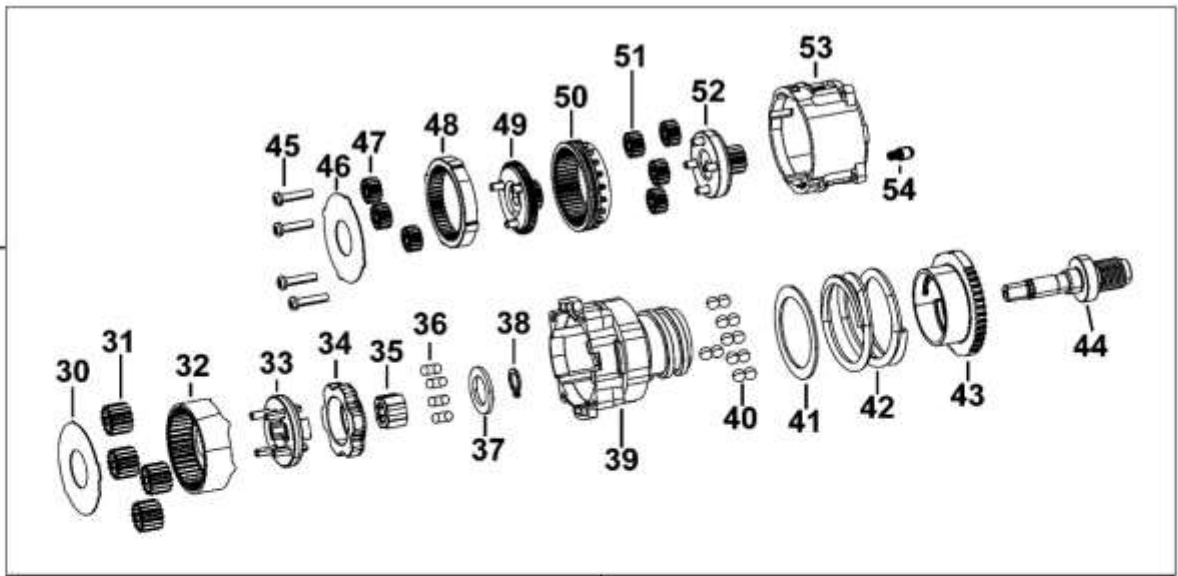


6



PartsList DCD731 CORDLESSDRILL 1

| Item | PartNumber | Qty | PartDescription | GeneralDescription | OtherInfo | RepairInst | Markets |
|------|------------|-----|-----------------|--------------------|-----------|------------|---------|
| 1 | N371819 | 1 | CLAMSHELLSET | 14.4V | | No | |
| 2 | N071836 | 1 | ROLLPIN | | | No | |
| 3 | N151983 | 1 | ACTUATORFWD/REV | | | No | |
| 5 | N382016 | 1 | MOTORSA | | | No | |
| 6 | N279940 | 1 | TRANSMISSIONSA | | | No | |
| 7 | N153906 | 1 | SELECTORSA | | | No | |
| 8 | N207252 | 1 | COLLAR | | | No | |
| 9 | N311560 | 1 | CHUCKKEYLESS | 10MM | | No | |
| 10 | N092854 | 1 | SCREW | LHTHD1/4-28 | | No | |
| 11 | 682211-00 | 8 | SCREW | | | No | |
| 21 | N309544 | 1 | BRANDLABEL | | | No | |
| 30 | N225459 | 1 | PLATE | | | No | |
| 31 | N215913 | 4 | GEAR | | | No | |
| 32 | N215912 | 1 | GEAR | | | No | |
| 33 | N362740 | 1 | CARRIER | 3RDRED | | No | |
| 34 | N209232 | 1 | LOCKINGRING | | | No | |
| 35 | N218992 | 1 | ANVIL | | | No | |
| 36 | N236379 | 4 | PIN | | | No | |
| 37 | N223513 | 1 | WASHER | | | No | |
| 38 | N034090 | 1 | RETAINER | 8MM | | No | |
| 39 | N376647 | 1 | HOUSINGSA | | | No | |
| 40 | 386690-00 | 12 | BALL | | | No | |
| 41 | N256699 | 1 | WASHER | | | No | |
| 42 | N210954 | 1 | SPRING | | | No | |
| 43 | N203616 | 1 | SELECTOR | | | No | |
| 44 | N376648 | 1 | SPINDLESA | | | No | |
| 45 | N036457 | 4 | SCREW | | | No | |
| 45 | N317559 | 4 | SCREW | | | No | |
| 46 | N225458 | 1 | PLATE | | | No | |
| 47 | N215916 | 3 | GEAR | | | No | |
| 48 | N215917 | 1 | GEAR | | | No | |

| | | | | | |
|-----|-----------|---|---------|--------|----|
| 49 | N362719 | 1 | CARRIER | 1STRED | No |
| 50 | N256760 | 1 | GEAR | | No |
| 51 | N215916 | 4 | GEAR | | No |
| 52 | N362739 | 1 | CARRIER | 2NDRED | No |
| 53 | N218316 | 1 | HOUSING | | No |
| 54 | 326467-00 | 1 | DETENT | | No |
| 861 | N237399 | 1 | KITBOX | | No |