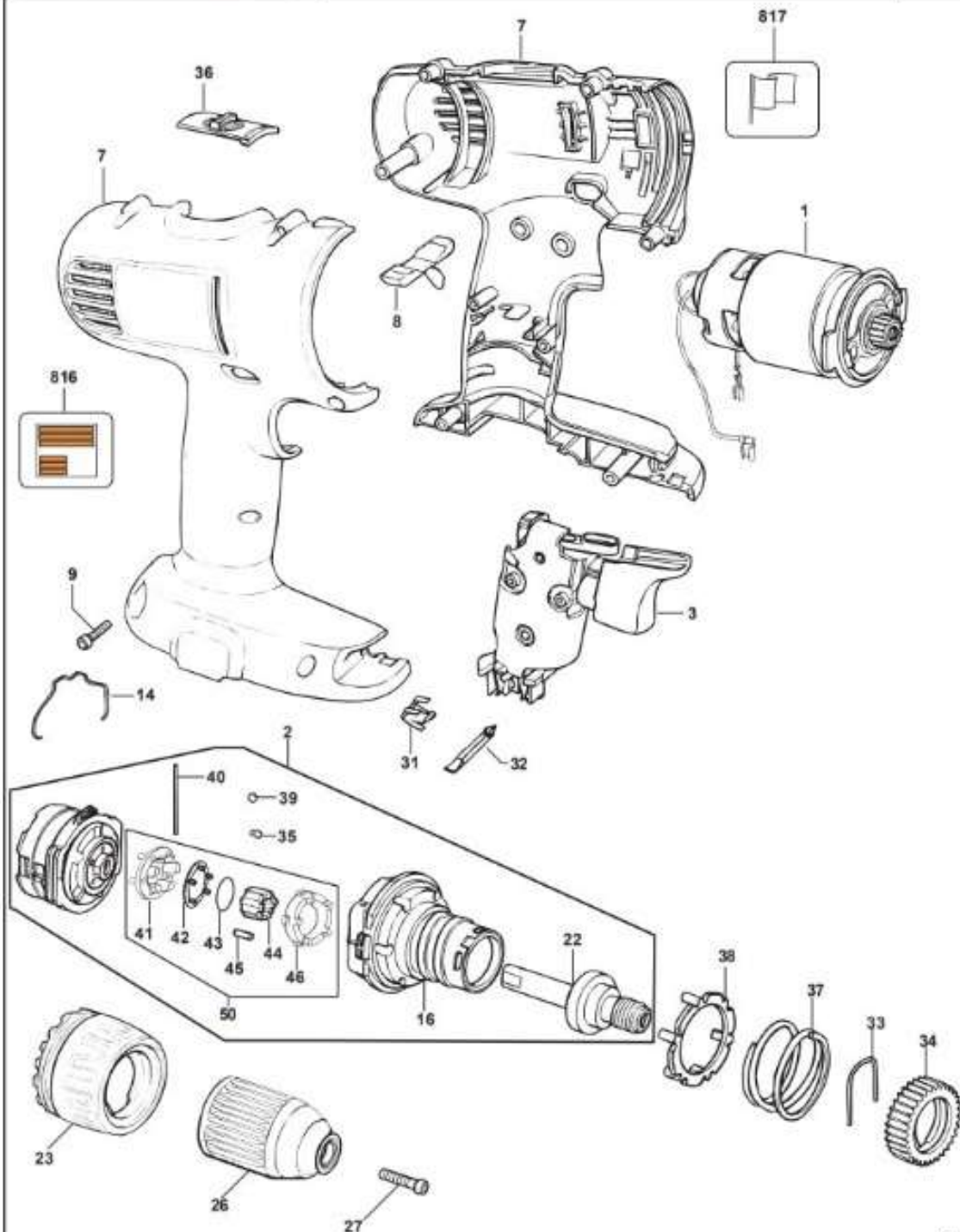


DEWALT

DC727 / 728 / 729 / 756 / 757 / 759.

TYP.
10



E13891 / 477046-00

21 - 07 - 04

©

Black & Decker Bill of Materials - PARTS LIST

Product Number DC729----A		Product Description CORDLESS DRILL			Type Identifier TYPE 10		
Item Number	Quantity Per	Part Number	Part Description	Variant Description	Type Description	Market Codes	Refer to R.I.
1	1	579731-02	MOTOR & PINION	18 volt			No
2	1	579730-01	GEARBOX SA				No
3	1	152274-15	SWITCH	18 Volt			No
7	1	590261-00	HOUSING PAIR	18 V			No
8	1	391895-00	LEVER				No
9	8	682211-00	SCREW				No
14	1	391896-00	SPRING CLIP				No
16	1	621215-00	HOUSING				No
22	1	590262-00	SPINDLE SA				No
23	1	618335-00	COLLAR				No
26	1	330075-60	CHUCK 10MM	Keyless			No
27	1	605256-01	SCREW	1/4 - 28 UNF (LH)			No
31	1	148354-03	HOLDER				No
32	1	274716	BIT SCREWDRIVER				No
33	1	798959-00	CLIP				No
34	1	391911-00	ADJUSTER				No
35	1	326467-00	DETENT				No
36	1	392096-02	SLIDER SA				No
37	1	391912-00	SPRING				No
38	1	397303-00	PLATE				No
39	6	798699-00	BALL				No
40	2	392094-00	PIN				No
41	1	394347-03	CARRIER SA				No
42	1	624164-00	CAGE				No
43	1	061145-00	SEAL				No
44	1	622041-00	ANVIL				No
45	1	330041-35	PIN				No
46	1	621211-00	LOCK				No
50	1	590263-00	SPINDLE LOCK				No
816	1	569037-00	RATING PLATE	DeWalt Blank			No
817	1	395657-00	LABEL				No