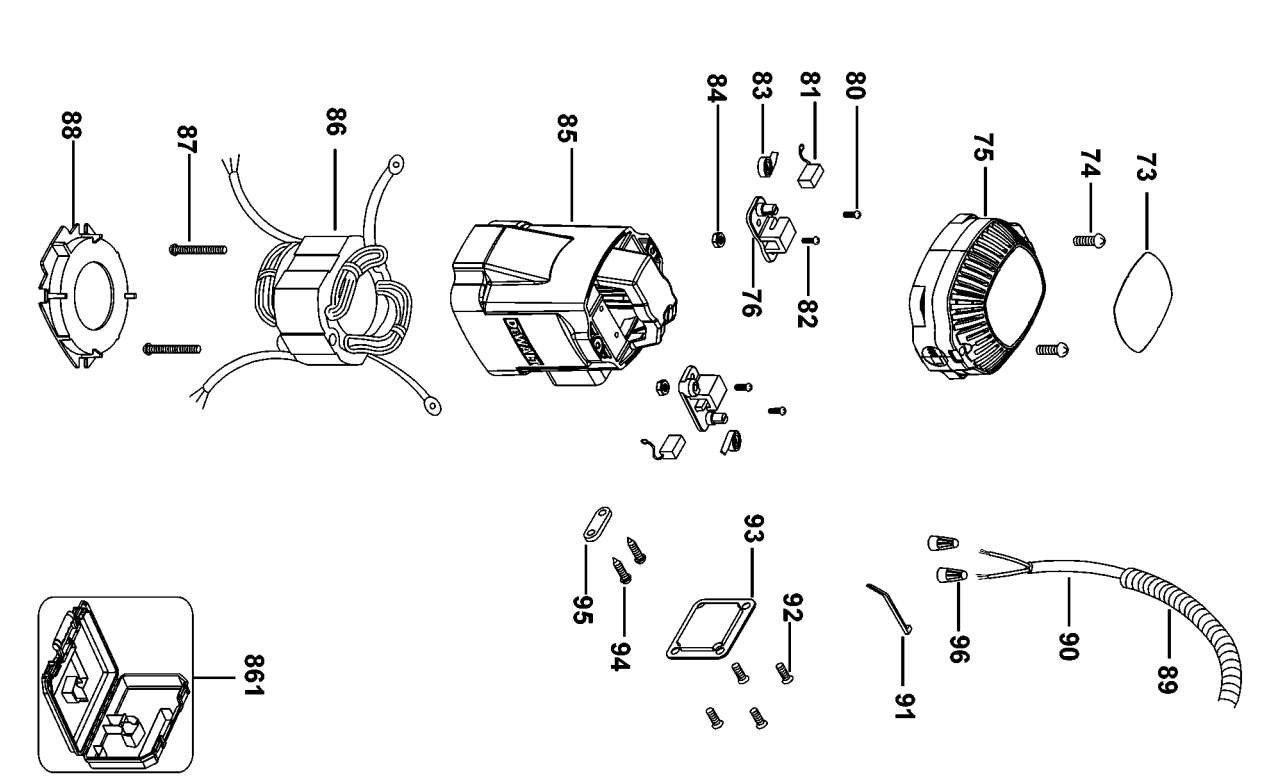
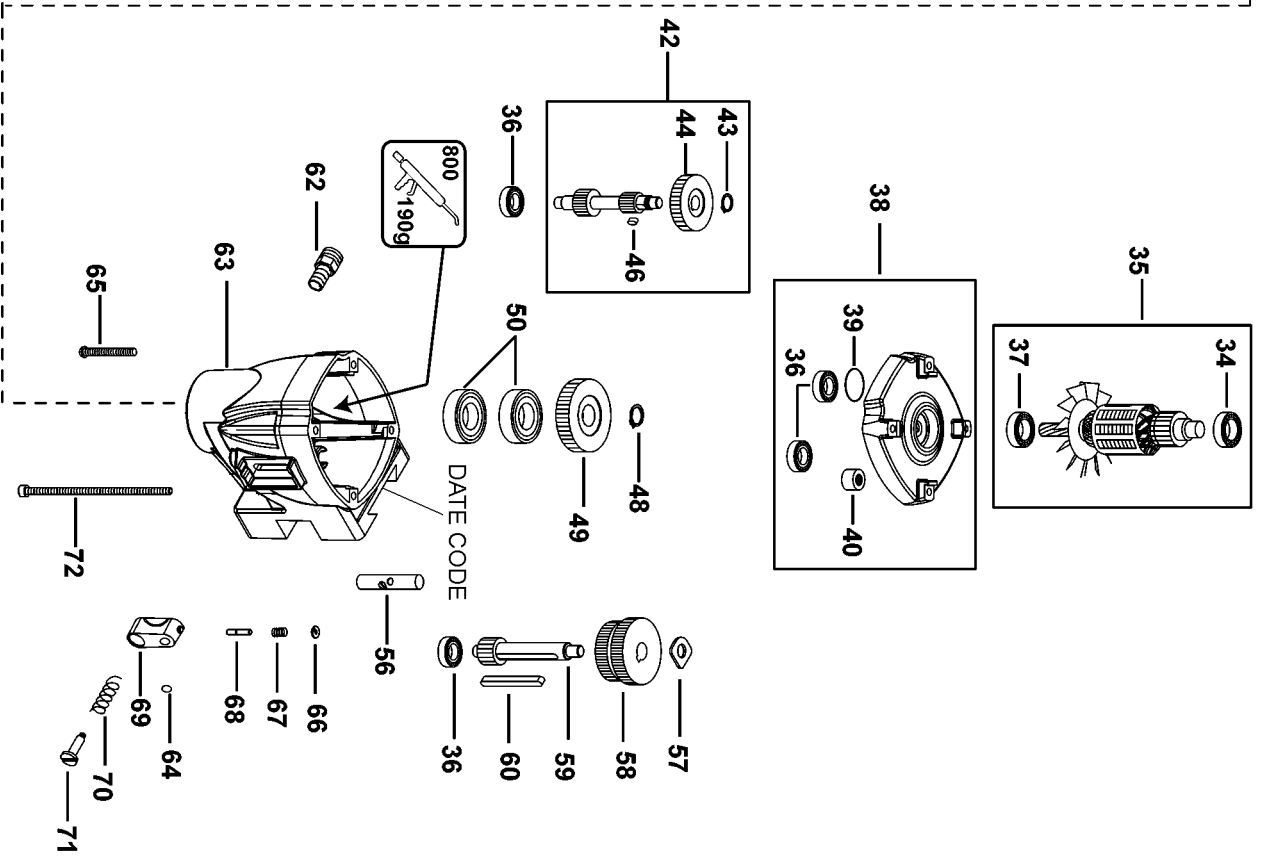
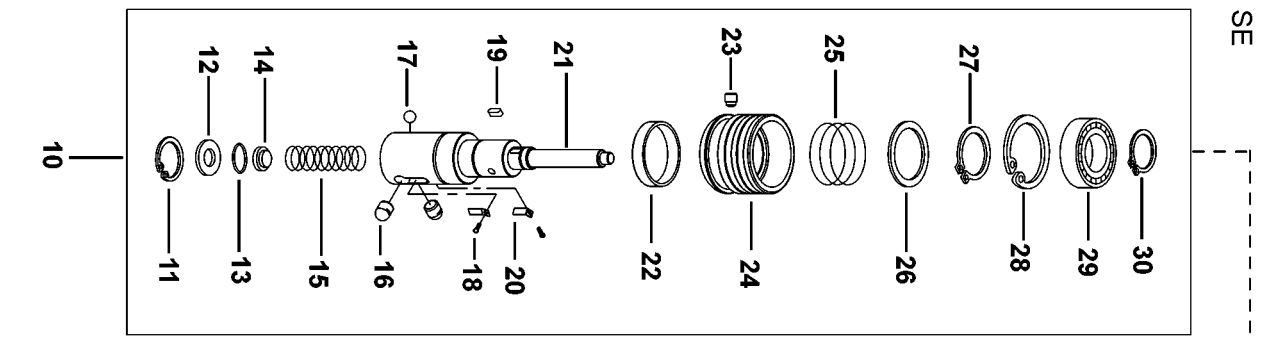
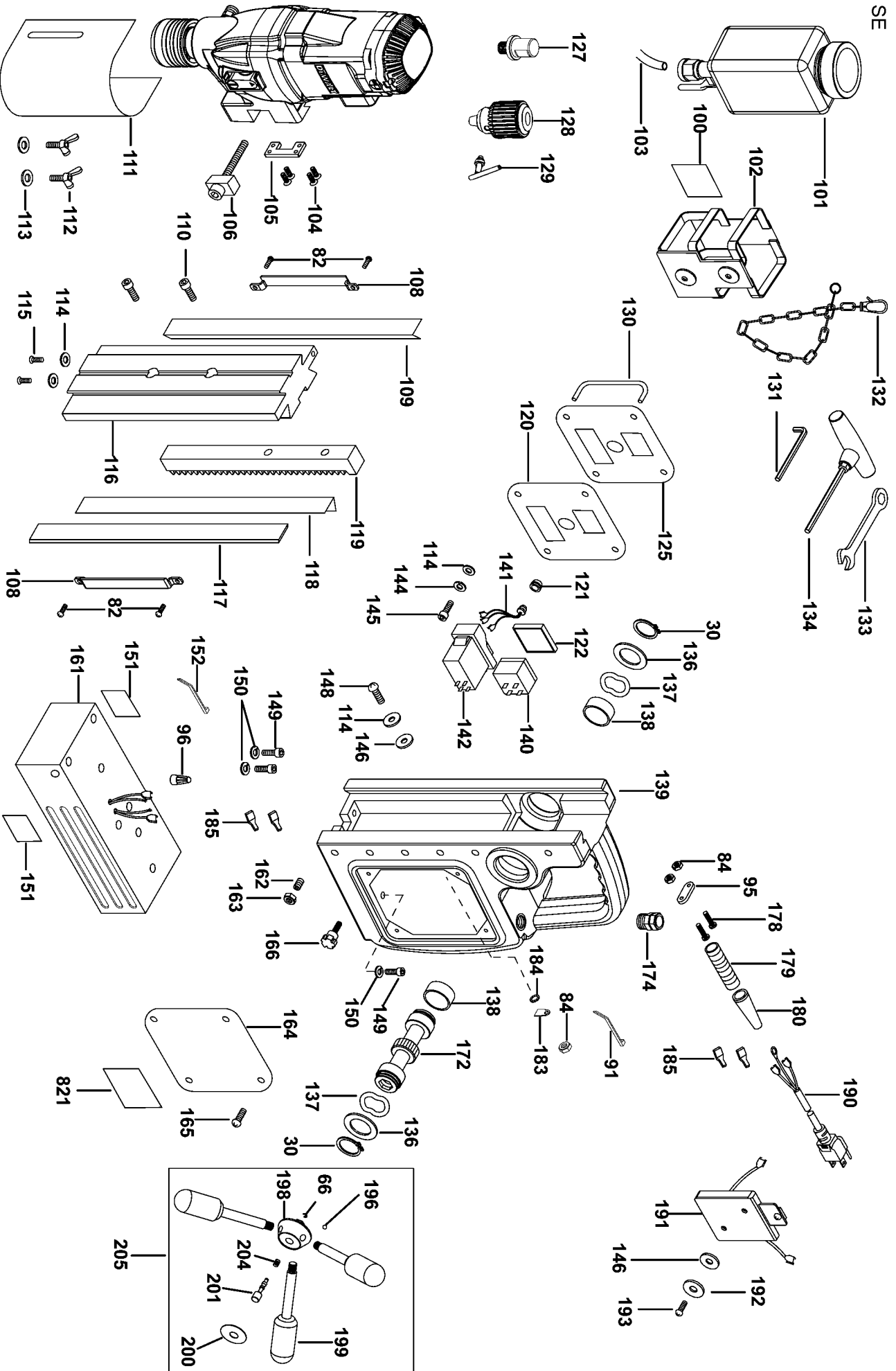


SE



SE



## Parts List for DWE1622K Type 1

Item Number	Part Number	Description	Qty Required
10	1004685-00	SPINDLE ASSEMBLY	1
11	1004685-01	RING	1
12	1004685-02	WASHER	1
13	1004685-03	RING	1
14	1004685-04	SEAL	1
15	1004685-05	SPRING	1
16	1004685-06	DETENT	2
17	1004685-07	STEEL BALL	1
18	1004685-08	SCREW	2
19	1004685-09	KEY	1
20	1004685-10	LEAF SPRING	2
21	1004685-11	SPINDLE	1
22	1004685-12	BAND	1
23	1004685-13	DETENT	1
24	1004685-14	SLEEVE	1
25	1004685-15	SPRING	1
26	1004685-16	WASHER	1
27	1004685-17	RING	1
28	1004685-18	RING	1
29	1004685-19	BALL BEARING	1
30	1004685-20	RING	3
34	1004685-31	BEARING	1
35	1004685-21	ARMATURE	1
36	1004685-23	BALL BEARING	4
37	1004685-24	BALL BEARING	1
38	1004685-25	GEARCASE COVER ASSY.	1
39	1004685-86	O-RING	1

## Parts List for DWE1622K Type 1

Item Number	Part Number	Description	Qty Required
40	1004685-26	NEEDLE BEARING	1
42	1004685-27	INTERSHAFT ASSY.	1
43	1004685-28	RING	1
44	1004685-29	GEAR	1
46	1004685-30	WOODRUFF KEY	1
48	1004685-32	RING	1
49	1004685-33	GEAR	1
50	1004685-34	SEAL	2
56	1004685-35	SLIDER	1
57	1004685-36	PLATE	1
58	1004685-37	GEAR	1
59	1004685-38	SHAFT ASSEMBLY	1
60	1004685-39	WOODRUFF KEY	1
62	1004685-40	COUPLING	1
63	1004685-41	GEARCASE	1
64	1004685-76	LABEL	1
65	1004685-42	SCREW	2
66	1004685-43	CLIP	3
67	1004685-44	SPRING	1
68	1004685-45	PIN	1
69	1004685-46	SELECTOR	1
70	1004685-47	SPRING	1
71	1004685-48	SCREW	1
72	1004685-49	SCREW	2
73	N176013	BRAND LABEL	1
74	1004685-50	SCREW	2
75	1004685-51	END CAP	1

## Parts List for DWE1622K Type 1

Item Number	Part Number	Description	Qty Required
76	1004685-52	BRUSH HOLDER	2
80	1004685-53	SCREW	4
81	1004685-54	BRUSH PAIR	1
82	1004685-56	SCREW	6
83	1004685-57	BRUSH SPRING	2
84	1004685-58	NUT	6
85	1004685-59	FIELD CASE	1
86	1004685-61	FIELD	1
87	1004685-55	SCREW	1
88	1004685-62	FAN BAFFLE	1
89	1004685-63	SLEEVE	1
90	1004685-64	LEADWIRE	1
91	1004685-65	CABLE TIE	2
92	1004685-66	SCREW	4
93	1004685-67	COVER PLATE	1
94	1004685-68	SCREW	2
95	1004685-69	CLAMP	2
96	1004685-70	CONNECTOR	3
100	1004685-71	LABEL	1
101	1004686-00	TANK	1
102	1004686-01	HOLDER	1
103	1004686-02	TUBE	1
104	1004686-03	SCREW	4
105	1004686-04	PLATE	1
106	1004686-05	CLAMP ASSY.	1
108	1004686-07	BRACKET	2
109	1004686-08	GUIDE	1

## Parts List for DWE1622K Type 1

Item Number	Part Number	Description	Qty Required
110	1004686-09	SCREW	2
111	1004686-10	GUARD	1
112	1004686-11	THUMBSCREW	2
113	1004686-12	WASHER	2
114	1004686-13	WASHER	7
115	1004686-14	SCREW	2
116	1004686-15	SLIDER	1
117	1004686-16	SHIM	1
118	1004686-17	GUIDE	1
119	1004686-18	RACK	1
120	1004686-19	COVER PLATE	1
121	1004686-20	FRAME	1
122	1004686-21	COVER	1
125	N176015	LABEL	1
127	1004685-73	ADAPTOR	1
128	1004685-74	CHUCK	1
129	1004685-75	CHUCK KEY	1
130	1004686-22	GUARD	2
131	1004686-23	HEX KEY	1
132	1004686-24	CHAIN	1
133	1004686-25	SPANNER	1
134	1004686-26	HEX KEY	1
136	1004686-28	WASHER	2
137	1004686-29	THRUST WASHER	2
138	1004686-30	BUSHING	2
139	1004686-31	BODY	1
140	1004686-32	SWITCH	1

## Parts List for DWE1622K Type 1

Item Number	Part Number	Description	Qty Required
141	1004686-33	LED LIGHT	1
142	1004686-35	SWITCH	1
144	1004686-37	WASHER	4
145	1004686-38	SCREW	4
146	1004686-39	WASHER	3
148	1004686-40	SCREW	1
149	1004686-41	SCREW	3
150	1004686-42	LOCK WASHER	3
151	N176016	LABEL	2
152	1004686-68	CABLE TIE	1
161	1004685-84	ELECTRO MAGNET	1
162	1004686-45	GRUB SCREW	5
163	1004686-46	NUT	5
164	1004686-47	COVER PLATE	1
165	1004686-48	SCREW	4
166	1004686-49	THUMBSCREW	1
172	1004686-52	SHAFT ASSY.	1
174	1004686-53	GLAND	1
178	1004686-56	SCREW	2
179	1004686-57	SLEEVE	1
180	1004686-58	CORD PROTECTOR	1
183	1004686-77	LABEL	1
184	1004686-78	LOCK WASHER	1
185	1004686-59	INSULATING SLEEVE	4
190	5140159-98	CORDSET	1
191	1004686-66	ELECTRONIC	1
192	1004686-79	WASHER	2

## Parts List for DWE1622K Type 1

Item Number	Part Number	Description	Qty Required
193	1004686-67	SCREW	2
196	1004686-70	INSERT	1
198	1004686-72	BOSS	1
199	1004686-73	HANDLE ASSY.	3
200	N176014	LABEL	1
201	1004686-74	PLUNGER	1
204	1004686-75	SPRING	1
205	1004686-76	ELEVATING HANDLE	1
800	5140061-28	GREASE	1
821	N394526	RATING LABEL	1
861	1004685-72	KIT BOX	1