

PartsList D26200K ROUTER 1

Item	PartNumber	Qty	PartDescription	GeneralDescription	OtherInfo	RepairInst	Markets
1	A26126SV	1	MOTORHOUSINGS				
2	N074107	1	LEDLIGHT				
3	A26131	1	INSERT				
4	N038183	1	LOCKBUTTON			No	
5	A23489	1	SPRING			No	
6	330065-06	2	SCREW	M4X12T20		No	
7	A28455SV	1	ARMATURE230V		INC53,54	No	GB
7	A26132	1	ARMATURE120V		INCL53,54	No	LX
8	A25248	1	NUT			Yes	
9	A28680	1	FIELD			No	
10	330065-07	1	SCREW	M4x16mm		No	
11	A28458	2	BRUSHHOLDERS		INCL59	No	GB
11	A27345	2	BRUSHHOLDER120V			No	LX
12	330019-01	2	SCREW.TEMP	M3-Torx		No	
13	N074135	1	CONTROLMODULESA	230V		No	GB
13	N074136	1	CONTROLMODULESA	120V		No	LX
14	N074109	1	CONTROLMODULESA	230V		No	GB
14	N074104	1	CONTROLMODULESA	120V		No	LX
15	A28691	1	CORDSET	GB		No	GB
15	A28692	1	CORDSET	LX		No	LX
16	329301-00	1	CORDCLAMP			No	
17	330019-02	3	SCREW	M3.5X13T15		No	
18	887453	1	SWITCH			No	
19	A29360	1	SWITCHCOVER			No	
20	A28679	1	ENDCAP			No	
21	A27330	1	MAGNET			Yes	
22	330045-09	2	SCREW			No	
23	330065-08	3	SCREW	M4X18T20		No	
24	326286-01	1	COLLET&NUTSA	1/4"(6.35mm)		No	GB

PartsList D26200K ROUTER 1

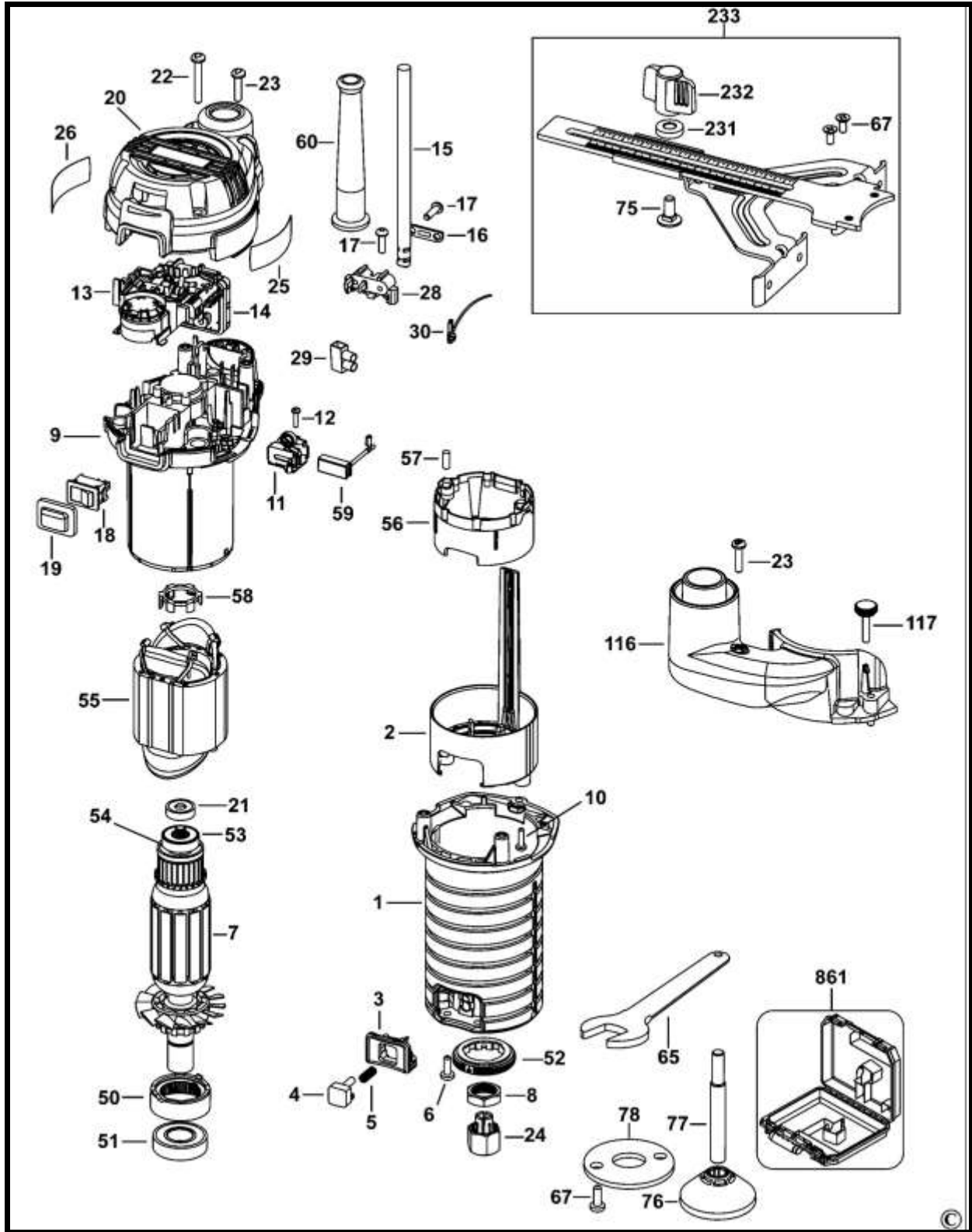
Item	PartNumber	Qty	PartDescription	GeneralDescription	OtherInfo	RepairInst	Markets
24	326286-01	1	COLLET&NUTSA	1/4"(6.35mm)		No	LX
25	A29351	1	RATINGPLATE	GB		No	GB
25	A29356	1	RATINGPLATE	LX		No	LX
26	A28464	1	WARNINGLABEL			No	
28	A28476	1	MOUNT				
29	398100-00	1	TERMINALBLOCK				
30	A29361	1	LEADSA				
50	A26125	1	INSERT			Yes	
51	A27537	1	BEARING			Yes	
52	A25250	1	NUTLH	M37X1.5LH		Yes	
53	330003-60	1	BEARING	8x22x7		No	
54	A25585	1	INSULATOR			Yes	
55	N278879	1	FIELD230V			No	GB
55	A21119	1	FIELD115V	120V		No	LX
56	A23504	1	BAFFLE			Yes	
57	949638-02	2	DAMPER			No	
58	A27937	1	WASHER			Yes	
59	A28459	2	BRUSH			No	GB
59	A27343	2	BRUSH120V	120V		No	LX
60	N542553	1	CORDPROTECTOR			No	
60	N542553	1	CORDPROTECTOR			No	
65	A27895	1	WRENCHSPECIAL	17MM		No	
67	945121-00	2	SCREW.TEMP	M4x10		No	
75	931405-00	1	SCREW			No	
76	A27315	1	CONE			No	
77	A27316	1	PIN			No	
78	249014-01	1	BUSH			No	
100	N032769SV	1	BASESA	D		No	

PartsList D26200K ROUTER 1

Item	PartNumber	Qty	PartDescription	GeneralDescription	OtherInfo	RepairInst	Markets
102	A28391	1	SCALE			No	
104	A24452	1	PIN			No	
105	A24764	1	ADJUSTER			Yes	
106	330022-18	1	SCREW			No	
107	A24767	1	PAD			No	
108	A24771	1	CLAMPINGBAR	W/OUTPIN		No	
109	A24770	1	PIN			No	
110	A27362	1	SPRING			No	
111	A27941	1	BASEPLATE	D		No	
112	N029178	4	SCREW	M410PANHD			
113	N028373	1	RETAINER				
114	N693104	1	ADJUSTERHEIGHT				
115	A28466	2	IDENTITYLABEL				No
116	A28678SV	1	ADAPTOR	VACUUM		INCL23,117	No
117	A27335	2	THUMBSCREW				No
150	N092764	1	BASESA	O			No
203	N042079	2	PIN				No
231	N028927	1	WASHER				No
232	147107-00	1	KNOB				No
233	N026733	1	GUIDESA				No
861	A28470	1	KITBOX				No

PartsList D26200K ROUTER 1

Item PartNumber Qty PartDescription GeneralDescription OtherInfo RepairInst Markets



PartsList D26200K ROUTER 1

Item	PartNumber	Qty	PartDescription	GeneralDescription	OtherInfo	RepairInst	Markets
------	------------	-----	-----------------	--------------------	-----------	------------	---------

