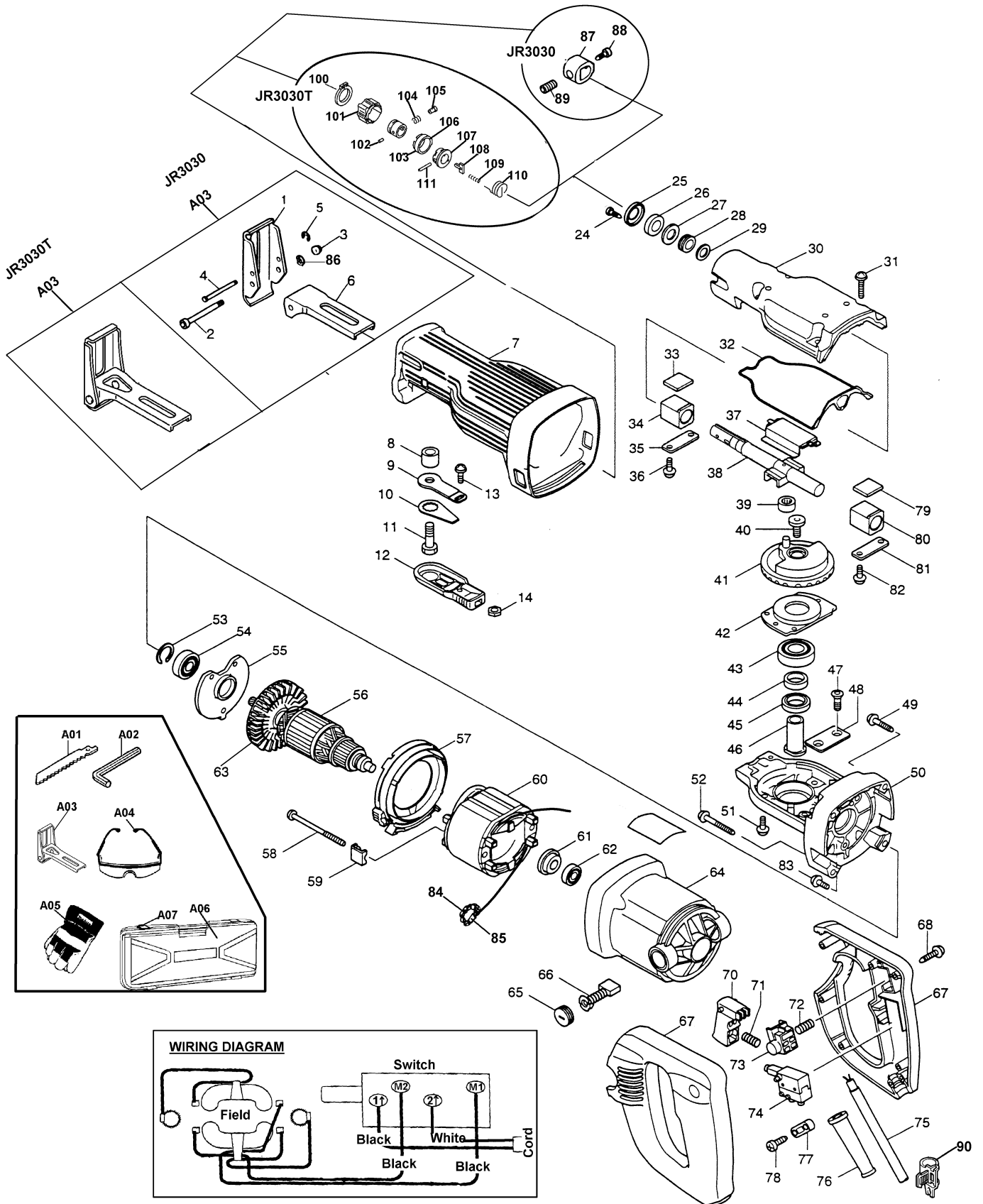




1-1/8" RECIPRO SAW  
1-1/8" RECIPRO SAW

Model JR3030 (MCA)  
Model JR3030T (MCA)



Item No.	Part No.	No. Used	Description	Item No.	Part No.	No. Used	Description
1	344095-6	1	Shoe Plate (JR3030)	40	266210-1	1	Hex. Socket Head Bolt M10x18
	344801-9	1	Shoe Plate (JR3030T) *	41	153268-8	1	Gear Com.
2	266242-8	1	Hex. Socket Bolt M5X45 (JR3030) (Old 922907-9)	42	285692-8	1	Bearing Retainer 56
	922911-8	1	Hex. Socket Head Bolt M5X50 (JR3030T) (Type 1)	43	211206-7	1	Ball Bearing 6202LLB
	266241-0	1	Hex Socket Head Bolt M5X50 (JR3030T) (Type 2) (Use With Item 91) *	44	257064-7	1	Ring 15
3	252103-8	1	Hex. Lock Nut M5-8 *	45	211221-1	1	Ball Bearing 6902
4	256654-3	1	Pin 4 (JR3030)	46	323844-4	1	Gear Shaft
	*	1	Pin 4 (JR3030T)	47	251969-3	2	Hex. Socket Head Bolt M5x12
5	961017-7	1	Stop Ring E-3(JR3030)	48	343981-8	1	Plate (C)
	*	1	Stop Ring E-3 (JR3030T)	49	266173-1	2	Tapping Screw 5x30
6	344730-6	1	Shoe Supporter (JR3030)	50	317140-0	1	Gear Housing
	*	1	Shoe Supporter (JR3030T)	51	911601-8	3	P. H. Screw M5x8
7	421665-9	1	Insulation Cover	52	266056-5	2	Tapping Screw 5x45
8	257558-2	1	Sleeve 9	53	961052-5	1	Retaining Ring S-12 (JR3030T)
9	344732-2	1	Inner Plate	54	211131-2	1	Ball Bearing 6001DDW
10	344733-0	1	Lock Plate	55	285693-6	1	Bearing Retainer
11	921442-4	1	Hex. Bolt M8x25	56	516371-0	1	Armature Assy 115V (Includes Items 61, 62 & 63)
12	152904-3	1	Lever 60 Com. (Includes Items 14) (Old 272240-2)	57	416856-5	1	Baffle Plate
13	911114-9	1	P. H. Screw M4x10	58	266044-2	2	Tapping Screw 5x60
14	931102-0	1	Hex. Nut M4	59	343657-7	2	Retainer
15	310138-6	1	Clamp (JR3030T)(Old 310088-5) *	60	594331-2	1	Field Assy 115V (Includes Items 84 & 85)
	<b>310138-6X</b>	1	Clamping System Repair Kit (Includes Items 15 - 22 & 92)	61	681644-1	1	Insulated Washer
16	216002-8	1	Steel Ball 4.8 (JR3030T) *	62	210005-4	1	Ball Bearing 608DDW
17	256454-1	1	Pin 5.5-6 (JR3030T) *	63	240023-8	1	Fan 70
18	*	1	Socket Head Bolt (JR3030T)	64	151841-8	1	Motor Housing Com. (Includes 2X643708-9 - Brush Holder 5x11 & 2X643759-2 Brush Holder 5x11)
19	323916-5	1	Push Pin (JR3030T) *	65	643750-0	2	Brush Holder Cap
20	233018-8	1	Compression Spring 3 (JR3030T) *	66	191963-2	2	Carbon Brush CB-303 (2pcs/Set)
21	162215-8	1	Push Button (JR3030T) *	67	183101-0	1	Handle Set
22	233247-3	1	Compression Spring 16 JR3030T) *	68	266045-0	5	Tapping Screw 4x20
23	257226-7	1	Ring 13 (JR3030T) *	70	416851-5	1	Switch Lever
24	266035-3	2	Tapping Screw Bind CT 5X12	71	233251-2	1	Compression Spring 5
25	344729-1	1	Felt Retainer	72	*	1	Compression Spring 4
26	262545-8	1	Felt Ring 14	73	*	1	Lock-on Button
27	253797-2	1	Flat Washer 14	74	651918-4	1	Switch SGE108CV-1P
28	213174-0	1	X Ring 14	75	664013-1	1	Cord With Plug 2P-18-2.5
29	253707-9	1	Flat Washer 16	76	682503-2	1	Cord Guard 8-90
30	317139-5	1	Gear Housing Cover (JR3030)	77	687063-9	1	Strain Relief
	*	1	Gear Housing Cover (JR3030T)	78	265995-6	2	Tapping Screw 4x18
31	911253-5	4	P. H. Screw M5x30	79	443070-0	1	Plate 12x16
32	421666-7	1	Packing	80	214169-6	1	Plane Bearing 14
33	443070-0	1	Plate 12x16	81	341462-6	1	Plate
34	214169-6	1	Plane Bearing 14	82	911225-0	2	P. H. Screw M5x16
35	341462-6	1	Plate	83	911601-8	3	P. H. Screw M5x8
36	911225-0	2	P. H. Screw M5x16	84	654020-2	2	Garter Spring
37	344777-0	1	Slide Plate	85	654555-3	2	Connector 34130
38	168326-7	1	Slider (JR3030)	86	942101-7	1	Spring Washer 5 (JR3030)
	*	1	Slider (JR3030T)	87	313075-3	1	Blade Clamp (JR3030)
39	212001-8	1	Needle Bearing 708	88	266090-5	1	Hex. Socket Head Bolt M5x15 (JR3030)
				89	266202-0	1	Screw M8x10 (JR3030)
				90	410048-8	1	Wrench Holder 3.4 (JR3030)
				91	942101-7	1	Spring Washer 5 (JR3030T) *
				92	267758-6	1	Spring Washer 5 (Add) *
				100	<b>961078-7</b>	1	Retaining Ring (EXT) S-18 (JR3030T)*
				101	<b>162228-9</b>	1	Driving Sleeve (JR3030T)*
				102	<b>268094-3</b>	1	Pin 3 (JR3030T) *
				103	<b>331639-1</b>	1	Guide Sleeve (JR3030T) *
				104	<b>233345-3</b>	1	Compression Spring 6 (JR3030T) *
				105	<b>256471-1</b>	1	Shoulder Pin 5 (JR3030T) *
				106	<b>417791-0</b>	1	Driving sleeve Guide (JR3030T) *
				107	<b>310129-7</b>	1	Sleeve (JR3030T) *
				108	<b>345214-7</b>	1	Push Plate (JR3030T) *
				109	<b>233025-1</b>	1	Compression Spring 2 (JR3030T) *

2 Model JR3030  
2 Model JR3030T

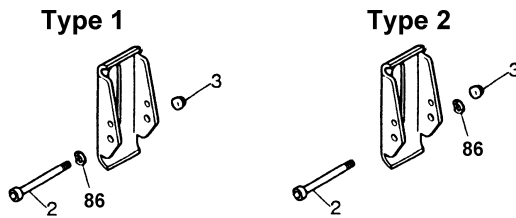
\* SERVICE CHANGES

Item No.	Part No.	No. Used	Description	Item No.	Part No.	No. Used	Description
110	231662-5	1	Torsion Spring 17 (JR3030T) *	A02	783202-0	1	Hex. Wrench 4 (JR3030)
<b>Accessories</b>				A03	168331-4 *	1 1	Shoe Assy (Stationary Type) (JR3030) Shoe Assy (Stationary Type) (JR3030T)
A01	-----	1	Recipro Saw Blade (See Catalogue For Details)	A04	191686-A	1	Makita Safety Glasses
	192342-7	1	Recipro Saw Blade Set (3pc) (Type 1)	A05	G-00001	1	Makita Safety Gloves
	193572-3	1	Recipro Saw Blade Set (3pc) (Type 2)	A06	824412-1	1	Plastic Carrying Case (Includes Items A07)
				A07	A00188-3	2	Snap Lock (L)

\* SERVICE CHANGES

## SERVICE CHANGES

### 1. Change on Hex Socket Head Bolt. ( Model JR3030 ONLY).

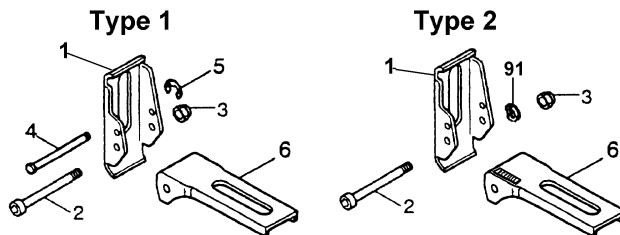


Item No.	Description	Type 1	Type 2
2	Hex Socket Head Bolt M5X45	922907-9	266242-8

Type 1 & Type 2 parts are completely interchangeable as themselves.

When using Type 2 Hex Socket Head Bolt Set Item 86 (Spring Washer 5) at Hex Lock Nut Side.

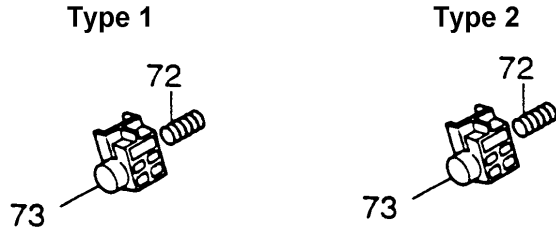
### 2. Change on Hex Socket Head Bolt, Shoe Supporter, Pin 4, Stop Ring E-3 & Spring Washer 5. (JR3030T ONLY)



Item No.	Description	Type 1	Type 2	Type 3
2	Hex Socket Head Bolt M5X50	922911-8	266241-0	See Service Change # 5 for Change On Tool-less Blade Change System
4	Pin 4	268044-8	-----	
5	Stop Ring E-3	961017-7	-----	
6	Shoe Supporter	344813-2	344925-1	
91	Spring Washer 5	-----	942101-7	
	Serial No.	~ 8872	8873 ~June 2003	July 2003 ~

Above parts are completely interchangeable as a set.

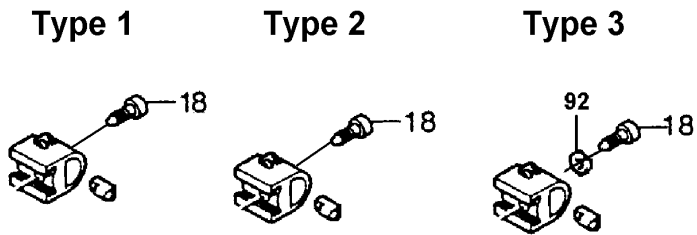
**3. Change on Lock-on Button & Compression Spring.**



Item No.	Description	Type 1	Type 2
72	Compression Spring 4	231230-4	231342-3
73	Lock-on Button	416850-7	417323-3
Serial No.	JR3030	~ 2946	2947 ~
	JR3030T	~ 8872	8873 ~

Above parts are completely interchangeable as a set.

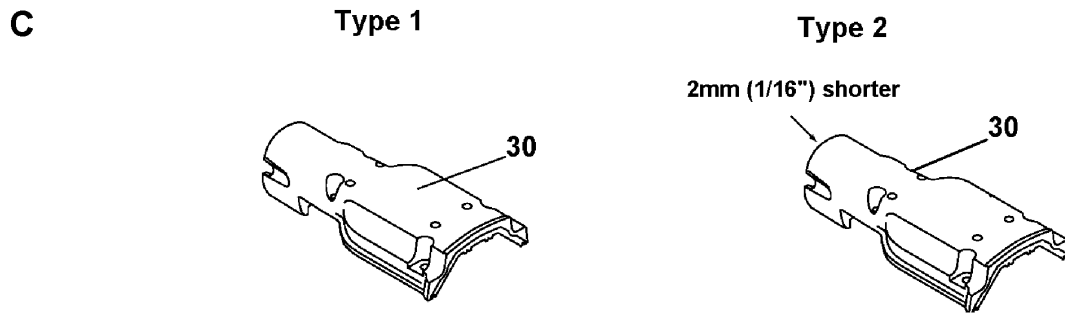
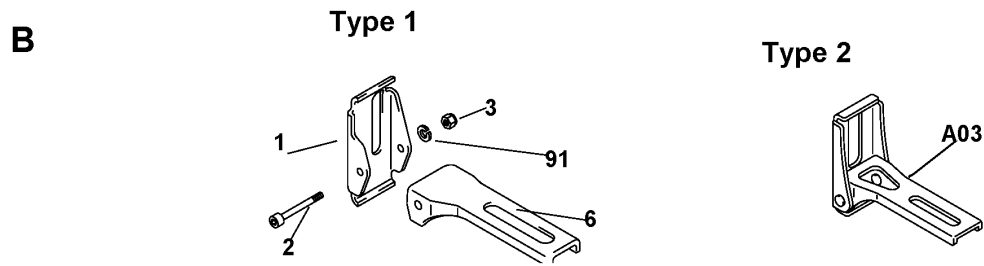
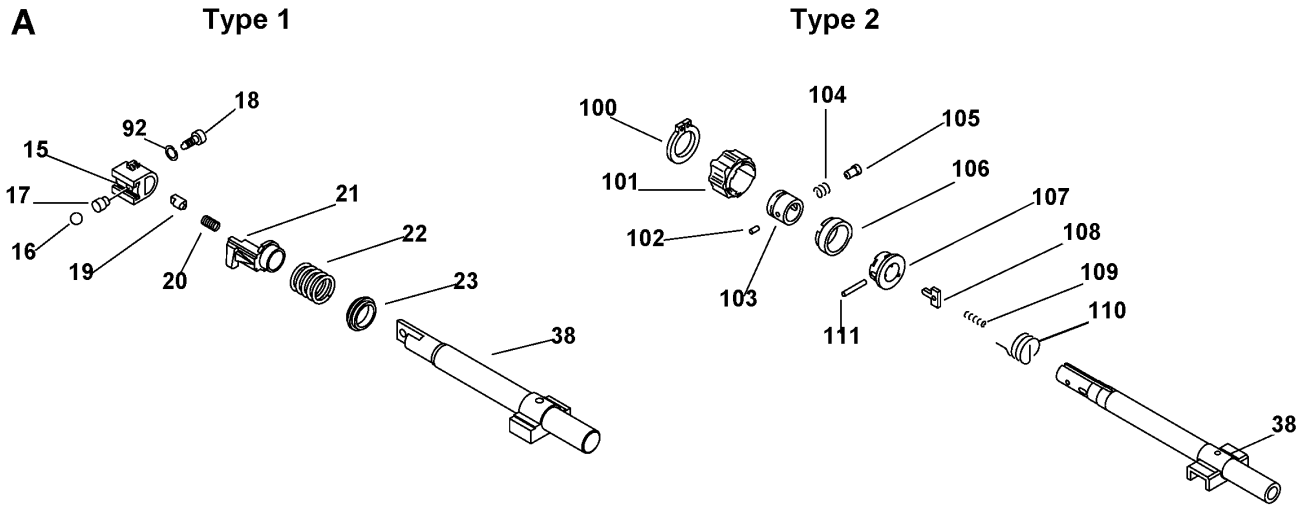
**4. Change on Torx Socket Head Bolt M5X10. (JR3030T)**



Item No.	Description	Type 1	Type 2	Type 3
18	Socket Head Bolt	266236-3 Hex M5X8	266247-8 Torx M5X10	266272-9 Torx M5X10
92	Spring Washer 5	-----	-----	267758-6

Above parts are completely interchangeable as a set.

**5. Change of Blade Clamping System, Shoe and Gear Housing Cover. (JR3030T)**



	Item No.	Description	Type 1	Type 2
<b>A</b>	15	Clamp	310138-6	-----
	16	Steel Ball 4.8	216002-8	-----
	17	Pin 5.5-6	256454-1	-----
	18	Torx Socket Head Shoulder Bolt M5X10	266272-9	-----
	19	Push Pin	323916-5	-----
	20	Compression Spring 3	233018-8	-----
	21	Push Button	162215-8	-----
	22	Compression Spring 16	233247-3	-----
	23	Ring 13	257226-7	-----
	38	Slider	168332-2 (Overall Length: 147mm (5/3/4"))	<b>168368-1</b> (Overall Length: 188.5mm (7-3/8"))
	92	Spring Washer 5	267758-6	-----
	100	Retaining Ring EXT S-18	-----	<b>961078-7</b>
	101	Driving Sleeve	-----	<b>162228-9</b>
	102	Pin 3	-----	<b>268094-3</b>
	103	Guide Sleeve	-----	<b>331639-1</b>
	104	Compression Spring 6	-----	<b>233345-3</b>
	105	Shoulder Pin 5	-----	<b>256471-1</b>
106	Driving Sleeve Guide	-----	<b>417791-0</b>	
107	Sleeve	-----	<b>310129-7</b>	
108	Push Plate	-----	<b>345214-7</b>	
109	Compression Spring 2	-----	<b>233025-1</b>	
110	Torsion Spring 17	-----	<b>231662-5</b>	
111	Pin 3	-----	<b>256158-5A</b>	
<b>B</b>	1	Shoe Plate/Shoe (Flexible Type)	344801-9	<b>163442-0</b>
	2	Hex Socket Head Bolt	266241-0	-----
	3	Hex Lock Nut M5-8	252103-8	-----
	6	Shoe Supporter	344925-1	-----
	91	Spring Washer 5	942101-7	-----
<b>C</b>	A03	Shoe (Stationary Type)(Optional)	168337-2	<b>163441-2</b>
	30	Gear Housing Cover	317139-5	<b>317640-0</b>

Above parts are completely interchangeable as a set.