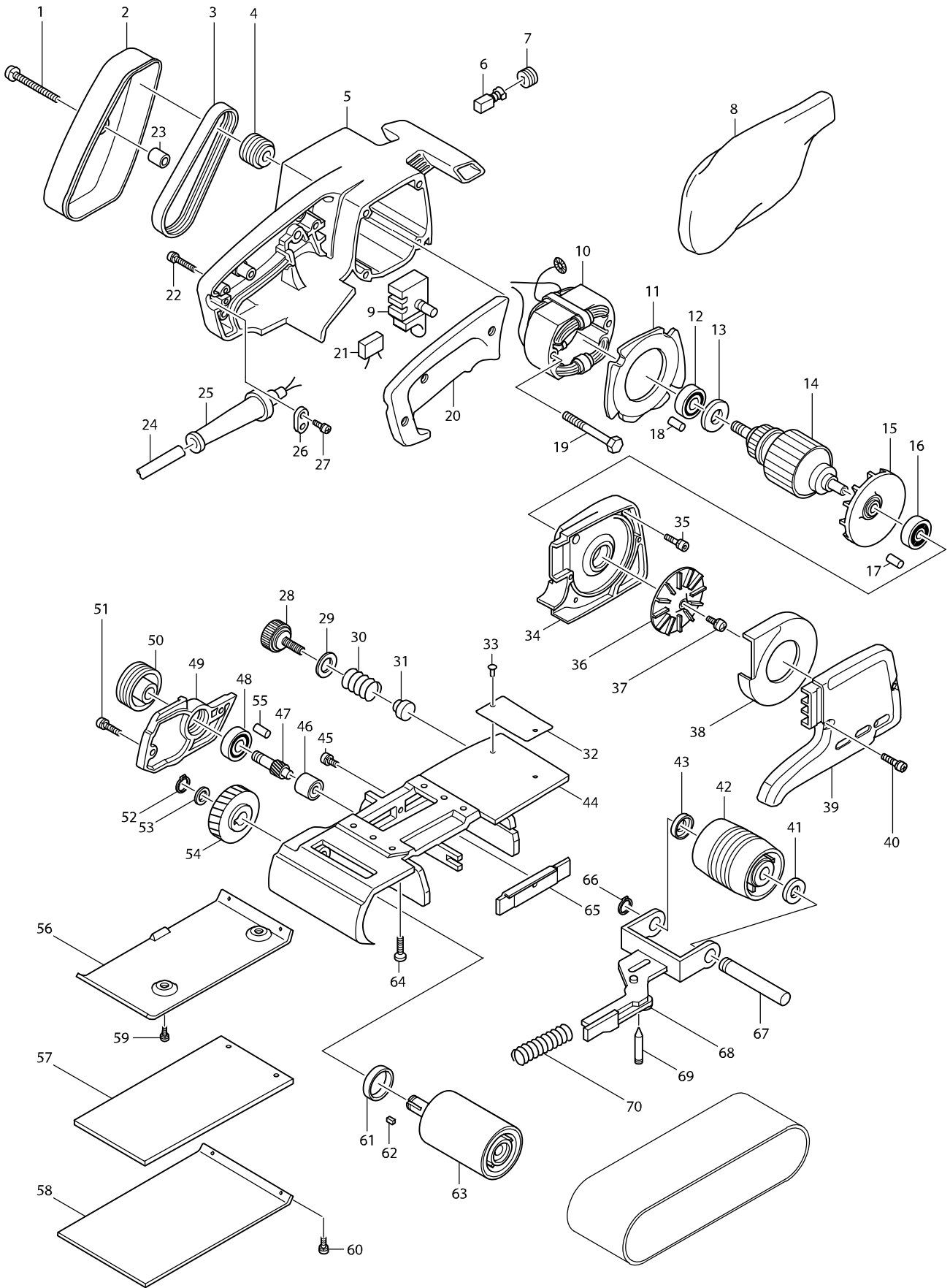


Model No. 9924DB BELT SANDER 76MM



Model No. 9924DB BELT SANDER 76MM

Item	Parts No.	Description	I/C	Qty	N/O	Opt. 1	Opt. 2	Note
001	911261-6	PAN HEAD SCREW M5X40		1				
002	343270-1	BELT COVER		1				
003	225008-5	POLY V-BELT 5-304		1				
004	222010-9	V-PULLEY 5-25L		1				
005	156490-6	MOTOR HOUSING COMPLETE		1				
C10	643603-3	BRUSH HOLDER 6-10		2	*			
C11	643609-1	BRUSH HOLDER 6-10	O	2				
D10		INC. 18						
006B_	181030-1	CARBON BRUSH CB-100		1				
007	643600-9	BRUSH HOLDER CAP 6-10		2				
008-1	122296-4	DUST BAG ASS'Y		1				
C10	410602-8	FASTENER		1				
009	651204-3	SWITCH SGEL115CDY		1				
010D_	523127-4	FIELD ASS'Y 240V		1				
C10	654019-7	RING TERMINAL		2				
C20	654502-4	CONNECTOR P-2		2				
011	411322-7	BAFFLE PLATE		1				
012	211066-7	BALL BEARING 6200LLB		1				
013-1	681623-9	INSULATION WASHER		1				
014D_	513295-1	ARMATURE ASS'Y 240V		1				
D10		INC. 12,13,15,16						
015	241809-3	FAN 75		1				
016-1	211087-9	BALL BEARING 6200DDW		1				
017	263002-9	RUBBER PIN 4		1	*			
018	263002-9	RUBBER PIN 4		1				
019-1	911270-5	PAN HEAD SCREW M5X45		2				
020	411321-9	HANDLE COVER		1				
022	911158-9	PAN HEAD SCREW M4X30		3				
023	257504-5	SLEEVE 6		1				
024W_	692541-6	POWER SUPPLY CORD 1.00-2-5.0		1				
025-1	682516-3	CORD GUARD 9.3-85		1				
026C_	687031-2	STRAIN RELIEF		1				
027-1	911133-5	PAN HEAD SCREW M4X18		2				
028	251815-0	SCREW M6X25		1				
029	253707-9	FLAT WASHER 16		1				
030	231225-7	COMPRESSION SPRING 16		1				
031	411594-4	SHOE		1				
032	815254-4	NAME PLATE 9924DB		1	*			
032-1	862386-8	NAME PLATE 9924DB	<	1				
033	953106-2	RIVET 0-5		2	*			
034	152208-3	DUST COLLECTOR BRACKET		1	*			
D10		INC. 17			*			
034-1	312810-6	DUST COLLECTOR BRACKET	O	1				
035	911241-2	PAN HEAD SCREW M5X25		4				
036	241611-4	FAN 74		1				
037	911211-1	PAN HEAD SCREW M5X12		1				
038	343271-9	SEPARATOR		1				
039	312809-1	DUST COLLECTOR COVER		1				

Model No. 9924DB BELT SANDER 76MM

Item	Parts No.	Description	I/C	Qty	N/O	Opt. 1	Opt. 2	Note
040	911131-9	PAN HEAD SCREW M4X18		2				
041	253922-5	CUP WASHER 12		1				
042	152104-5	TENSION ROLLER COMPLETE		1				
C10	214101-0	PLANE BEARING 12		2				
C20	413012-8	SPONGE SHEET 30-47		1				
043	253922-5	CUP WASHER 12		1				
044-1	151189-8	FRAME COMPLETE		1	*			
044-2	151189-8	FRAME COMPLETE	<	1				
045	911211-1	PAN HEAD SCREW M5X12		1				
046	212003-4	NEEDLE BEARING 810		1				
047	221193-2	HELICAL GEAR 10		1				
048	211066-7	BALL BEARING 6200LLB		1				
049	152206-7	GEAR COVER COMPLETE		1	*			
D10		INC. 55			*			
049-1	312808-3	GEAR COVER	O	1				
050	222011-7	V-PULLEY 5-45		1				
051	911131-9	PAN HEAD SCREW M4X18		2				
052	961052-5	RETAINING RING S-12		1				
053	253312-2	THIN WASHER 12		2	*			
053-1	253312-2	THIN WASHER 12	O	4				
054	221070-8	HELICAL GEAR 48		1				
055	263002-9	RUBBER PIN 4		1	*			
056	341647-4	BASE PLATE		1				
057	423035-8	CORK RUBBER PLATE		1				
058	423036-6	CARBON PLATE 98MM		1				
059	911111-5	PAN HEAD SCREW M4X10 WITH W		2				
060	911114-9	PAN HEAD SCREW M4X10		2				
061	253922-5	CUP WASHER 12		1				
062	254202-2	KEY 4		1				
063	151113-1	DRIVING ROLLER COMPLETE		1				
C10	325044-2	DRIVING ROLLER SHAFT		1				
064	912227-9	COUNTERSUNK HEAD SCREW M5X18		6				
065-1	155326-6	EDGE SLIDER		1				
066	961052-5	RETAINING RING S-12		1				
067	325458-5	TENSION ROLLER SHAFT		1				
068	163104-0	TENSION ROLLER ARM		1				
069	323634-5	SUPPORT PIN		1				
070	231033-6	COMPRESSION SPRING 11		1				
400	423036-6	CARBON PLATE 98MM		1				
401	794239-2	ABRASIVE BELT 76X610 WA80		1				

Please order the parts with a part number.