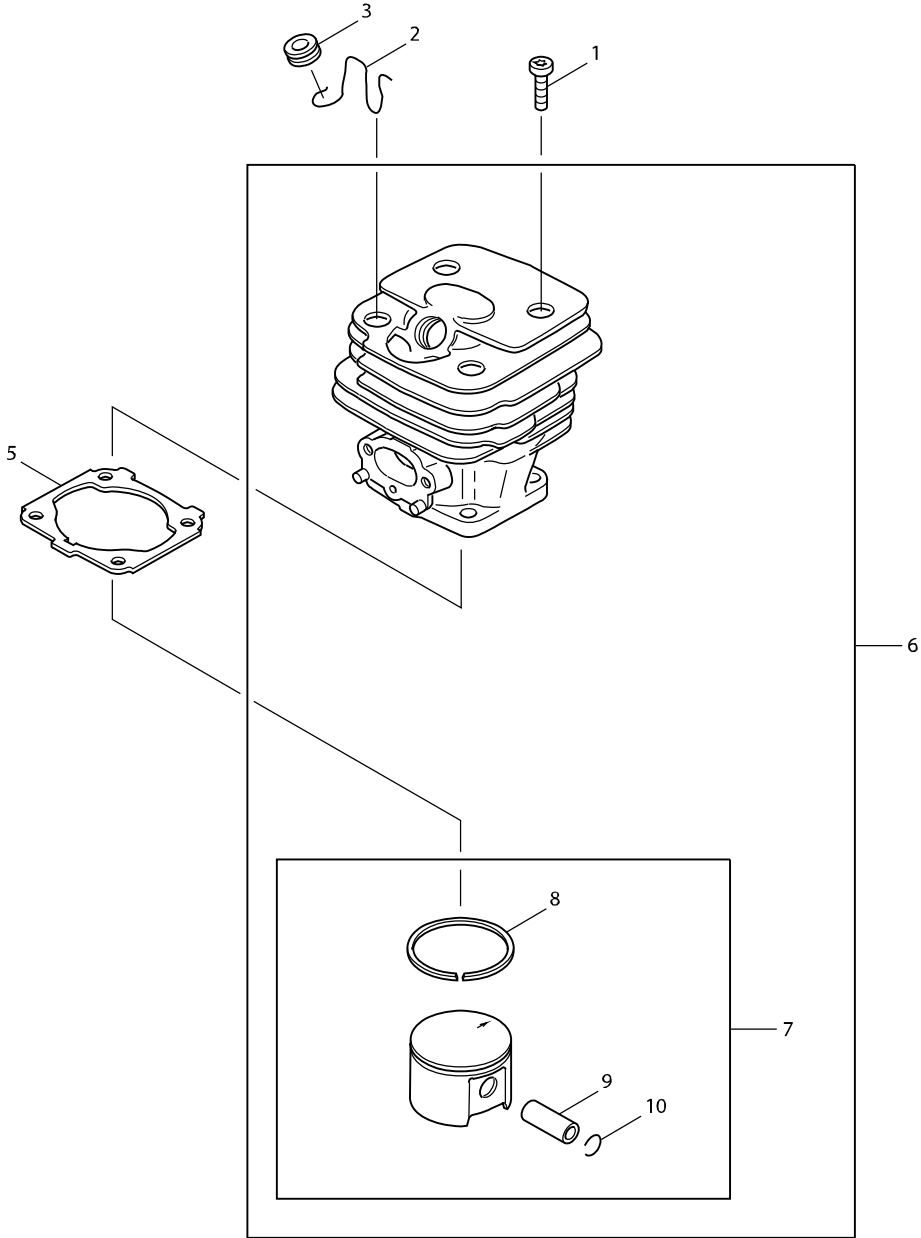
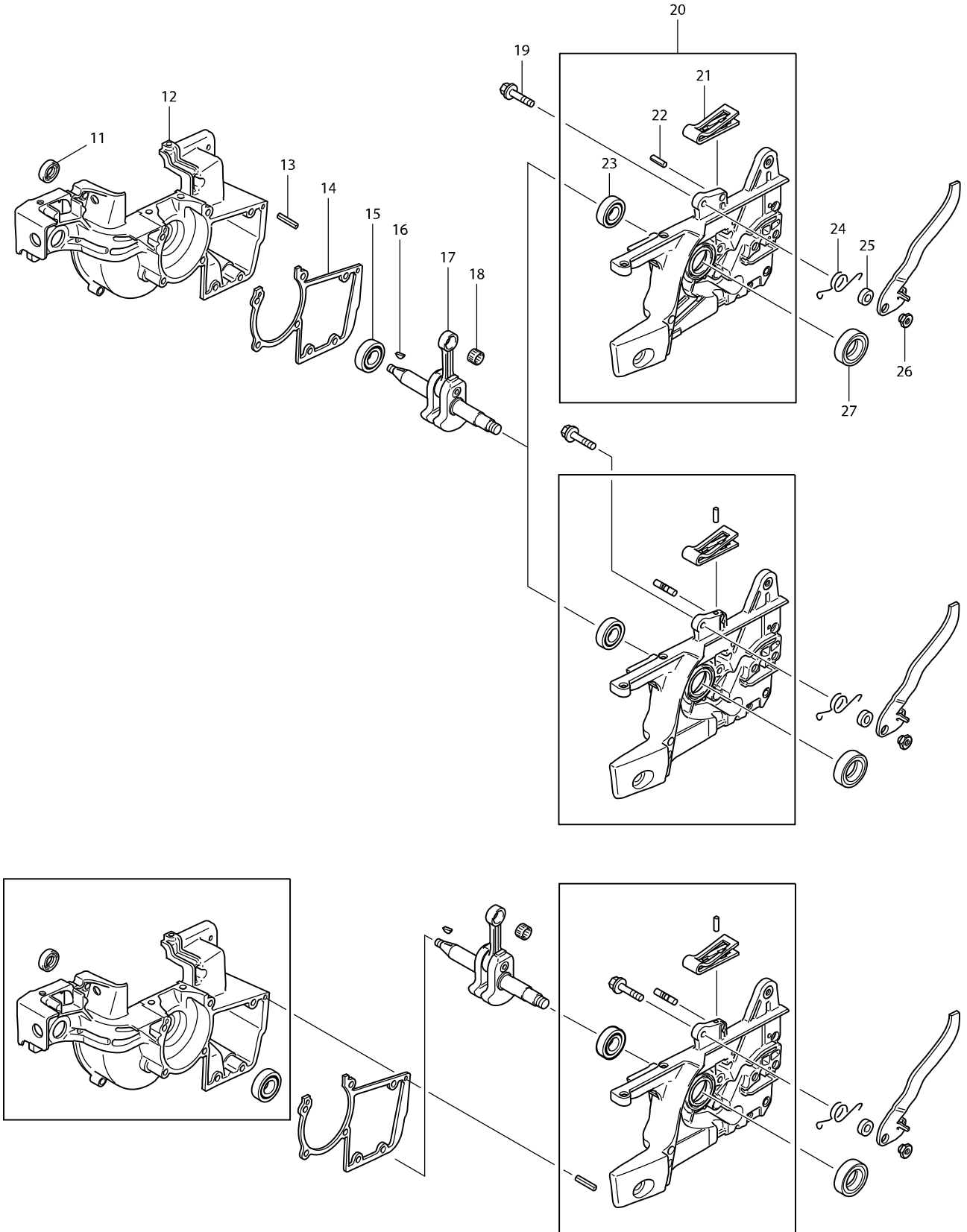


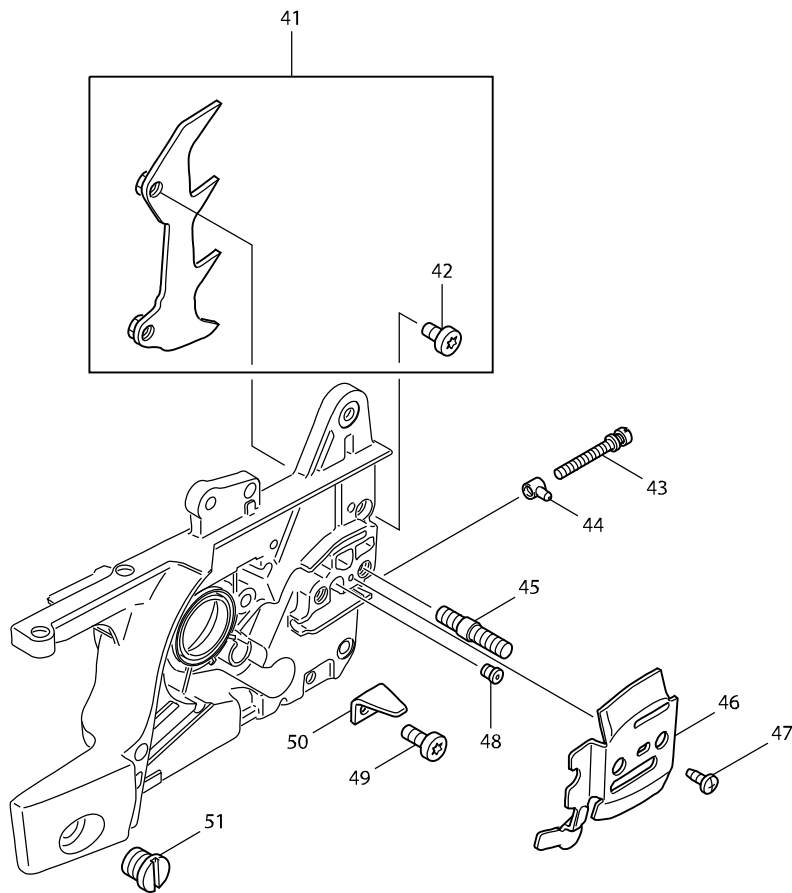
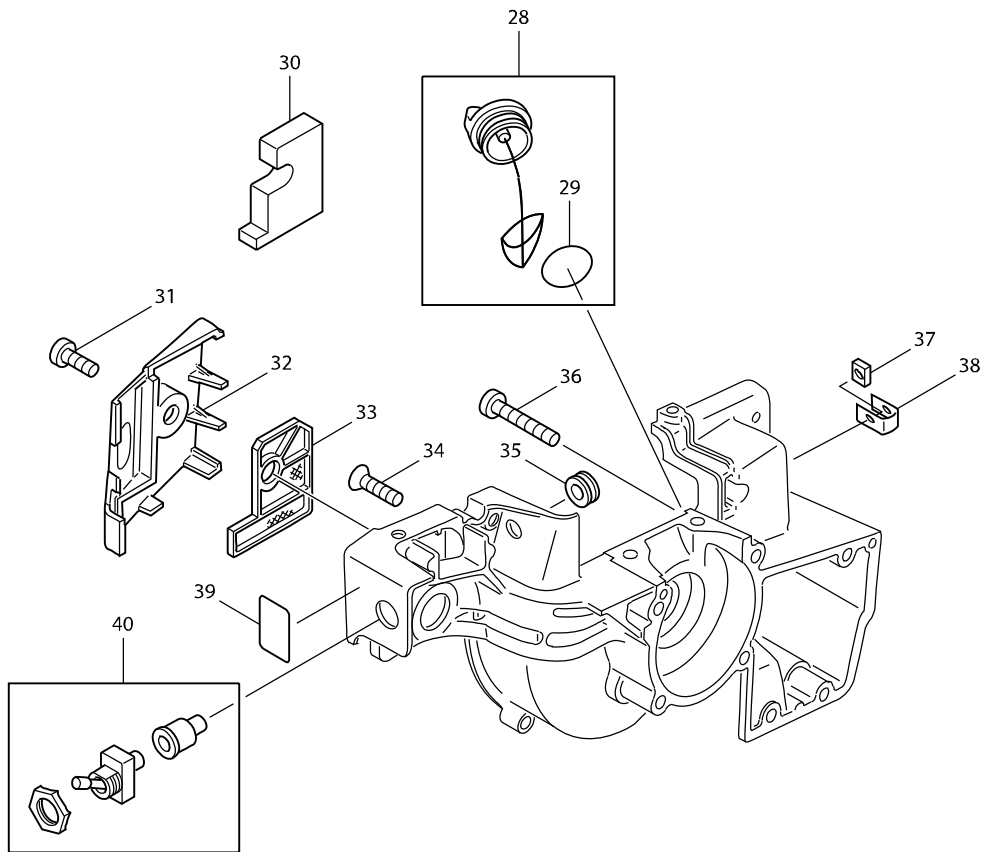
Model No. DCS430 ENGINE CHAIN SAW



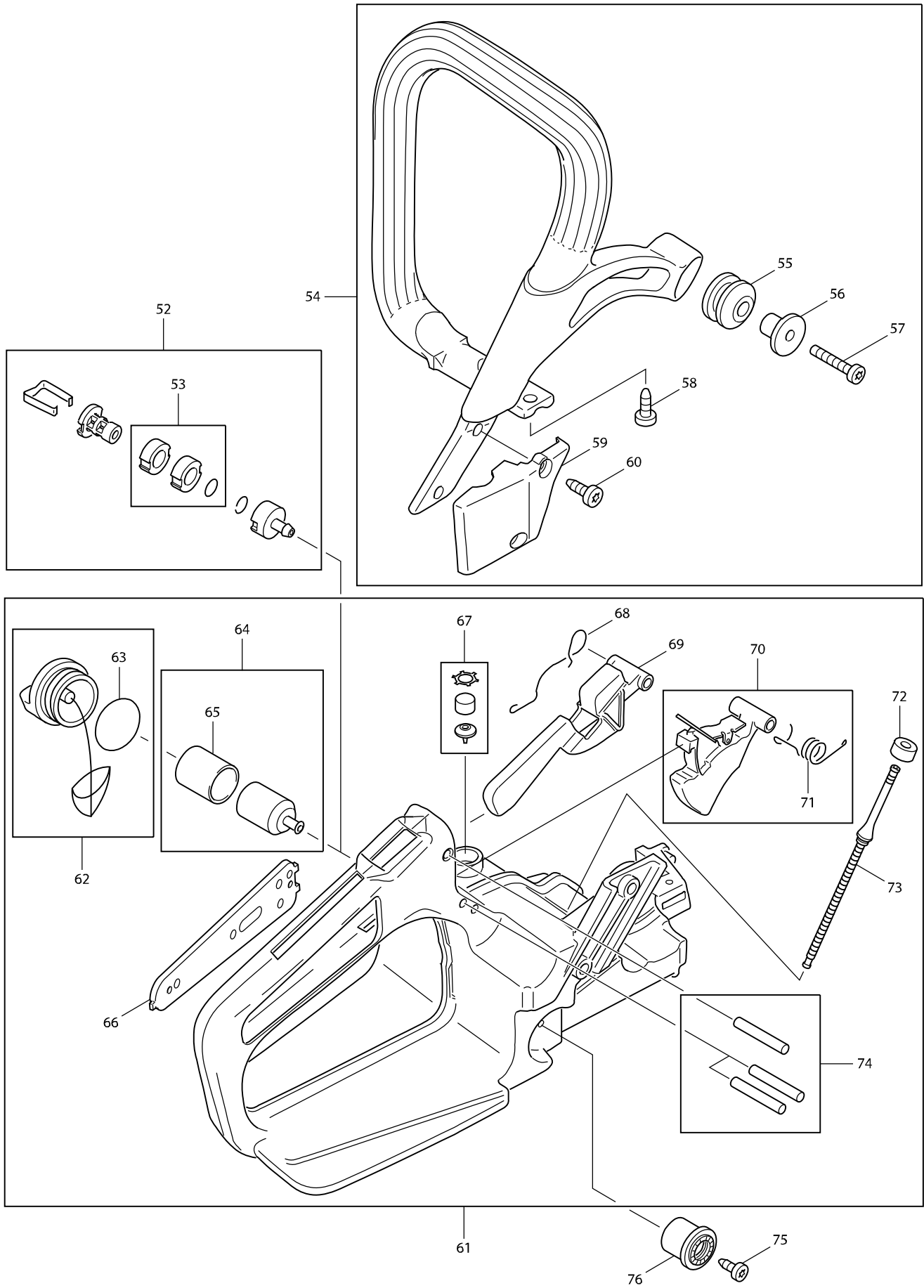
Model No. DCS430 ENGINE CHAIN SAW



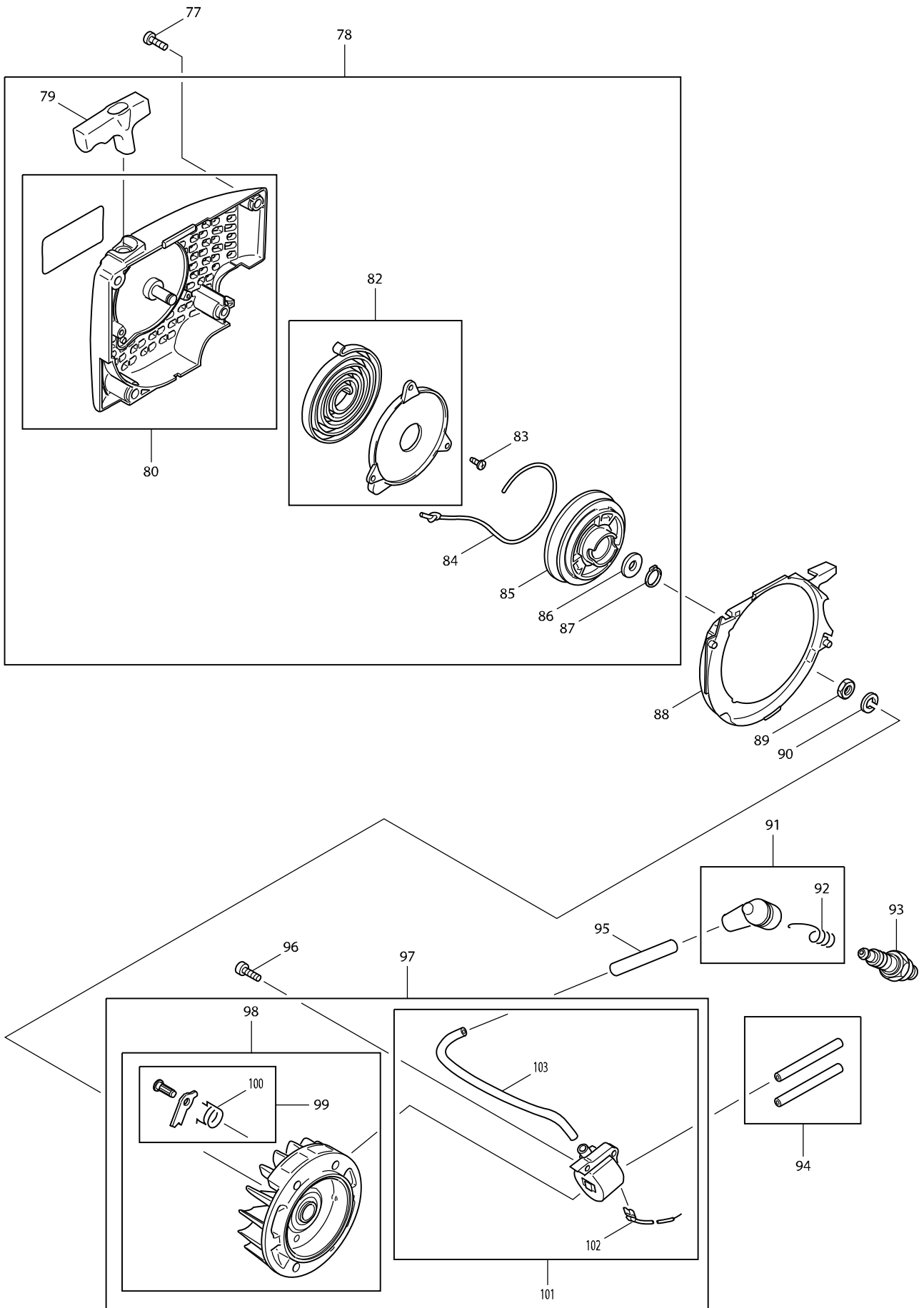
Model No. DCS430 ENGINE CHAIN SAW



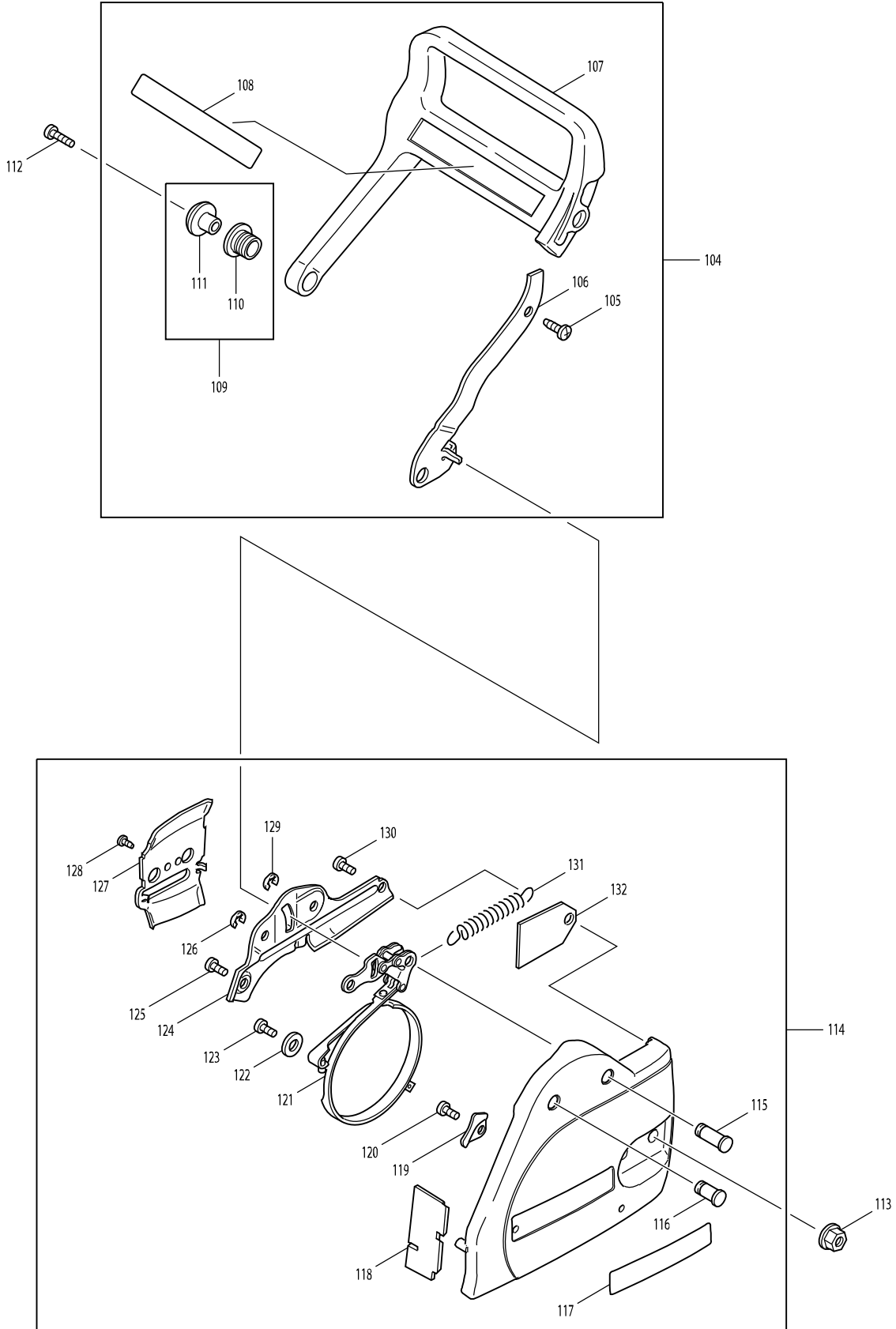
Model No. DCS430 ENGINE CHAIN SAW



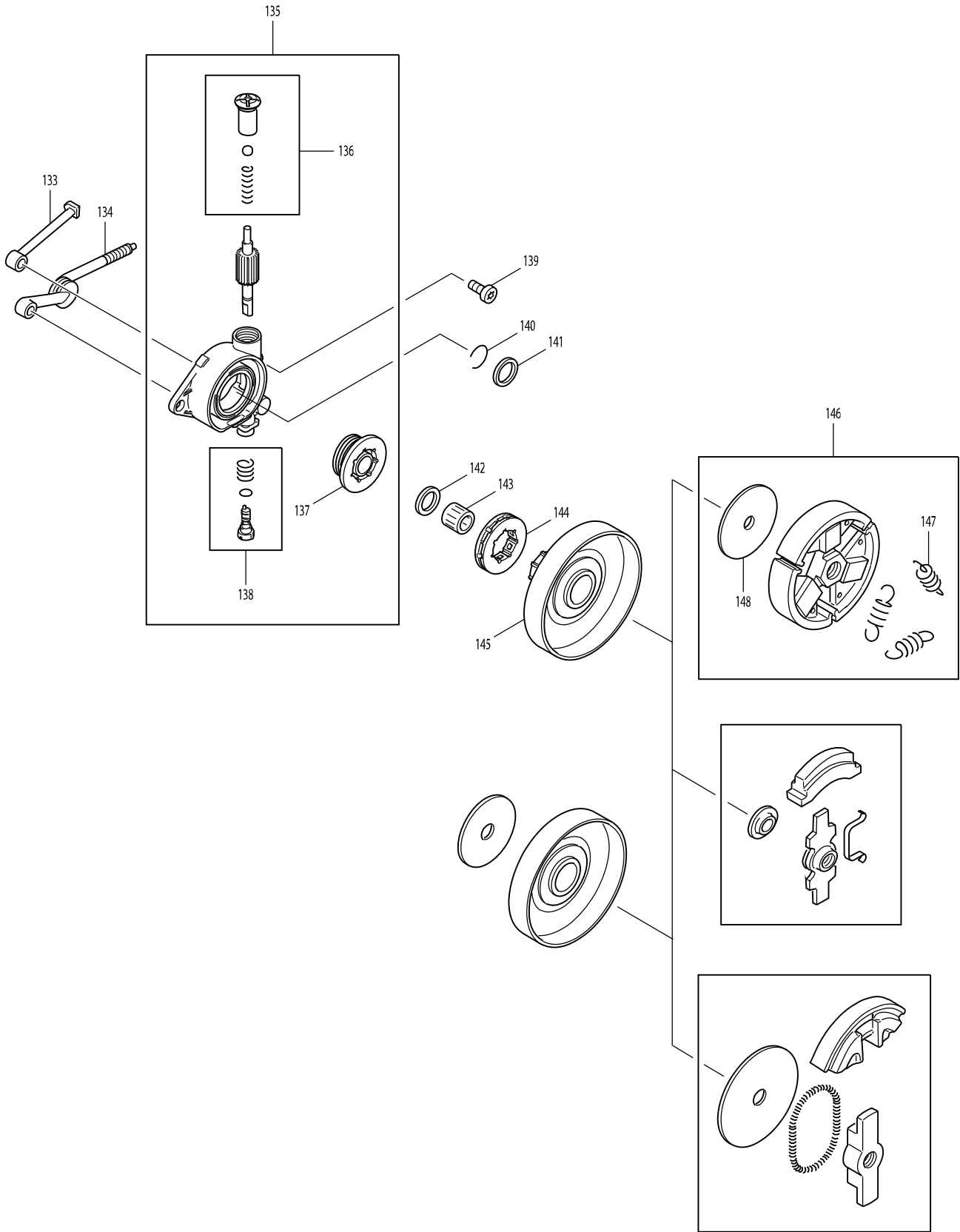
Model No. DCS430 ENGINE CHAIN SAW



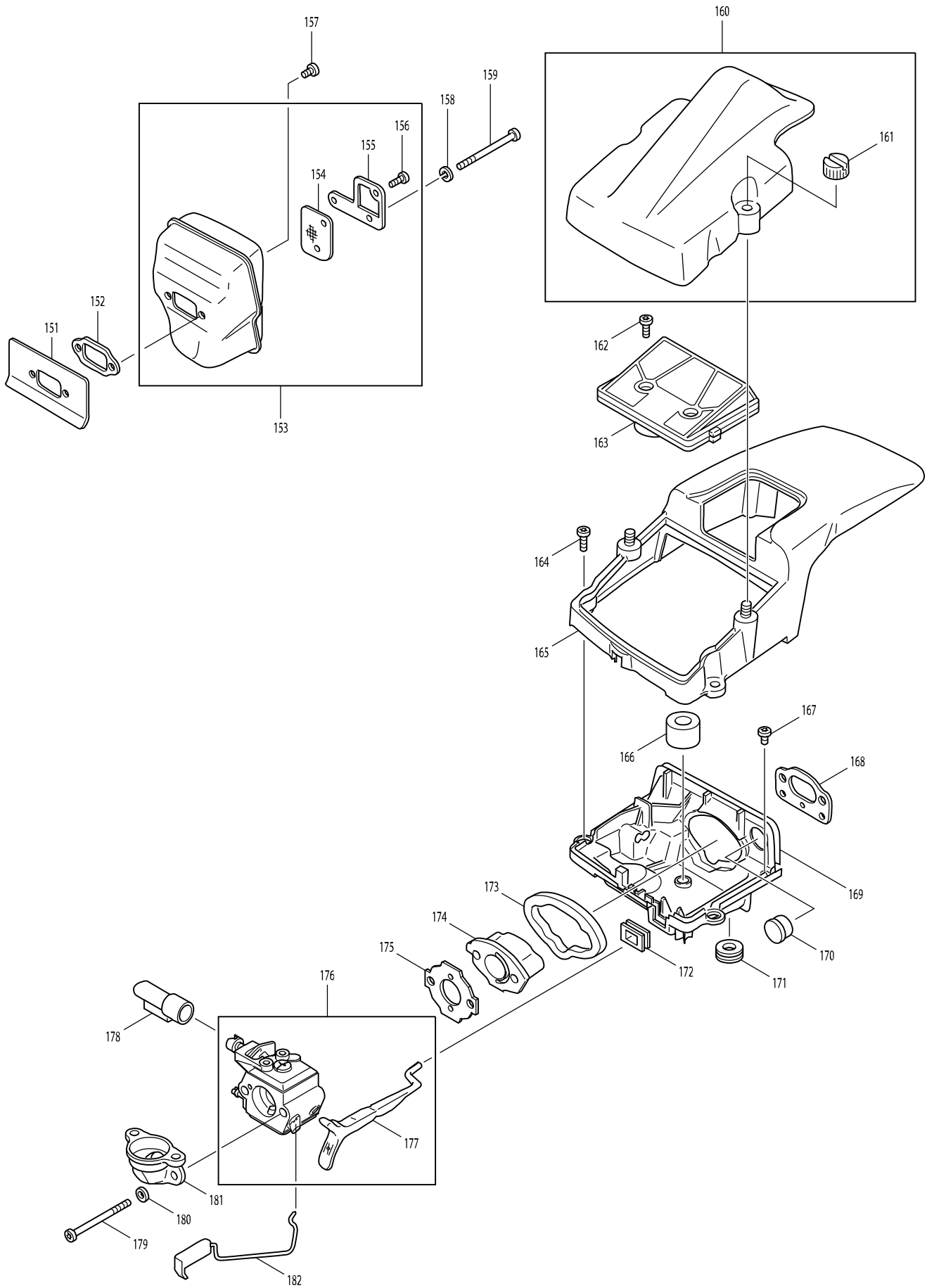
Model No. DCS430 ENGINE CHAIN SAW



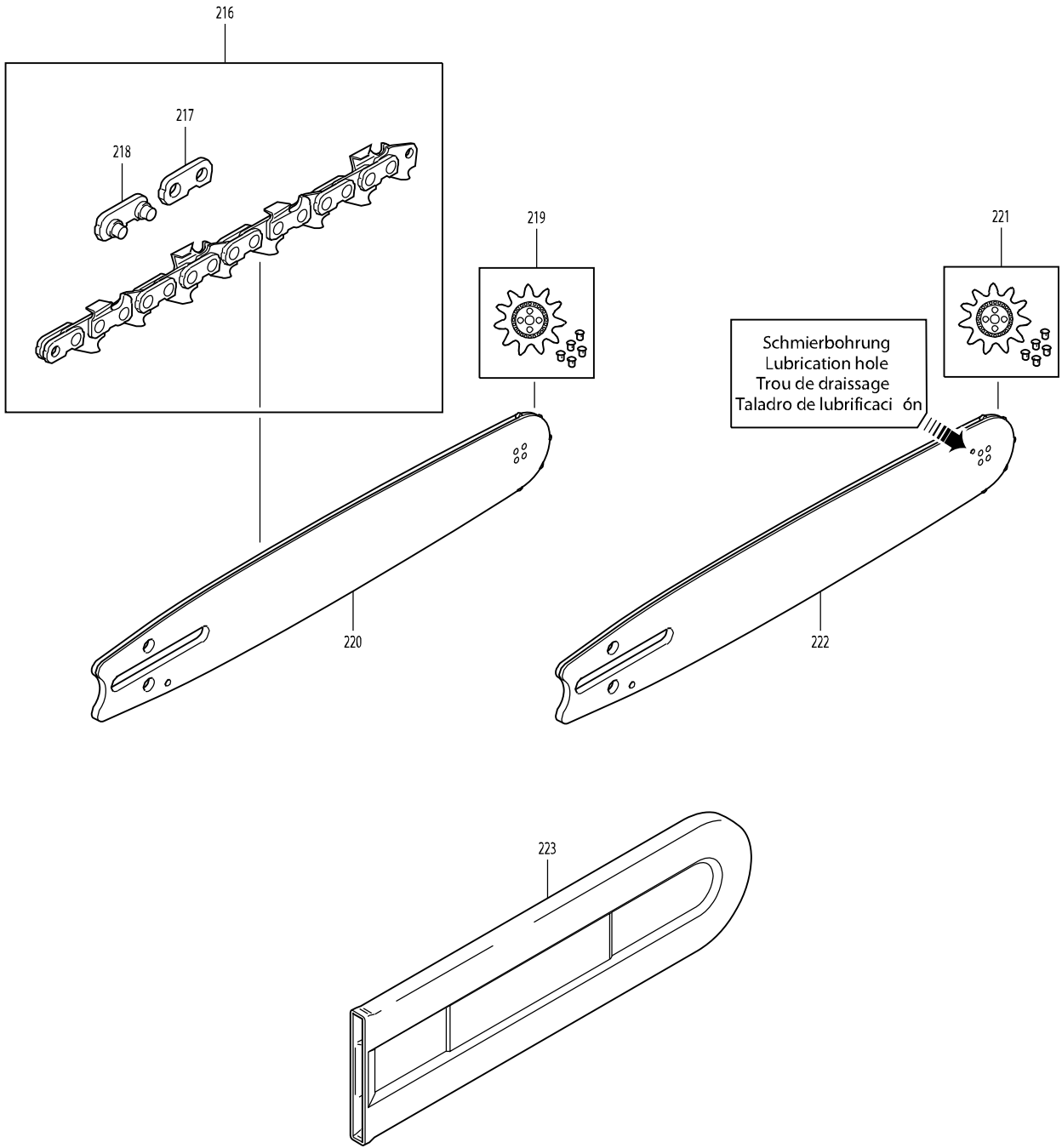
Model No. DCS430 ENGINE CHAIN SAW



Model No. DCS430 ENGINE CHAIN SAW



Model No. DCS430 ENGINE CHAIN SAW



Item	Parts No.	Description	I/C	Qty	N/O	Opt. 1	Opt. 2	Note
001	908005205	FILLISTER HEAD SCREW M5X20		4				
002	001142012	CRAMP		1				
003	965401011	RUBBER BUSHING		1				
005	965525042	GASKET		1				
006	020130030	CYLINDER/PISTON CPL.		1				
D10		INC. 7						
007	032132011	PISTON ASSY.(40MM)		1				
D10		INC. 8-10						
008	021132230	PISTONRING(40MM)		1				
009	001132010	PISTON PIN		1				
010	020132050	SPRING RING		2				
011	962900050	RADIAL RING		1	*			
011-1	962900156	RADIAL RING	O	1				
012	020111631	CRANKCASE(MAG.)		1				
013	936430160	SPIRAL CLAMPING PIN		2				
014	965525002	GASKET		1				
015	960102129	BALLBEARING 6201		1				
016	939620371	KEY		1				
017	020120010	CRANKSHAFT		1				
018	962211030	NEEDLE CAGE		1				
019	027213520	HEXAGONAL HEAD SCREW		1				
020	020111660	CRANKCASE CPL.(CL.)		1				
D10		INC. 21-23						
021	027213320	LEAF SPRING		1				
022	934950160	CLAMPING SLEEVE		1				
023	960102159	BALL BAERING 6202		1				
024	027213270	SPRING		1				
025	027213510	RING		1				
026	027213500	SHOULDER NUT		1				
027	962900052	RADIAL RING		1				
028	010114031	OIL TANK PLUG ASSY.		1	*			
D10		INC. 29			*			
028-1	010114032	OIL TANK PLUG ASSY	O	1				
D10		INC. 29						
029	963100050	GASKET		1	*			
029-1	963100051	GASKET	O	1				
031	908605145	FILLISTER HEAD SCREW M5X14		1				
032	020173610	COVER FOR PREFILTER		1	*			
032-1	020173612	COVER FOR PREFILTER	O	1				
033	020173011	PREFILTER		1				
034	908105204	COUNTERSUNK SCREW M5X20		1	*			
034-1	908105205	COUNTERSUNK SCREW M5X20	O	1				
035	965401011	RUBBER BUSHING		1				
036	908005305	FILLSTER HEAD SCREW M5X30		6				
037	923305000	SQUARE NUT		1				
038	020111070	CRAMP		1				
039	980113841	LABEL		1	*			
039-1	980115888	LABEL	O	1				

Item	Parts No.	Description	I/C	Qty	N/O	Opt. 1	Opt. 2	Note
040	957605112	SHORT-CIRCUIT SWITCH CPL.		1				
041	020250020	SPIKE BAR ASSY.		1				
D10		INC. 42						
042	908005095	SCREW M5X9		2				
043	389213080	TENSIONING SCREW		1	*			
043-1	389213081		O	1				
044	001213020	NUT WITH PIVOT		1				
045	905808305	GUDGEON M8X30		1				
046	020111172	SPIKE BAR ASSY.		1				
047	915135100	THREAD FORMING SCREW 3.5X9.5		1	*			
047-1	915535100	THREAD FORMING SCREW 3.5X9.5	O	1				
048	010245010	VENT VALVE, OIL		1				
049	908005125	FILLISTER HEAD SCREW M5X12		1				
050	020111082	CHAIN CATCH		1				
051	001111011	SPECIAL SCREW M12		3	*			
051-1	001111012		O	3				
054	957310027	TUBULAR HANDLE ASSY.		1	*			
D10		INC. 55-60			*			
054-1	957310027	TUBULAR HANDLE ASSY.	O	1				
D10		INC. 55-57						
055	965403490	RUBBER BUFFER		1				
056	021114051	FIXING BUSH		1				
057	908005305	FILLSTER HEAD SCREW M5X30		1				
058	913455164	SCREW 5.5X16		2				
059	020310600	COVER		1	*			
059-1	020310601	COVER	O	1				
060	913455164	SCREW 5.5X16		2				
061	020114640	TANK ASSY.		1				
D10		INC. 62,64,66-70,72-74						
062	965451901	TANK PLUG ASSY.(FUEL)		1				
D10		INC. 63						
063	963232045	PACKING RING		1				
D10		INC. 65						
064	963601120	SUCTION HEAD		1				
065	963601240	FELT		1				
067	957114010	VENT VALVE ASSY.		1	*			
067-1	957114011	VENT VALVE ASSY.	O	1				
068	020117160	BEND SPRING		1				
069	020117301	CATCH LEVER		1				
070	020117290	THROTTLE LEVER/LINKAGE CPL.		1				
D10		INC. 71						
071	020117273	SPRING		1				
072	965404520	GASKET		1	*			
072-1	965404521	GASKET	O	1				
073	965404460	FUEL LINE		1				
074	935932320	CYLINDRICAL PIN 3.25X32		3				
075	913447134	SCREW 4.7X13		3				
076	965403280	RUBBER BUFFER		3	*			

Item	Parts No.	Description	I/C	Qty	N/O	Opt. 1	Opt. 2	Note
076-1	965403282	RUBBER BUFFER	O	3				
077	908005165	FILLISTER HEAD SCREW M5X16		4				
078	026160640	STARTER ASSY.		1				
D10		INC. 79,80,82-87						
079	965402262	STARTER GRIP		1				
080	020112630	FAN HOUSING CPL.		1				
082	020163031	REWIND SPRING		1				
083	915135100	THREAD FORMING SCREW 3.5X9.5		3	*			
083-1	915535100	THREAD FORMING SCREW 3.5X9.5	O	3				
084	985000155	STARTER ROPE		1				
085	027162070	CABLE DRUM		1				
086	924108400	DISC 8.4		1				
087	929108080	SAFETY DISC		1				
088	020112010	AIR DUCT		1				
089	920308024	HEXAGONAL NUT M8		1				
090	928308001	SPRING WASHER 8X17		1				
091	957604260	PLUG CAP CPL.		1				
D10		INC. 92						
092	965604180	SPRING		1				
093	965603021	SPARK PLUG BPMR7A		1				
094	970502050	TUBE		1				
095	970502110	INSULATING HOSE		1				
096	908605205	SCREW M5X20		2				
097	027140000	IGNITION ASSY.		1	*			
D10		INC. 98,101			*			
097-1	027140001	IGNITION ASSY.	O	1				
D10		INC. 98,101						
098	027141020	FLYWHEEL ASSY.		1	*			
D10		INC. 99			*			
098-1	027141021	FLYWHEEL ASSY.	O	1				
D10		INC. 99						
099	108166051	STARTER RATCHET ASSY.		1				
D10		INC. 100						
100	122166020	SPRING		2				
101	020143030	IGNITION COIL CPL.		1	*			
D10		INC. 102,103			*			
101-1	020143031	IGNITION COIL CPL.	O	1				
D10		INC. 102,103						
102	001147000	SHORT-CIRCUIT CABLE		1				
103	970310200	IGNITION CABLE 14-1/8"		1				
104	027213452	HAND GUARD CPL.		1				
D10		INC. 105-109						
105	905005184	SCREW 5.5X18		1				
106	027213221	DISENGAGING LEVER		1				
107	027213462	HAND GUARD		1				
108	980114237	LABEL		1				
109	027213430	BUSHING SET		1				
D10		INC. 110-111						

Item	Parts No.	Description	I/C	Qty	N/O	Opt. 1	Opt. 2	Note
110	027213150	RUBBER BUSH		1				
111	027213161	BUSH		1				
112	908005205	FILLISTER HEAD SCREW M5X20		1				
113	923208004	HEXAGONAL NUT M8		2				
114	027213651	CHAIN BRAKE ASSY.		1	*			
D10		INC. 115-132			*			
114-1	027213652	CHAIN BRAKE ASSY.	O	1				
D10		INC. 115-132						
115	027213130	SHAFT FOR BRAKE LEVER		1				
116	027213140	SHAFT FOR LEVER		1				
117	980114388	LABEL DCS430		1				
118	027213280	PROTECTION COVER		1				
119	027213350	BRAKE HAND HOLDER		1				
120	913205125	SCREW M5X12		1				
121	027213050	BRAKE SPRING CPL.		1				
122	924500049	DISC		1				
123	913205125	SCREW M5X12		1				
124	027213111	COVER PLATE		1				
125	913205125	SCREW M5X12		1				
126	927304000	SAFETY WASHER		1				
127	027111041	GUIDE PLATE		1	*			
127-1	027111042	GUIDE PLATE	O	1				
128	915135100	THREAD FORMING SCREW 3.5X9.5		1	*			
128-1	915535100	THREAD FORMING SCREW 3.5X9.5	O	1				
129	927304000	SAFETY WASHER		1				
130	913205125	SCREW M5X12		1				
131	027213120	SPRING		1				
132	027213560	RUBBER PLATE		1				
133	020245020	PRESSURE LINE		1				
134	020245040	SUCTION LINE, OIL, ASSY.		1				
135	027245160	OIL PUMP CPL.		1				
D10		INC.136-138						
136	030245070	REPAIR KIT CPL.		1				
137	027245010	PUMP DRIVE		1				
138	030245070	REPAIR KIT CPL.		1				
139	908005125	FILLISTER HEAD SCREW M5X12		2				
140	930916160	SPRING RING		1				
141	001245320	STOP RING		1				
142	027245020	STOP DISC		1	*			
142-1	027245021	STOP DISC	O	1				
143	962210025	NEEDLE CAGE		1				
144	020224070	RIM SPROCKET		1				
145	027223020	CLUTCH DRUM		1	*			
145-1	027223101	CLUTCH DRUM	O	1				
146	957180030	CLUTCH CPL.		1				
D10		INC. 147-148						
147	024184021	TENSION SPRING		3	*			
147-1	181184020	TENSION SPRING	O	3				

Item	Parts No.	Description	I/C	Qty	N/O	Opt. 1	Opt. 2	Note
148	001182060	GUIDE DISC		1				
151	020174170	HEAT SHIELD		1				
152	965522032	GASKET		1	*			
152-1	965522033	GASKET	O	1				
153	020174160	MUFFLER		1				
157	908005095	SCREW M5X9		1				
158	928405000	SPRING WASHER		2				
159	908205625	FILLISTER HEAD SCREW M5X62		2				
160	020118121	COVER ASSY.		1				
D10		INC. 161						
161	001118062	NUT M5		2				
162	908605145	FILLISTER HEAD SCREW M5X14		2				
163	020173202	AIR FILTER CPL.(NYLON)		1				
164	908005165	FILLISTER HEAD SCREW M5X16		3				
165	027118154	HOOD		1				
166	965404780	GASKET		1				
167	908005095	SCREW M5X9		1				
168	965525032	GASKET		1				
169	027118054	BOTTOM		1				
170	965404230	STOPPER		1	*			
170-1	965404230	STOPPER	O	1				
171	965401024	RUBBER BUSH		1				
172	965404410	RUBBER BUSH		1				
173	965404341	GASKET		1				
174	020131041	INTER MEDIATE FLANGE		1	*			
174-1	020131043	INTER MEDIATE FLANGE	O	1				
175	965524022	GASKET		1	*			
175-1	965524023	GASKET	O	1				
176	027151010	INJECTION CARBURETOR		1	*			
D10		INC. 177,188-215			*			
176-1	957151100	INJECTION CARBURETOR	O	1				
D10		INC. 177,188-215						
177	027150830	CHOKE LEVER		1				
178	020118030	GUIDE PIECE		1				
179	908205658	FILLISTER HEAD SCREW M5X65		2				
180	924105300	WASHER 5.3		2				
181	020171100	CONNECTING MUFF		1				
182	020117281	THROTTLE LINKAGE CPL.		1				
186	027151010	INJECTION CARBURETOR		1	*			
186-1	027151010	INJECTION CARBURETOR	O	1	*			
D10		INC. 177,188-215			*			
186-2	957151100	INJECTION CARBURETOR	O	1				
D10		INC. 177,188-215						
188	001151240	IDLE STOP SCREW		1				
189	021151230	PRESSURE SPRING		1				
190	118151190	SCREW		1				
191	001151165	PUMP COVER		1				
192	021151540	SET GASKET/DIAPHRAGM		1				

