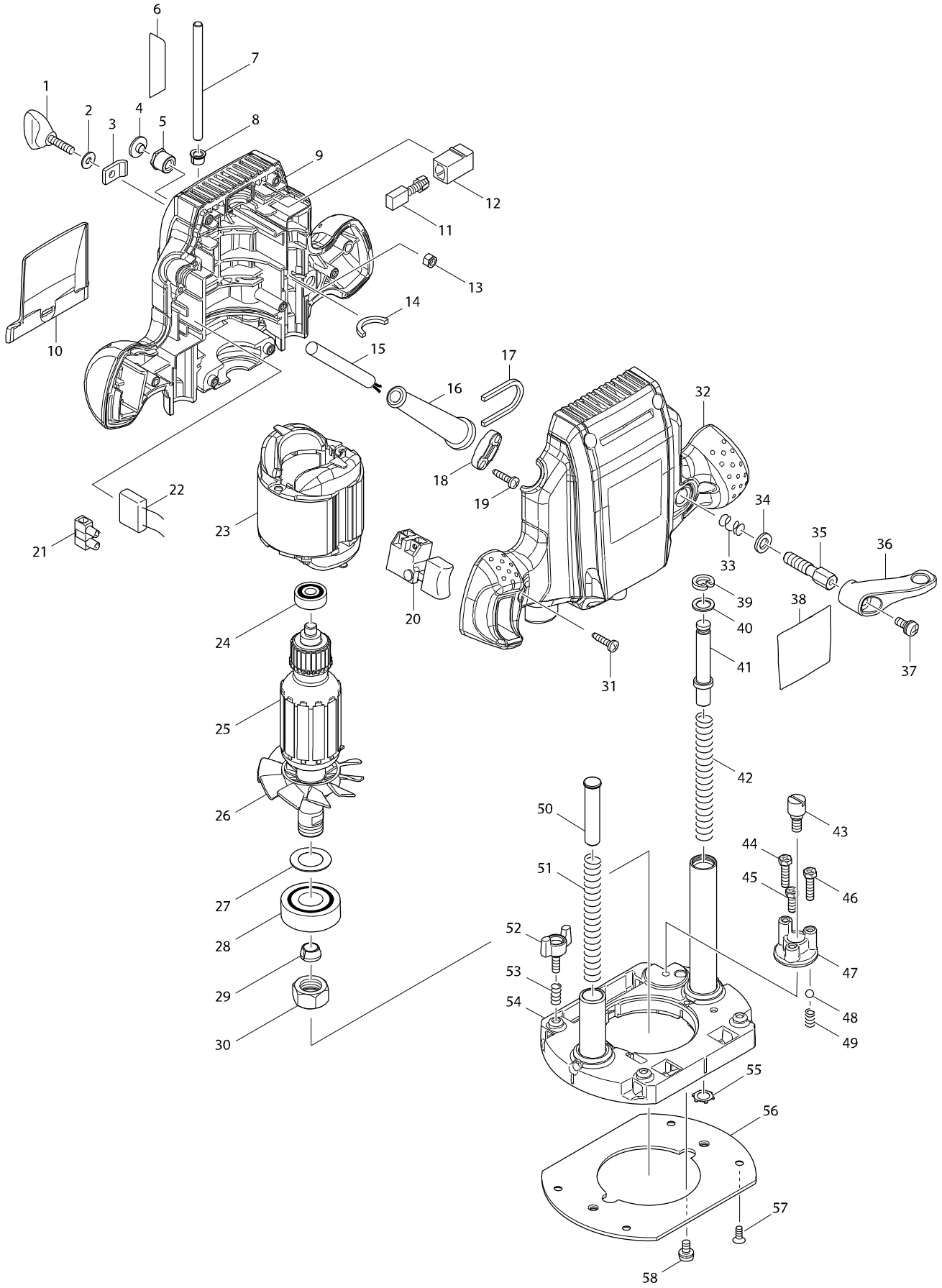


Model No. RP0900 ROUTER



Item	Parts No.	Description	I/C	Qty	N/O	Opt. 1	Opt. 2	Note
001	251878-6	SCREW M5X20		1				
002	941101-4	FLAT WASHER 5		1				
003	346007-5	PRESSURE PLATE		1				
004	424156-9	RUBBER CAP		1	*			
005	252094-3	HEX. NUT M8		1				
006	816925-6	SCALE LABEL		1	*			
006-1	816924-8	SCALE LABEL	<	1				
007	321948-6	STOPPER POLE		1				
008	451035-8	DEPTH POINTER		1				
009	188696-8	HOUSING SET		1				
C10	263002-9	RUBBER PIN 4		3				
C20	263005-3	RUBBER PIN 6		1				
D10		INC. 13,32						
010	450820-6	CHIP DEFLECTOR		1				
011	181410-1	CARBON BRUSH CB-106		1				
012	643601-7	BRUSH HOLDER 6-10		2				
013	931202-6	HEX. NUT M5		1				
014	443073-4	FELT		1				
015	692021-2	POWER SUPPLY CORD 1.0-2-2.5		1				
016	682569-2	CORD GUARD 8-85		1				
017	443074-2	FELT		1				
018	687123-7	STRAIN RELIEF		1				
019	266326-2	TAPPING SCREW 4X18		2				
020	651280-7	SWITCH SGE115CDY-5		1				
023	594594-0	FIELD ASS'Y 240V		1				
C10	654037-5	INSULATED TERM. FT1.25-M3		2	*			
C11	654037-5	INSULATED TERM. FT1.25-M3	O	2				
024	210044-4	BALL BEARING 608DDW		1				
025	513779-9	ARMATURE ASS'Y 240V		1				
D10		INC. 24,26-28						
026	241835-2	FAN 72		1	*			
026-1	240123-4	FAN 72	<	1				
027	267114-0	FLAT WASHER 17		1				
028	211278-2	BALL BEARING 6203DDW		1				
029	763619-3	COLLET CONE 3/8"		1				
030	763615-1	COLLET NUT		1				
031	266326-2	TAPPING SCREW 4X18		7				
032	188696-8	HOUSING SET		1				
C10	263002-9	RUBBER PIN 4		3				
C20	263005-3	RUBBER PIN 6		1				
D10		INC. 9,13						
033	233110-0	COMPRESSION SPRING 8		1				
034	941202-8	FLAT WASHER 8		1				
035	266460-8	SET BOLT M8		1	*			
035-1	266920-0	SET BOLT M8	S	1				
036	450821-4	LEVER 47		1				
037	911213-7	PAN HEAD SCREW M5X12		1				
038	866313-7	RP0900 NAME PLATE		1				

