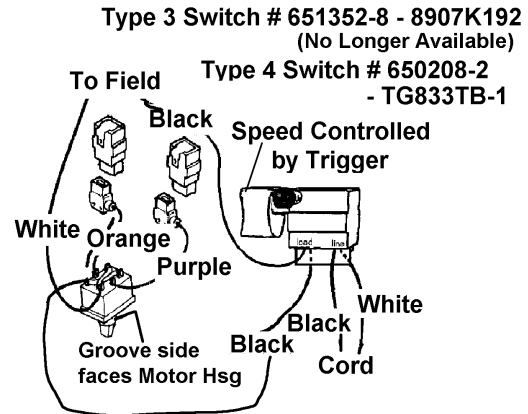
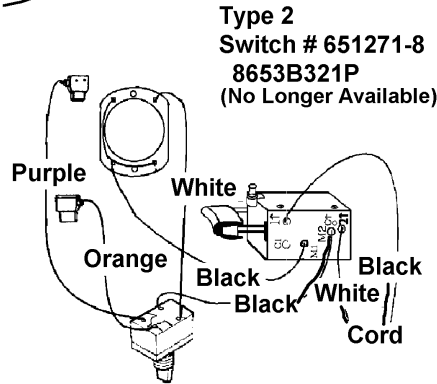
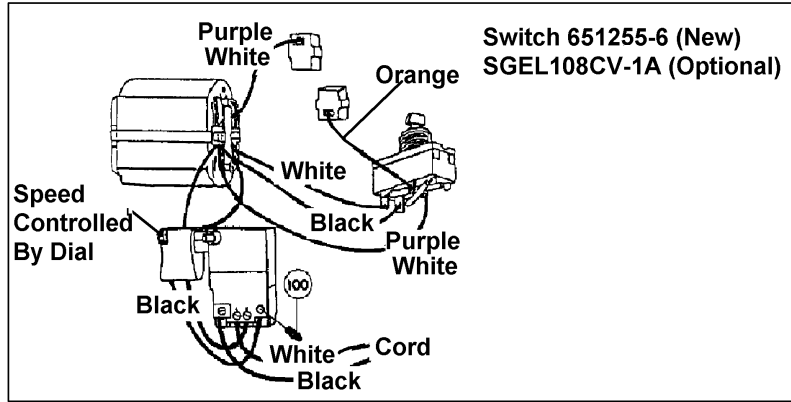
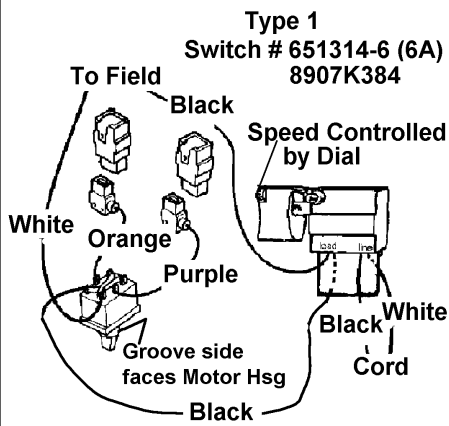


WIRING DIAGRAM



Item No.	Part No.	No. Used	Description	Item No.	Part No.	No. Used	Description
1	261058-6	1	Sponge Washer 11	25	263014-2	1	Rubber Pin 4
2	214154-9	1	Plane Bearing 14	26	681614-0	1	Insulation Washer
3	415199-2	1	Lock Ring *	27	511836-7	1	Armature Assy (With Items 24, 26, 28 & 29) (Old 617221-3)
4	231280-9	1	Compression Spring 32	28	241881-5	1	Fan 52
5	421315-6	1	Flinger	29	211031-6	1	Ball Bearing 608LLB (Old 211033-2 - 608LB)
6	157727-4	1	Gear Housing (With Item 2)	30	253192-6	1	Flat Washer 14
7	232050-9	1	Leaf Spring	31	911173-3	3	P.H. Screw M4x45 (With Washer)
8	216001-0	1	Steel Ball 3.5	32	263002-9	1	Rubber Pin 4
9	134436-2	1	Spindle (With Items 7, 8 & 41)	33	911581-8	2	(+) P.H. Screw M4x55 (Old 251334-6)
10	223075-4	1	Clutch Cam	34	191910-3	2	Carbon Brush CB-401 (With Brush Holder)
11	231434-8	1	Compression Spring 22	35	911124-6	2	P.H. Screw M4x14 (With Washer)
12	253341-5	2	Thin Washer 22	36	213162-7	1	O Ring 14 *
13	221753-0	1	Helical Gear 46	37	*	1	Dust Cover
14	212057-1	1	Thrust Needle Bearing 1023(MJ)	38	*	1	Handle Cover (With Item 19)
	216413-7	1	Thrust Needle Bearing 1023(MCA)	39	911153-9	3	P.H. Screw M4x28 (With Washer)
15	254031-3	1	Woodruff Key 3	40	*	1	Speed Switch Variable
16	322142-3	1	Gear Shaft	41	214021-8	1	Plane Bearing 5
17	157726-6	1	Gear Housing Cover Com. (With Items 32 & 42)(MJ)	42	214012-9	1	Plane Bearing 6
	159552-9	1	Gear Housing Cover Com. (With Items 32 & 42)(MCA)	43	*	1	Reversing Switch
18	157725-8	1	Motor Housing (With Item 25)	44	911133-5	2	P.H. Screw M4x18 (With Washer)
19	817613-8	1	Caution Label (Eng/Fr)	45	687002-9	1	Strain Relief
20	343407-0	1	Hook	46	682502-4	1	Cord Guard 8-85
21	633021-3	1	Field	47	664013-1	1	Cord With Plug 2P-18-2.5
22	410923-8	1	Baffle Plate	48	686015-7	2	Receptacle Sleeve
23	253192-6	1	Flat Washer 14	49	*	1	O Ring 22.4
24	211028-5	1	Ball Bearing 627LB	50	216008-6	3	Steel Ball 4
				51	654069-2	2	Receptacle
				52	152407-7	1	Stopper Com. (With Items 1 & 36)*
				53	415053-0	1	Adjust Sleeve*
				54	421445-3	1	Adjust Sleeve Cover (Add)*
				100	652030-3	4	(-) Set Screw M3x7.5

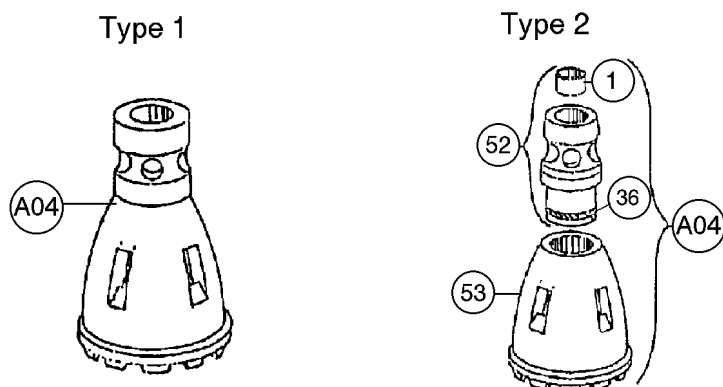
* SEE SERVICE CHANGES

Item No.	Part No.	No. Used	Description	Item No.	Part No.	No. Used	Description
Accessories				A03	181949-4	1	Metal Carrying Case (Old 823152-8)
A01	-----	1	Insert Bit (See Catalogue for Details)		824700-6	1	Plastic Carrying Case(Includes Items A05 & A06)
A02	784807-9	1	Magnetic Bit Holder 6.35-60	A04	*	1	Locator Assy (With Items 52 & 53)
				A05	417496-2	2	Latch
				A06	417497-0	1	Handle

* SEE SERVICE CHANGES

SERVICE CHANGES

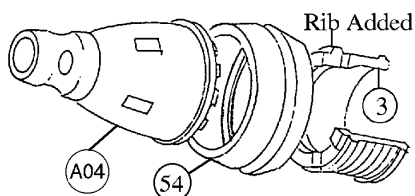
1. Change on Locator Assy.



Item No.	Description	Type 1	Type 2
36	O Ring 14	----	213162-7
52	Stopper Com (With Items 1 & 36)	----	152407-7
53	Adjust Sleeve	----	415053-0
A04	Locator Assy	122358-8 (With Item 1)	122450-0 (With Items 52 & 53)
	Serial No.	~ 199186E	199187E ~

Above parts are completely interchangeable as a set.

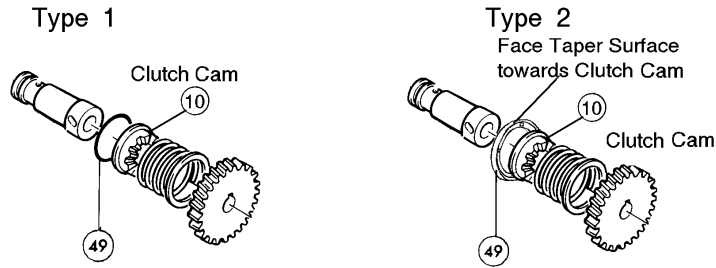
2. Change on Lock Ring & Addition of Adjust Sleeve Cover.



Item No.	Description	Type 1	Type 2
3	Lock Ring	410924-6(No Longer Available)	415199-2
54	Adjust Sleeve Cover	----	421445-3 (Added)
	Serial No.	~ 218066, 218267~219526	218067 ~ (Except 218267~219526)

Above parts are completely interchangeable as a set.

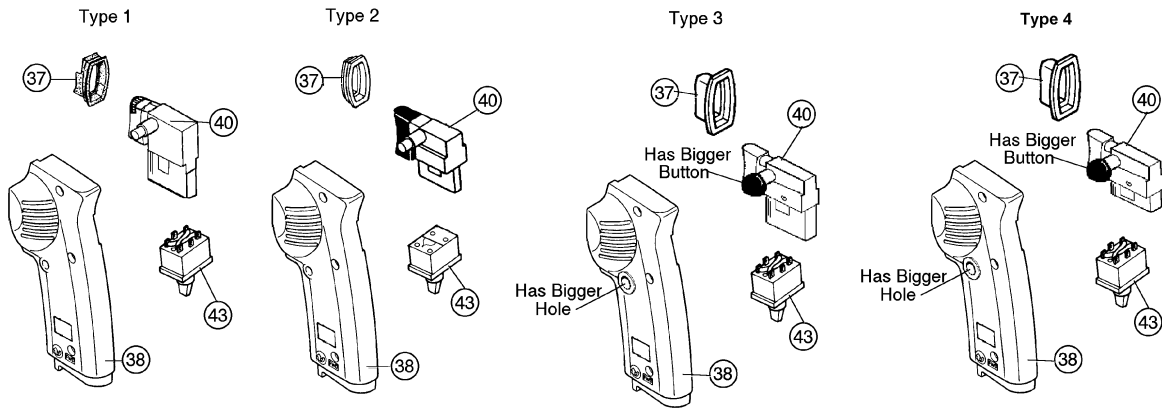
3. Change on O Ring.



Item No.	Description	Type 1	Type 2
49	O Ring 22.4 / Ring 20	213008-7 (O Ring 22.4)	421392-8 (Ring 20)
	Serial No.	~ 283294	283295 ~

Above parts are completely interchangeable as a set.

4. Change on Handle Cover, Dust Cover, Switch, etc.



Item No.	Description	Type 1	Type 2	Type 3	Type 4	Type 5
37	Dust Cover / Switch Cover	421145-5	411852-8	421144-7		
38	Handle Cover	150011-6		414308-0		416013A5
40	Switch V.S. (With Lock)	651314-6 (8907K384)	651271-8 (8635B321P) (No Longer Available)	651352-8 (8907K192) (No Longer Available)	650208-2 (TGB33TB-1)	
43	Reversing Switch	651461-3 (Discontinued)	651478-6	651475-2		
	Serial No.	~ 261922E	261923E ~ 271806	10001 ~ N/A	N/A	N/A

Above parts are completely interchangeable as a set.