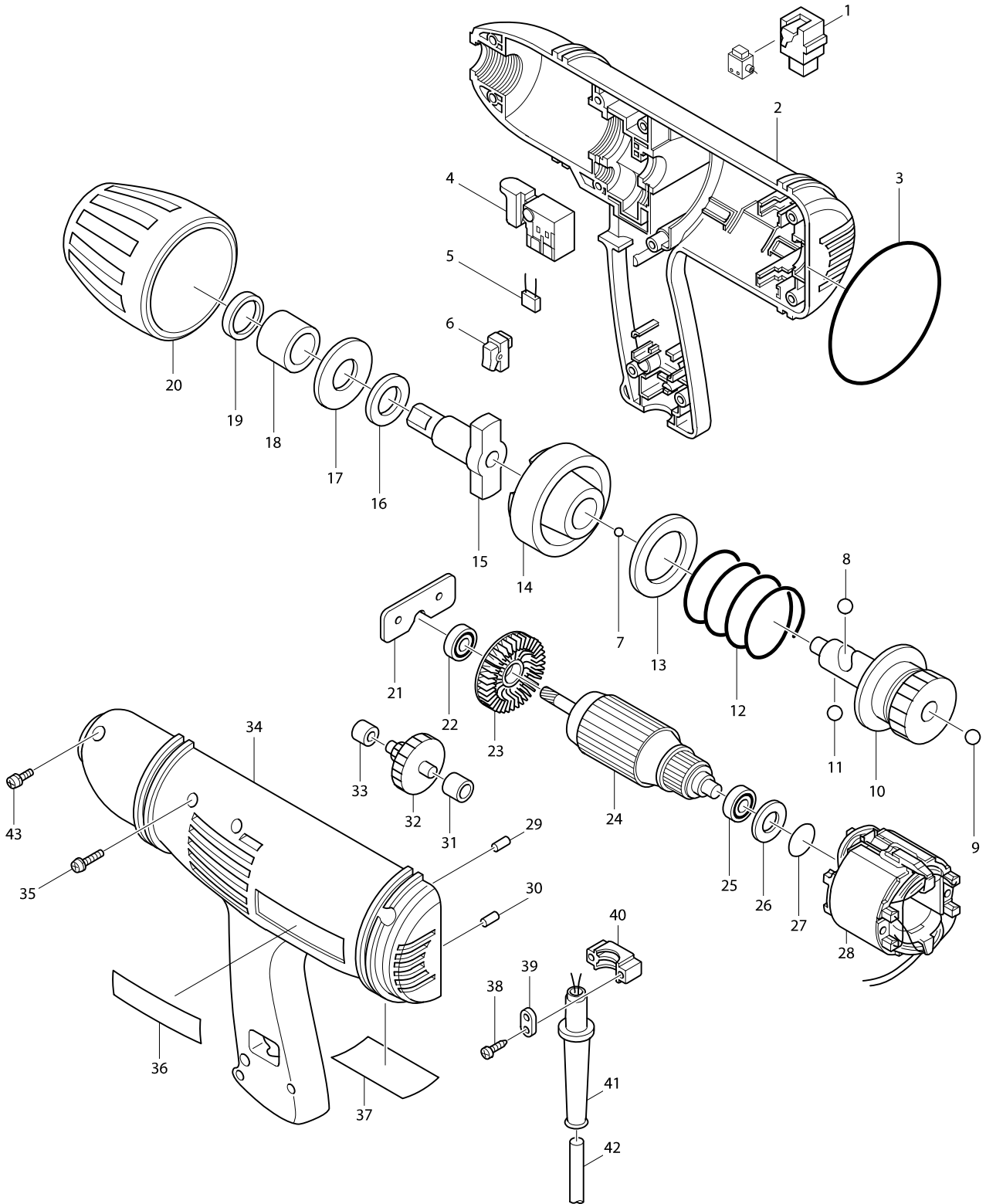


# Model No. 6905H IMPACT WRENCH



# Model No. 6905H IMPACT WRENCH

Item	Parts No.	Description	I/C	Qty	N/O	Sales	Purch.	Note
001A1	191950-1	CARBON BRUSH CB-415		1				
002	182471-4	HOUSING SET		1				
D10		INC. 29,30,34						
003	213718-6	O RING 70		1				
004A_	651234-4	SWITCH SGE206C		1				
006	651556-2	SWITCH VLX11		1				
007	216008-6	STEEL BALL 4		31				
008	216007-8	STEEL BALL 6.4		1				
009	216007-8	STEEL BALL 6.4		1				
010	153199-1	SPINDLE COMPLETE		1				
011	216007-8	STEEL BALL 6.4		1				
012	231493-2	COMPRESSION SPRING 34		1				
013	267079-6	FLAT WASHER 34		1				
014	322391-2	HAMMER		1				
015	322503-7	ANVIL		1	*			
015-1	324357-8	ANVIL	<	1				
016	253937-2	FLAT WASHER 18		1				
017	261089-5	RUBBER WASHER 18		1				
018	257637-6	SLEEVE 18		1				
019	213257-6	OIL SEAL 18		1				
020	421375-8	BUMPER		1	*			
020-1	421747-7	BUMPER	O	1				
021	162149-5	CUSHION PLATE		1				
022	211031-6	BALL BEARING 608LLB		1				
023	241850-6	FAN 60		1				
024C_	516053-4	ARMATURE ASS'Y 220V		1				
D10		INC. 22,23,25						
025	211026-9	BALL BEARING 627LLB		1	*			
025-1	210025-8	BALL BEARING 627LLB	O	1				
026	253192-6	FLAT WASHER 14		1				
027	213262-3	O RING 18		1				
028C1	634178-3	FIELD 220V	X	1				
029	263002-9	RUBBER PIN 4		1				
030	263002-9	RUBBER PIN 4		1				
031	214012-9	PLANE BEARING 6		1				
032	226100-0	GEAR COMPLETE 16-38		1				
033	214022-6	PLANE BEARING 8		1				
034	182471-4	HOUSING SET		1				
D10		INC. 2,29,30						
035	911148-2	PAN HEAD SCREW M4X25		10	*			
035-1	911148-2	PAN HEAD SCREW M4X25	O	8	*			
035-2	911546-0	PAN HEAD SCREW M4X25	X	8				
036	819003-1	MAKITA LABEL		1				
037	856688-2	NAME PLATE 6905H		1				
038	265941-9	TAPPING SCREW BT 4X18		2	*			
038-1	265995-6	TAPPING SCREW 4X18	O	2				
039B_	687063-9	CORD CLAMP		1				
040	687051-6	STRAIN RELIEF		1				

**Model No. 6905H IMPACT WRENCH**

Item	Parts No.	Description	I/C	Qty	N/O	Sales	Purch.	Note
041A_	682502-4	CORD GUARD 8-85		1				
042O_	692021-2	POWER SUPPLY CORD 1.0-2-2.5		1				
043-1	911546-0	PAN HEAD SCREW M4X25		2				
A01-1	134831-6	SOCKET 19-38 ASS'Y	O	1				
D10		INC. A05-2,A07						
A02-1	134851-0	SOCKET 22-38 ASS'Y	O	1				
D10		INC. A05-2,A06-1						
A03-1	134841-3	SOCKET 24-45 ASS'Y	O	1				
D10		INC. A05-2,A06-1						
A04	182494-2	STEEL CARRYING CASE		1	*			
C10	835241-7	INNER CASE		1	*			
A04-1	824698-7	PLASTIC CARRYING CASE	O	1				
C10	182935-8	SLIDE LATCH (R.L) SET		1				
A05-2	268057-9	PIN 4	O	1				
A06-1	213399-6	O-RING 25	X	1				
A07	213398-8	O RING 24		1				

Please order the parts with a part number.

Print Date 05/10/2016