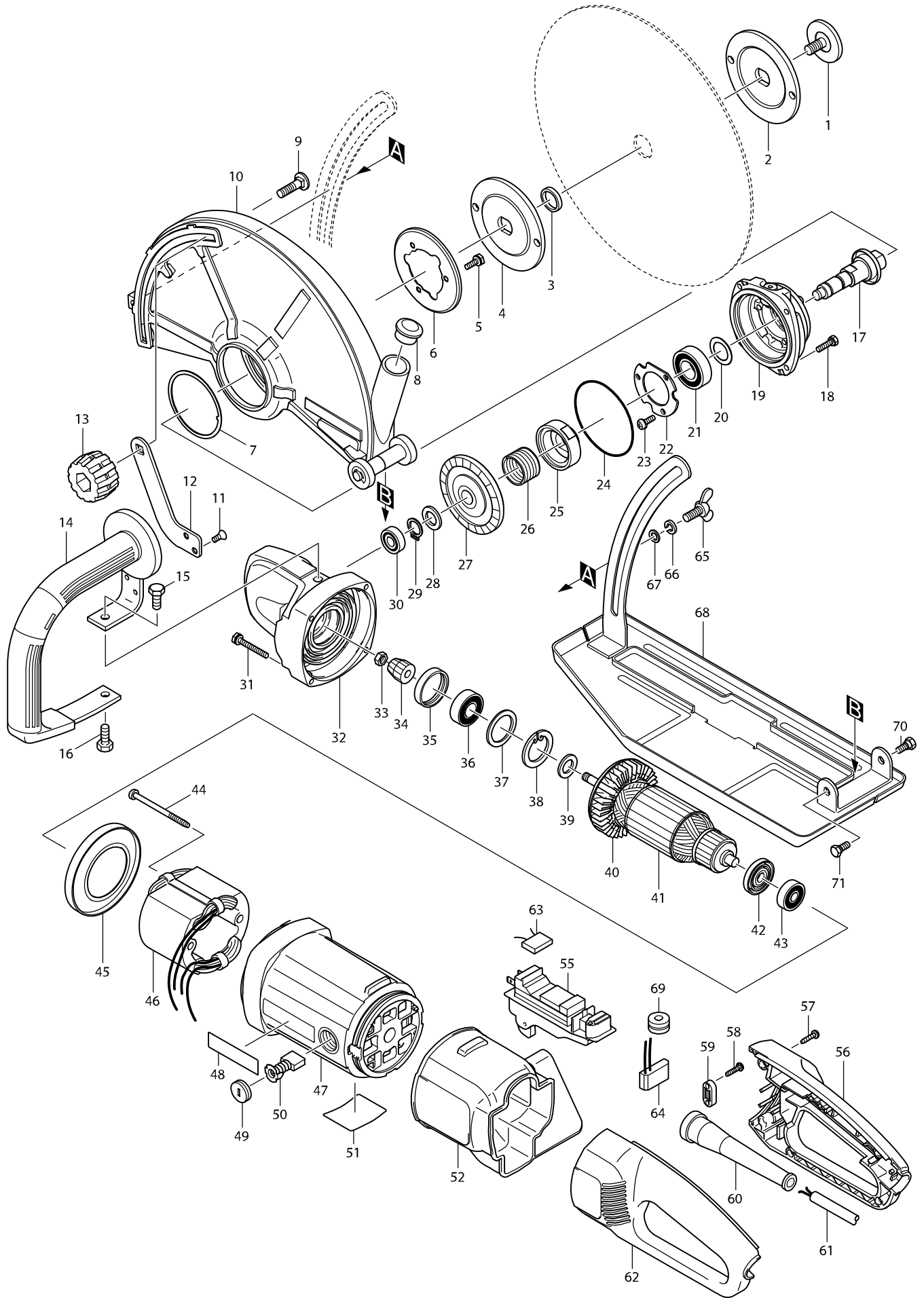


# Model No. 4112HS ANGLE CUTTER 305MM



# Model No. 4112HS ANGLE CUTTER 305MM

Item	Parts No.	Description	I/C	Qty	N/O	Opt. 1	Opt. 2	Note
001	265265-3	HEX. BOLT M10X25		1				
002	224184-2	INNER FLANGE 100		1				
003	257054-0	RING 20		1				
004	224184-2	INNER FLANGE 100		1				
005	925221-2	+ HEX. BOLT M5X16		3	*			
005-1	925216-5	+ HEX. BOLT M5X14	<	3				
006	345269-2	PRESSURE PLATE		1				
007	341853-1	PLATE B		1				
008	286268-4	CAP 31		1	*			
008-1	286289-6	CAP 32	<	1				
009	265845-5	CAP SQUARE NECK BOLT M8X30		1				
010	125185-2	WHEEL COVER ASS'Y		1				
C10	257091-4	RING 12		2				
C20	961015-1	STOP RING E-9		2				
C30	817574-2	CAUTION LABEL		1				
011	912202-5	COUNTERSUNK HEAD SCREW M5X8		2				
012	345291-9	LOCK PLATE		1				
013	252648-6	THUMB NUT M8		1				
014	273655-6	GRIP		1				
015	921432-7	HEX. BOLT M8X20		1				
016	921432-7	HEX. BOLT M8X20		1				
017	153541-6	SPINDLE COMPLETE		1				
018	265502-5	+ HEX. BOLT M5X20		4				
019	153539-3	BEARING BOX COMPLETE		1				
020	267041-1	FLAT WASHER 20		1				
021	211326-7	BALL BEARING 6004DDW		1	*			
021-1	211326-7	BALL BEARING 6004DDW	O	1				
022	285708-9	BEARING RETAINER 50		1				
023	911221-8	PAN HEAD SCREW M5X16		3				
024	213757-6	O RING 80		1				
025	331644-8	LOCK SLEEVE		1				
026	233922-1	LOCK SPRING 24		1				
027	227438-6	SPIRAL BEVEL GEAR 48		1				
028	267251-0	FLAT WASHER 15		1				
029	961055-9	RETAINING RING S-15		1				
030	211061-7	BALL BEARING 6000LLB		1				
031	925261-0	+ HEX. BOLT M5X40		4				
032	153542-4	GEAR HOUSING COMPLETE		1				
033	252178-7	HEX. NUT M8-12		1				
034	227440-9	SPIRAL BEVEL GEAR 9		1				
035	262554-7	RUBBER RING 36		1				
036	211228-7	BALL BEARING 6202DDW		1				
037	267250-2	FLAT WASHER 30		1				
038	962157-4	RETAINING RING R-40		1				
039	267251-0	FLAT WASHER 15		1				
040	240060-2	FAN 80		1				
041	516888-3	ARMATURE ASS'Y 220-240V		1				
D10		INC. 40,42,43						

**Model No. 4112HS ANGLE CUTTER 305MM**

Item	Parts No.	Description	I/C	Qty	N/O	Opt. 1	Opt. 2	Note
042	681630-2	INSULATION WASHER		1				
043	211087-9	BALL BEARING 6200DDW		1				
044	266059-9	TAPPING SCREW 5X75		2				
045	416131-9	BAFFLE PLATE		1				
046	626134-7	FIELD 220-240V		1				
047	183564-0	MOTOR HOUSING		1				
C10	643707-1	BRUSH HOLDER		2				
D10		INC. 48						
048	819064-1	MAKITA MARK		2				
049	643710-2	BRUSH HOLDER CAP		2				
050	191957-7	A.C. CARBON BRUSH CB-204		1				
051	850449-2	NAME PLATE 4112HS		1				
052	421831-8	DUST COVER		1				
055	651159-2	SWITCH 1362.0106		1	*			
055-1	651181-9	SWITCH 1362.0114	O	1				
056	183615-9	HANDLE SET		1				
C10	421833-4	SPONGE SHEET		1				
D10		INC. 62						
057	266045-0	TAPPING SCREW 4X20		5				
058	265995-6	TAPPING SCREW 4X18		2				
059	687053-2	STRAIN RELIEF		1				
060	682560-0	CORD GUARD 10		1				
061	692607-2	POWER SUPPLY CORD 1.5-2-2.5		1				
062	183615-9	HANDLE SET		1				
C10	421833-4	SPONGE SHEET		1				
D10		INC. 56						
064	631553-4	SOFT START CIRCUIT		1				
065	924426-1	WING BOLT M8X20		1				
066	942201-3	SPRING WASHER 8		1				
067	941201-0	FLAT WASHER 8		1				
068	165343-8	BASE		1				
070	265506-7	SHOULDER HEX. BOLT M6		1				
071	265506-7	SHOULDER HEX. BOLT M6		1				
A01	782210-8	SOCKET WRENCH 17		1				
A02	824697-9	PLASTIC CARRYING CASE		1	*			
C10	416401-6	LATCH		2	*			
C20	819145-1	MAKITA LOGO LABEL		1	*			
A02-1	824697-9	PLASTIC CARRYING CASE	O	1				
C10	163467-4	LATCH		2				
C20	819145-1	MAKITA LOGO LABEL		1				