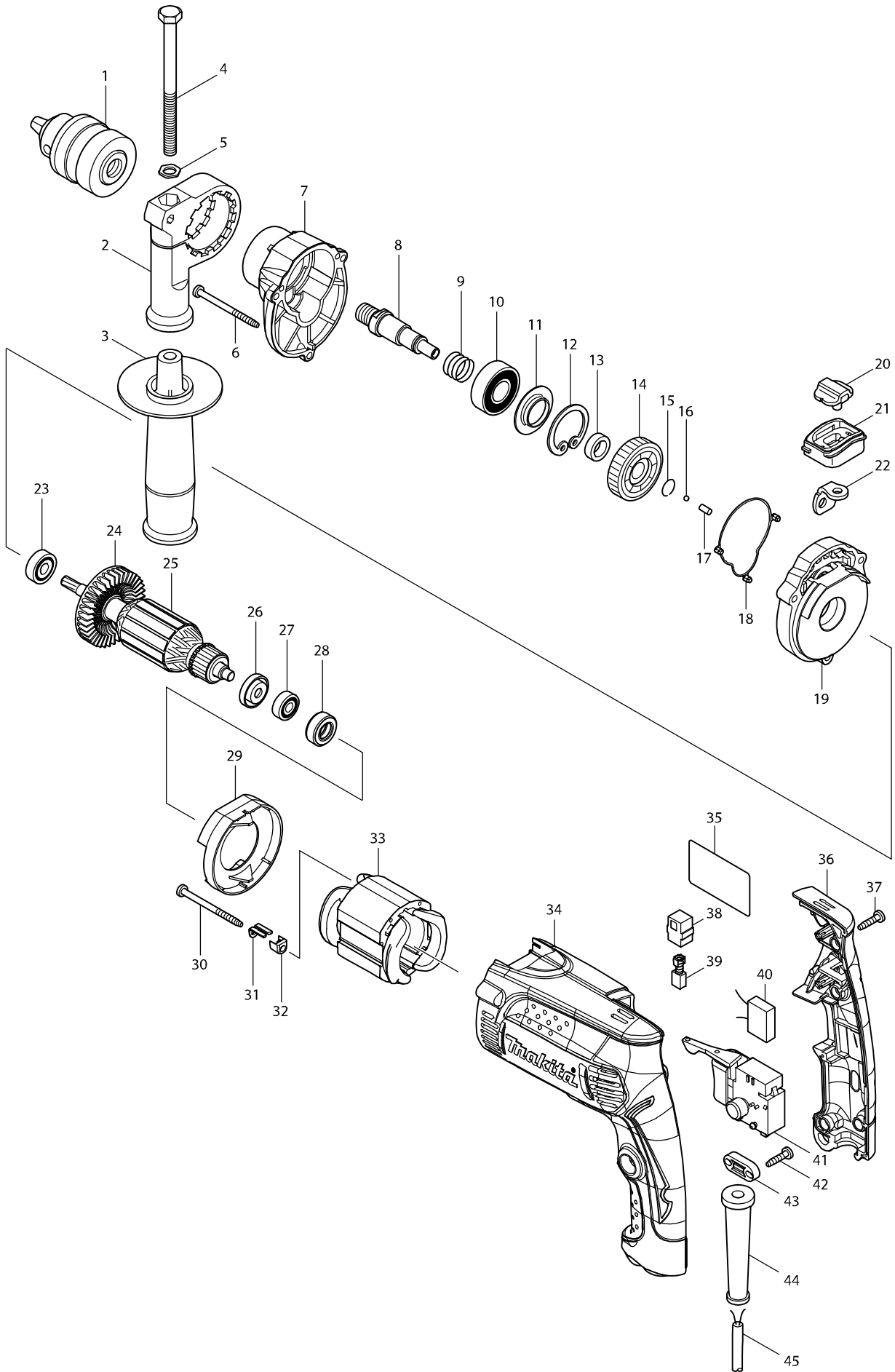


# Model No. HP1630 HAMMER DRILL 16MM



Item	Parts No.	Description	I/C	Qty	N/O	Opt. 1	Opt. 2	Note
001	763161-4	DRILL CHUCK S13		1				
002	417630-4	GRIP BASE		1				
003	153503-4	GRIP 36 COMPLETE		1				
004	265495-6	HEX. BOLT M8X110		1				
005	345280-4	HEX. WASHER		1				
006	266361-0	TAPPING SCREW 4X30		3				
007	450619-9	GEAR HOUSING		1				
008	324223-9	SPINDLE		1				
009	233330-6	COMPRESSION SPRING 16		1				
010	211241-5	BALL BEARING 6202DDW		1				
011	257246-1	RING 19		1				
012	962153-2	RETAINING RING R-35		1				
013	257173-2	RING 12		1				
014	226589-2	HELICAL GEAR 37		1	*			
014-1	227806-3	HELICAL GEAR 37	S	1				
015	233938-6	RING SPRING 12		1				
016	216001-0	STEEL BALL 3.5		1				
017	256251-5	PIN 4		1				
018	424112-9	SEAL RING		1				
019	158676-8	GEAR HOUSING COVER COMPLETE		1				
020	417819-4	CHANGE LEVER		1				
021	450621-2	LEVER CASE		1				
022	345944-0	CHANGE PLATE		1				
023	211031-6	BALL BEARING 608LLB		1				
024	241869-5	FAN 55		1				
D10		INC. 23,24,26,27			*			
025A	515309-2	ARMATURE ASS'Y 240V		1	*			
025G	518153-6	ARMATURE ASS'Y 115V		1	*			
D10		INC. 23,24,26,27						
025-1A	513439-3	ARMATURE ASS'Y 240V	S	1				
025-1G	518170-6	ARMATURE ASS'Y 115V	S	1				
026	681636-0	INSULATION WASHER		1				
027	211021-9	BALL BEARING 607LLB		1				
028	421808-3	RUBBER RING 19		1				
029	450620-4	BAFFLE PLATE		1				
030	266415-3	TAPPING SCREW 4X55		2				
031	344871-8	RETAINER		2				
032	417237-6	INSULATION COVER		2				
033A	626604-6	FIELD 240V		1				
033G	628183-0	FIELD 115V		1				
034	450617-3	MOTOR HOUSING		1				
035	865364-7	HP1630 NAME PLATE		1				
036	158677-6	HANDLE COVER COMPLETE		1				
037	266326-2	TAPPING SCREW 4X18		4				
038A	643563-9	BRUSH HOLDER 5X8		2	*			
038-1A	643566-3	BRUSH HOLDER 5X8	O	2				
038-1G	643566-3	BRUSH HOLDER 5X8		2				
039	191998-3	CARBON BRUSH CB-85		1				

