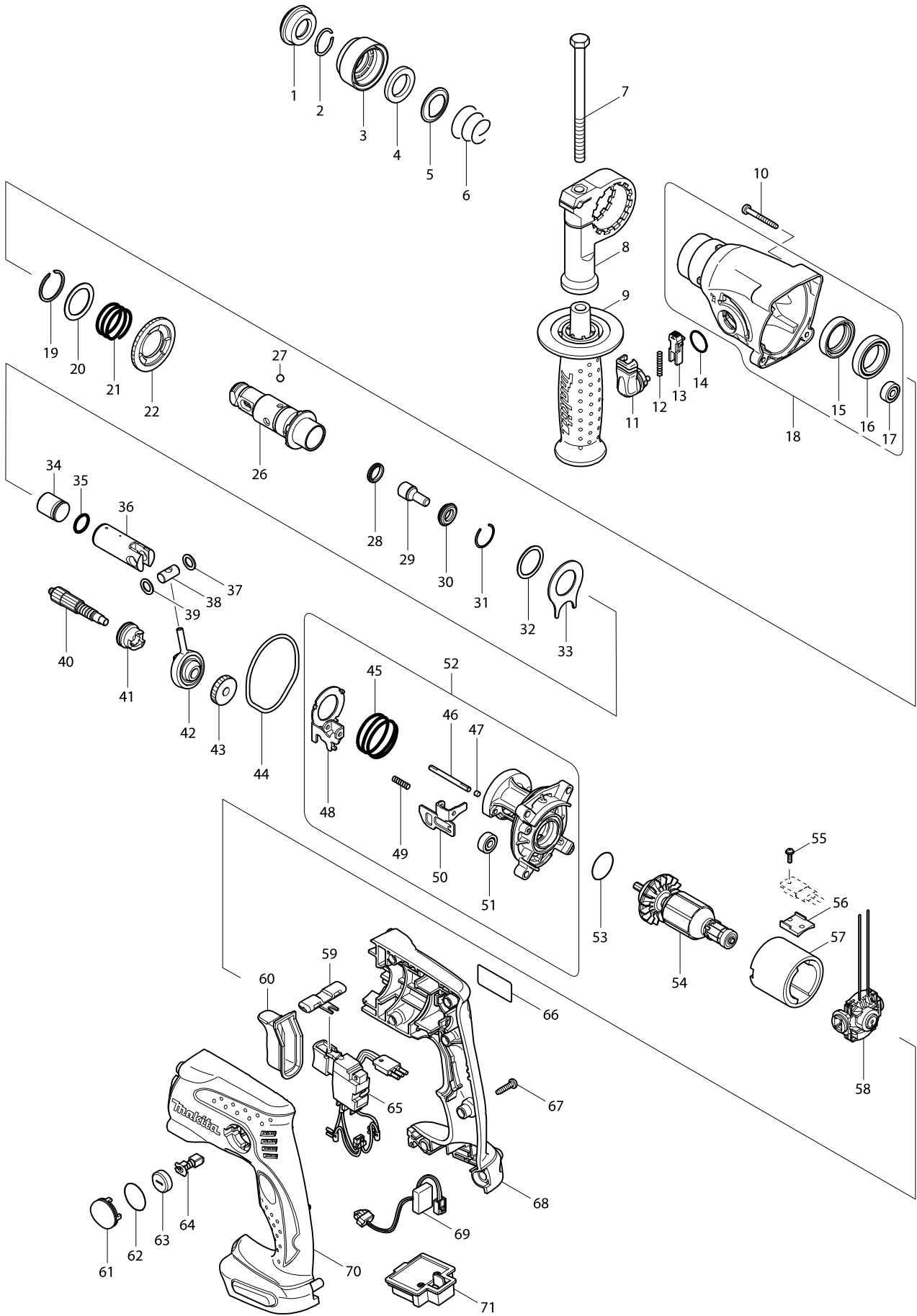


Model No. BHR162 CORDLESS ROTARY HAMMER 16MM



Model No. BHR162 CORDLESS ROTARY HAMMER 16MM

Item	Parts No.	Description	I/C	Qty	N/O	Sales	Purch.	Note
001	286263-4	CAP 35		1				
002	233940-9	RING SPRING 19		1				
003	419220-9	CHUCK COVER		1				
004	257241-1	RING 21		1				
005	345187-4	GUIDE WASHER		1				
006	233916-6	CONICAL COMP. SPRING 21-29		1				
007	921923-8	HEX. BOLT M8X120		1				
008	417911-6	GRIP BASE		1				
009	154842-5	GRIP 36 COMPLETE		1				
C10	931402-8	HEX. NUT M8		1				
010	266053-1	TAPPING SCREW 4X35		4				
011	162242-5	CHANGE LEVER COMPLETE		1				
012	233459-8	COMPRESSION SPRING 3		1				
013	419192-8	LOCK BUTTON		1				
014	213278-8	O RING 17		1				
015	213956-0	OIL SEAL 25		1				
016	211375-4	BALL BEARING 6805LLB		1				
017	211012-0	BALL BEARING 606ZZ		1				
018	154840-9	GEAR HOUSING COMPLETE		1				
D10		INC. 15-17						
019	961135-1	RETAINING(EXT) WR-25		1				
020	267304-5	FLAT WASHER 25		1				
021	233457-2	COMPRESSION SPRING 25		1				
022	331707-0	SPUR GEAR 46		1				
026	154843-3	TOOL HOLDER COMPLETE		1				
027	216022-2	STEEL BALL 7.0		1				
028	213183-9	X RING 13		1				
029	324611-0	IMPACT BOLT		1				
030	257275-4	RING 11		1				
031	233942-5	RING SPRING 22		1				
032	267175-0	FLAT WASHER 24		1				
033	345681-6	JOINT PLATE		1				
034	324613-6	STRIKER		1				
035	213182-1	O RING 14		1				
036	331708-8	PISTON CYLINDER		1				
037	267130-2	FLAT WASHER 9		1				
038	324612-8	PISTON JOINT		1				
039	267130-2	FLAT WASHER 9		1				
040	227152-4	SPUR GEAR 10		1				
041	331706-2	CLUTCH CAM		1				
042	219019-0	SWASH BEARING 9		1				
043	226623-8	HELICAL GEAR 22		1				
044	423346-1	SEAL RING		1				
045	233458-0	COMPRESSION SPRING 32		1				
046	268147-8	PIN 4		1				
047	443123-5	FELT 4X3		1				
048	345645-0	CHANGE PLATE		1				
049	233460-3	COMPRESSION SPRING 3		1				

Model No. BHR162 CORDLESS ROTARY HAMMER 16MM

Item	Parts No.	Description	I/C	Qty	N/O	Sales	Purch.	Note
050	345654-9	STOPPER PLATE		1				
051	211012-0	BALL BEARING 606ZZ		1				
052	154841-7	INNER HOUSING COMPLETE		1				
D10		INC. 45-51						
053	213953-6	O RING 24		1				
054	619182-3	ARMATURE		1				
055A	266282-6	TAPPING SCREW ST3X10		1	*			
055-1A	911011-9	PAN HEAD SCREW M3X10	X	1				
055-1C	911011-9	PAN HEAD SCREW M3X10		1				
056A	689136-4	FET SPACER		1	*			
057	638446-6	YOKE UNIT		1				
058	638445-8	ENDBELL COMPLETE		1				
059	419457-8	F/R CHANGE LEVER		1				
060	421957-6	SWITCH COVER		1				
061	419456-0	HOLDER CAP COVER		2				
062	213953-6	O RING 24		2				
063	643929-3	BRUSH HOLDER CAP		2				
064	191971-3	CARBON BRUSH CB-430		1				
065A	650578-9	SWITCH TG553FSB-6		1	*			
065-1A	638879-5	SWITCH UNIT	X	1				
065-1C	638879-5	SWITCH UNIT		1				
066	862842-8	BHR162 NAME PLATE		1				
067	265995-6	TAPPING SCREW 4X18		7				
068-1A	188233-8	HOUSING SET		1	*			
D10		INC. 70			*			
068-2A	187379-7	HOUSING SET	X	1				
D10		INC. 70						
068-2C	187379-7	HOUSING SET		1				
D10		INC. 70						
069	631711-2	LIGHT CUIRCUIT		1				
070-1A	188233-8	HOUSING SET		1	*			
D10		INC. 68			*			
070-2A	187379-7	HOUSING SET	X	1				
D10		INC. 68						
070-2C	187379-7	HOUSING SET		1				
D10		INC. 68						
071A	643811-6	TERMINAL		1	*			
071-1A	643867-9	TERMINAL	X	1				
071-1C	643867-9	TERMINAL		1				
A01	415486-9	DEPTH GAUGE		1				
A02-1C	***DC18RC	DC18RC FAST CHARGER		1				
A03-5C	194065-3	BATTERY BL1430 SET		2	*			
A03-6C	194065-3	BATTERY BL1430 SET	O	2				
A04-4C	141074-3	PLASTIC CARRYING CASE COMPLETE		1				
C10	324667-3	SHAFT		1				
C20	413098-2	PLATE		4				
C30	417724-5	LATCH		2				
C40	419215-2	PLASTIC CASE LID		1				

