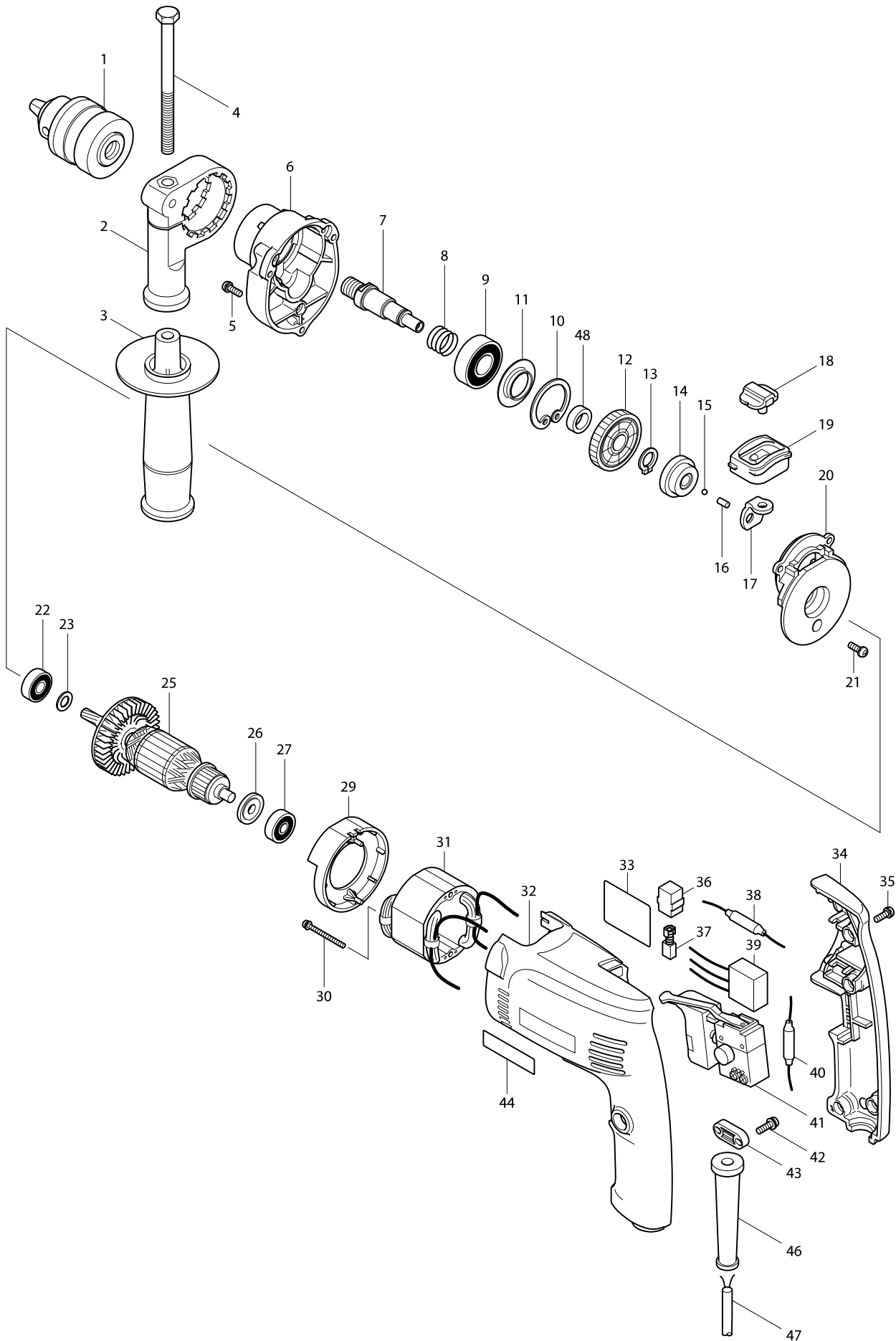


Model No. MT811 HAMMER DRILL 13MM



Model No. MT811 HAMMER DRILL 13MM

| Item | Parts No. | Description | I/C | QTY | N/O | Opt. 1 | Opt. 2 | NOTE |
|-------|-----------|------------------------------|-----|-----|-----|--------|--------|------|
| 001 | 763161-4 | DRILL CHUCK S13 | | 1 | | | | |
| 002 | 417822-5 | GRIP BASE | | 1 | | | | |
| 003 | 152521-9 | GRIP 36 COMPLETE | | 1 | * | | | |
| 003-1 | 153503-4 | GRIP 36 COMPLETE | O | 1 | | | | |
| 004 | 265495-6 | HEX. BOLT M8X110 | | 1 | | | | |
| 005 | 265099-4 | PAN HEAD SCREW M4X14 | | 3 | | | | |
| 006 | 417818-6 | GEAR HOUSING | | 1 | | | | |
| 007 | 324223-9 | SPINDLE | | 1 | | | | |
| 008 | 233330-6 | COMPRESSION SPRING 16 | | 1 | | | | |
| 009 | 211241-5 | BALL BEARING 6202DDW | | 1 | | | | |
| 010 | 962153-2 | RETAINING RING R-35 | | 1 | | | | |
| 011 | 257246-1 | RING 19 | | 1 | | | | |
| 012 | 226554-1 | HELICAL GEAR 39 | | 1 | * | | | |
| 012-1 | 226586-8 | HELICAL GEAR 37 | O | 1 | | | | |
| 013 | 961052-5 | RETAINING RING S-12 | | 1 | | | | |
| 014 | 153299-7 | CAM COMPLETE | | 1 | | | | |
| 015 | 216001-0 | STEEL BALL 3.5 | | 1 | | | | |
| 016 | 256251-5 | PIN 4 | | 1 | | | | |
| 017 | 345228-6 | CHANGE PLATE | | 1 | | | | |
| 018 | 417819-4 | CHANGE LEVER | | 1 | | | | |
| 019 | 417820-9 | LEVER CASE | | 1 | | | | |
| 020 | 317553-5 | INNER HOUSING | | 1 | | | | |
| 021 | 265098-6 | PAN HEAD SCREW M4X12 | | 3 | | | | |
| 022 | 210029-0 | BALL BEARING 608ZZ | | 1 | | | | |
| 023 | 267240-5 | FLAT WASHER 8 | | 1 | | | | |
| 025 | 619087-7 | ARMATURE 220V | | 1 | | | | |
| D10 | | INC. 22,23,26,27 | | | | | | |
| 026 | 681662-9 | INSULATION WASHER | | 1 | | | | |
| 027 | 210030-5 | BALL BEARING 627ZZ | | 1 | | | | |
| 029 | 417821-7 | BAFFLE PLATE | | 1 | | | | |
| 030 | 265097-8 | PAN HEAD SCREW M3X40 | | 2 | | | | |
| 031 | 529082-8 | FIELD ASS'Y 220V | | 1 | | | | |
| C10 | 654228-8 | RECEPTACLE | | 1 | | | | |
| 032 | 183472-5 | MOTOR HOUSING | | 1 | | | | |
| D10 | | INC. 44 | | | | | | |
| 034 | 417817-8 | HANDLE COVER | | 1 | | | | |
| 035 | 265099-4 | PAN HEAD SCREW M4X14 | | 4 | | | | |
| 036 | 643562-1 | BRUSH HOLDER 5X8 | | 2 | * | | | |
| 036-1 | 643552-4 | BRUSH HOLDER 5-8 | O | 2 | | | | |
| 037 | 191998-3 | CARBON BRUSH CB-85 | | 1 | * | | | |
| 037-1 | 194973-8 | CARBON BRUSH CB-85 | < | 1 | | | | |
| 041 | 650518-7 | SWITCH CGB-1103-A1A1 | | 1 | * | | | |
| 041-1 | 650555-1 | SWITCH FA1-3/2BEZ-3 | S | 1 | | | | |
| 042 | 265099-4 | PAN HEAD SCREW M4X14 | | 2 | | | | |
| 043 | 687124-5 | STRAIN RELIEF | | 1 | | | | |
| 044 | 819126-5 | MAKTEC LOGO LABEL | | 1 | | | | |
| 046 | 682569-2 | CORD GUARD 8-85 | | 1 | | | | |
| 047 | 691284-7 | POWER SUPPLY CORD 0.75-2-2.0 | | 1 | | | | |

