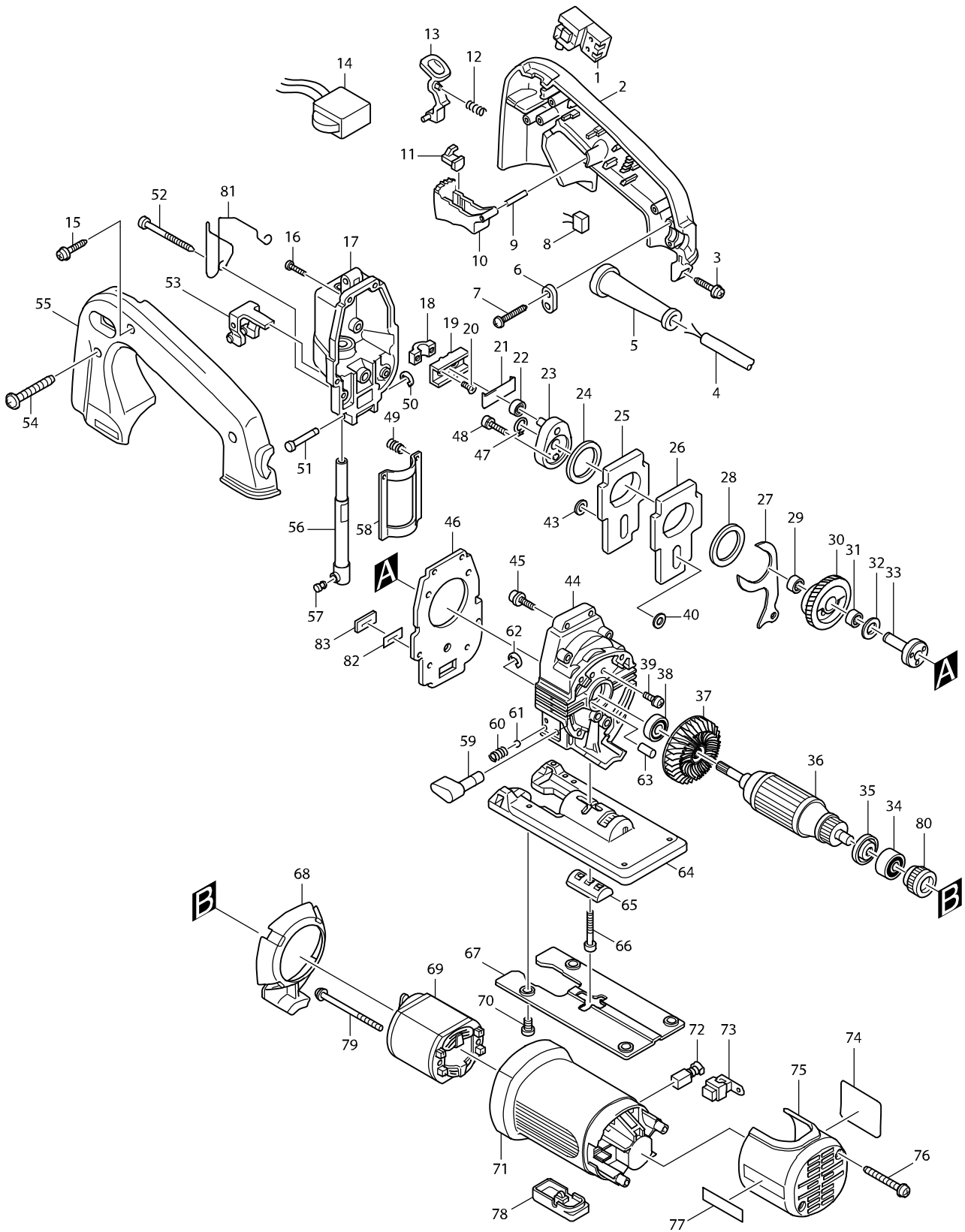


Model No. 4304 JIG SAW



Item	Parts No.	Description	I/C	Qty	N/O	Opt. 1	Opt. 2	Note
001	651922-3	SWITCH TG71B		1				
002	182680-5	HANDLE SET		1				
D10		INC. 55						
003A_	266120-2	TAPPING SCREW FLANGE PF4X20		1	*			
003A1	266045-0	TAPPING SCREW 4X20	O	1				
004D_G	664013-1	POWER SUPPLY CORD AWG#18-2-2.5		1				
004L_A	692021-2	POWER SUPPLY CORD 1.0-2-2.5		1				
005A_	682502-4	CORD GUARD 8-85		1				
006B_	687063-9	CORD CLAMP		1				
007A_	266121-0	TAPPING SCREW FLANGE PF 4X18		2	*			
007A1	265995-6	TAPPING SCREW 4X18	O	2				
009	256221-4	PIN 3		1				
010	415158-6	SWITCH LEVER		1				
011	415159-4	SPACER		1				
012	233101-1	COMPRESSION SPRING 4		1				
013	415534-4	LOCK-ON LEVER		1				
014G	631182-3	CONTROLLER 100/115V		1	*			
014-1G	631675-0	CONTROLLER	O	1				
014C_A	631202-3	CONTROLLER 200-240V		1	*			
014C1A	631678-4	CONTROLLER	O	1				
015A_	266120-2	TAPPING SCREW FLANGE PF4X20		2	*			
015A1	266045-0	TAPPING SCREW 4X20	O	2				
016	266034-5	TAPPING SCREW CT 4X16		2				
017	159716-5	GEAR HOUSING COVER COMPLETE		1	*			
C06	214005-6	PLANE BEARING 8		1	*			
C11	214061-6	PLANE BEARING 10		1	*			
C16	262064-4	SPONGE RING		1	*			
C21	267124-7	FLAT WASHER		1	*			
C26	267125-5	FLAT WASHER 9		1	*			
C31	423263-5	SPONGE SHEET 11-20		1	*			
C36	951057-3	SPRING PIN 3-12		2	*			
017-1	151596-5	GEAR HOUSING COVER COMPLETE	S	1	*			
C10	214005-6	PLANE BEARING 8		1	*			
C20	951057-3	SPRING PIN 3-12		2	*			
017-2	153389-6	GEAR HOUSING COVER COMPLETE	<	1				
C10	214005-6	PLANE BEARING 8		1				
C20	951057-3	SPRING PIN 3-12		2				
C30	253310-6	THIN WASHER 10		1				
C40	421821-1	DUST SEAL 8		1				
018	316608-3	HOLDER		1				
019	313069-8	SLIDER		1	*			
019-1	310028-3	SLIDER	O	1				
020	265035-0	COUNTERSUNK HEAD SCREW M4X10		2				
021	344232-2	THRUST PLATE		1				
022	212010-7	NEEDLE BEARING 607		1				
023	152454-8	CRANK COMPLETE		1				
C10	256033-5	PIN 6		1				
024	253792-2	FLAT WASHER 26		1				

Item	Parts No.	Description	I/C	Qty	N/O	Opt. 1	Opt. 2	Note
025	344133-4	BALANCE PLATE		1	*			
025-1	344330-2	BALANCE PLATE	O	1				
026	344133-4	BALANCE PLATE		1	*			
026-1	344330-2	BALANCE PLATE	O	1				
027	344134-2	PUSH PLATE		1				
028	253792-2	FLAT WASHER 26		1				
029-1	212043-2	NEEDLE BEARING 810		1				
030	226428-6	HELICAL GEAR 51		1				
031-1	212043-2	NEEDLE BEARING 810		1				
032	253139-0	FLAT WASHER 8		1				
033	322691-0	GEAR SHAFT		1				
034	211021-9	BALL BEARING 607LLB		1				
035	681636-0	INSULATION WASHER		1				
036A_G	517096-9	ARMATURE ASS'Y 115V		1				
D10		INC. 34,35,37,38						
036D_A	517099-3	ARMATURE ASS'Y 240V		1				
D10		INC. 34,35,37,38						
037	241875-0	FAN 54		1				
038	211031-6	BALL BEARING 608LLB		1				
039	911111-5	PAN HEAD SCREW M4X10		3				
040	253715-0	FLAT WASHER 6		1				
043	253715-0	FLAT WASHER 6		1				
044	159715-7	GEAR HOUSING COMPLETE		1	*			
D10		INC. 63			*			
044-1	151594-9	GEAR HOUSING COMPLETE	X	1				
D10		INC. 63						
045A_	266120-2	TAPPING SCREW FLANGE PF4X20		2	*			
045A1	266045-0	TAPPING SCREW 4X20	O	2				
046	442119-3	PACKING		1	*			
046-1	442123-2	PACKING	X	1				
047	961004-6	RETAINING RING S-8		1				
048-1	922126-7	HEX. SOCKET HEAD BOLT M4X16		2				
049	231314-8	COMPRESSION SPRING 4		2				
050	961017-7	STOP RING E-3		1				
051	256693-3	PIN 4		1				
052A_	266115-5	TAPPING SCREW FLANGE PF 4X55		2	*			
052A1	266147-2	TAPPING SCREW 4X55	O	2				
053	151426-0	RETAINER COMPLETE		1	*			
C10	256667-4	PIN 4		1	*			
C20	322709-7	ROLLER		1	*			
C30	961017-7	STOP RING E-3		1	*			
053-1	152947-5	RETAINER COMPLETE	X	1				
C10	268074-9	PIN 4		1				
C20	152950-6	ROLLER COMPLETE		1				
C30	961017-7	STOP RING E-3		1				
054A_	266117-1	TAPPING SCREW FLANGE PF 4X35		1	*			
054A1	266053-1	TAPPING SCREW 4X35	O	1				
055	182680-5	HANDLE SET		1				

Item	Parts No.	Description	I/C	Qty	N/O	Opt. 1	Opt. 2	Note
D10		INC. 2						
056	165089-6	ROD		1				
057	265894-2	H.S.SET SCREW(CUP POINT) M6X8		1				
058	344137-6	SLIDE PLATE		1				
059	272231-3	LEVER 17		1				
060	231314-8	COMPRESSION SPRING 4		1				
061	216008-6	STEEL BALL 4		1				
062	961018-5	STOP RING E-5		1				
063	263002-9	RUBBER PIN 4		1				
064	316605-9	BASE		1	*			
064-1	316883-1	BASE	S	1				
065	331435-7	CLAMP PLATE		1				
066	922146-1	HEX. SOCKET HEAD BOLT M4X25		1				
067	344136-8	BASE PLATE		1	*			
067-1	344443-9	BASE PLATE	S	1				
068	415535-2	BAFFLE PLATE		1				
069A_G	633286-7	FIELD 115V		1				
069D_A	633289-1	FIELD 240V		1				
070	266055-7	HEX. SOCKET HEAD BOLT M5X8		4				
071	415528-9	MOTOR HOUSING		1	*			
071-1	415748-5	MOTOR HOUSING	S	1				
072A_	191962-4	CARBON BRUSH CB-419		1				
073	643923-5	BRUSH HOLDER		2				
074	857555-4	NAME PLATE 4304		1				
075	415532-8	REAR COVER		1				
076A_	266118-9	TAPPING SCREW FLANGE PF 4X30		2	*			
076A1	266050-7	TAPPING SCREW 4X30	O	2				
078	415538-6	CAP		1				
079A_	266114-7	TAPPING SCREW FLANGE PF 4X60		2	*			
079A1	266052-3	TAPPING SCREW 4X60	O	2				
080	421494-0	RUBBER RING 19		1				
081	322893-8	SAFETY WIRE		1				
082	344784-3	SEAL PLATE		1				
083	443106-5	FELT 10-20		1				
A01	783201-2	HEX. WRENCH 3		1				
A02	410048-8	WRENCH HOLDER 3.4		1				
A03	415524-7	ANTI-SPLINTERING DEVICE		1				
A04	415525-5	PLASTIC COVER		1	*			
A04-1	415887-1	PROTECTOR	S	1				
A05	792522-1	JIG SAW BLADE B-22		1	*			
A05-1	A-85737	JIGSAW BLADE NO.B22	<	1				
A06	792538-6	JIG SAW BLADE B-10		1	*			
A06-1	A-85628	JIGSAW BLADE NO.B10	<	1				
A07-1	A-02294	JIG SAW BLADE BR-13		1	*			
A07-2	A-85793	JIGSAW BLADE NO.BR13	<	1				
A08	415537-8	BASE PLATE		1	*			
A08-1	413068-1	BASE PLATE	S	1				
A09-1	824536-3	PLASTIC CARRYING CASE		1				