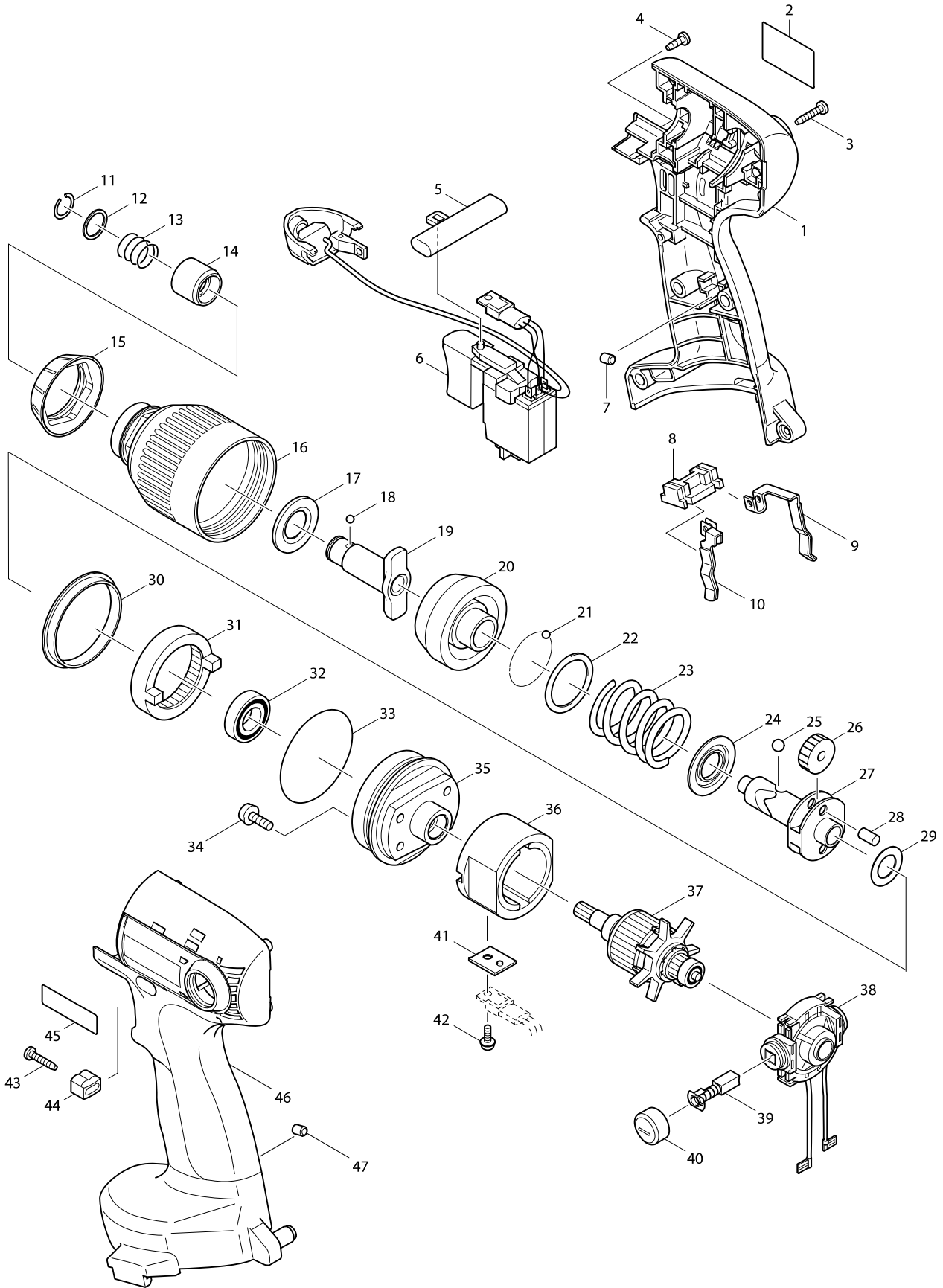


Model No. 6935FD CORDLESS IMPACT DRIVER



Model No. 6935FD CORDLESS IMPACT DRIVER

Item	Parts No.	Description	I/C	Qty	N/O	Sales	Purch.	Note
001	183773-1	HOUSING SET		1	*			
D10		INC. 45,46			*			
001-1	183773-1	HOUSING SET	<	1	*			
D10		INC. 45,46			*			
001-2	183776-5	HOUSING SET	<	1				
D10		INC. 46						
002	860205-2	NAME PLATE 6935FD		1				
003	266130-9	TAPPING SCREW BIND PT 3X16		8				
004	266007-8	TAPPING SCREW BIND PT 3X10		1				
005	416079-5	F/R CHANGE LEVER		1				
006	638326-6	SWITCH UNIT		1				
007	263024-9	RUBBER PIN 4		1				
008	687085-9	HOLDER		1				
009	654253-9	SPRING TERMINAL (+)		1				
010	654254-7	SPRING TERMINAL (-)		1				
011	231951-8	RING SPRING 11		1				
012	267085-1	FLAT WASHER 12		1				
013	233005-7	COMPRESSION SPRING 13		1				
014	324420-7	SLEEVE		1				
015	421847-3	BAMPER		1	*			
015-1	421847-3	BAMPER	O	1				
016	153808-2	HAMMER CASE COMPLETE		1	*			
016-1	153808-2	HAMMER CASE COMPLETE	<	1				
017	261108-7	NYLON WASHER 14		1				
018	216001-0	STEEL BALL 3.5		2	*			
018-1	216040-0	STEEL BALL 3.5	O	2				
019	324264-5	ANVIL N		1	*			
019-1	324510-6	ANVIL N	<	1				
020	324359-4	HAMMER		1				
021	216001-0	STEEL BALL 3.5		24	*			
021-1	216040-0	STEEL BALL 3.5	O	24				
022	267175-0	FLAT WASHER 24		1				
023	233381-9	COMPRESSION SPRING 25		1				
024	267766-7	CUP WASHER 14		1				
025	216011-7	STEEL BALL 5.6		2	*			
025-1	216041-8	STEEL BALL 5.6	O	2				
026	226336-1	SPUR GEAR 22		2	*			
026-1	227362-3	SPUR GEAR 22	<	2				
027	324220-5	SPINDLE		1				
028	256253-1	PIN 5		2				
029	267212-0	FLAT WASHER 12		1				
030	257254-2	RING 41		1				
031	227043-9	INTERNAL GEAR 51		1	*			
031-1	227112-6	INTERNAL GEAR 51	<	1				
032	211150-8	BALL BEARING 6901ZZ		1				
033	213620-3	O RING 46		1				
034	911516-9	PAN HEAD SCREW M4X12		4				
035	317597-5	INTERNAL GEAR CASE		1	*			

Model No. 6935FD CORDLESS IMPACT DRIVER

Item	Parts No.	Description	I/C	Qty	N/O	Sales	Purch.	Note
035-1	158079-6	INTERNAL GEAR CASE COMPLETE	S	1				
D10		INC. 32						
036	638155-7	YOKE UNIT		1	*			
036-1	638511-1	YOKE UNIT	O	1				
037	619134-4	ARMATURE		1				
038	638156-5	ENDBELL COMPLETE		1				
039	193466-2	CARBON BRUSH CB-434		1				
040	643933-2	BRUSH HOLDER CAP		2				
041	689096-0	FET SPACER		1				
042	266170-7	TAPPING SCREW ST3X8		1				
043	266130-9	TAPPING SCREW BIND PT 3X16		1				
044	313118-1	STOPPER		1				
045	819720-3	MAKITA LABEL		1	*			
046	183773-1	HOUSING SET		1	*			
D10		INC. 1,45			*			
046-1	183773-1	HOUSING SET	<	1	*			
D10		INC. 1,45			*			
046-2	183776-5	HOUSING SET	<	1				
D10		INC. 1						
047	263024-9	RUBBER PIN 4		1				
A01	414938-7	BATTERY COVER		2				
A02	192600-1	HIGH CAPACITY BATTERY 1422 SET		2				
A03	***DC1414	DC1414 BATTERY CHARGER		1				
A04	824635-1	PLASTIC CARRYING CASE		1				
C10	186347-7	SLIDE LATCH SET		1				
C20	819143-5	MAKITA LABEL		1				