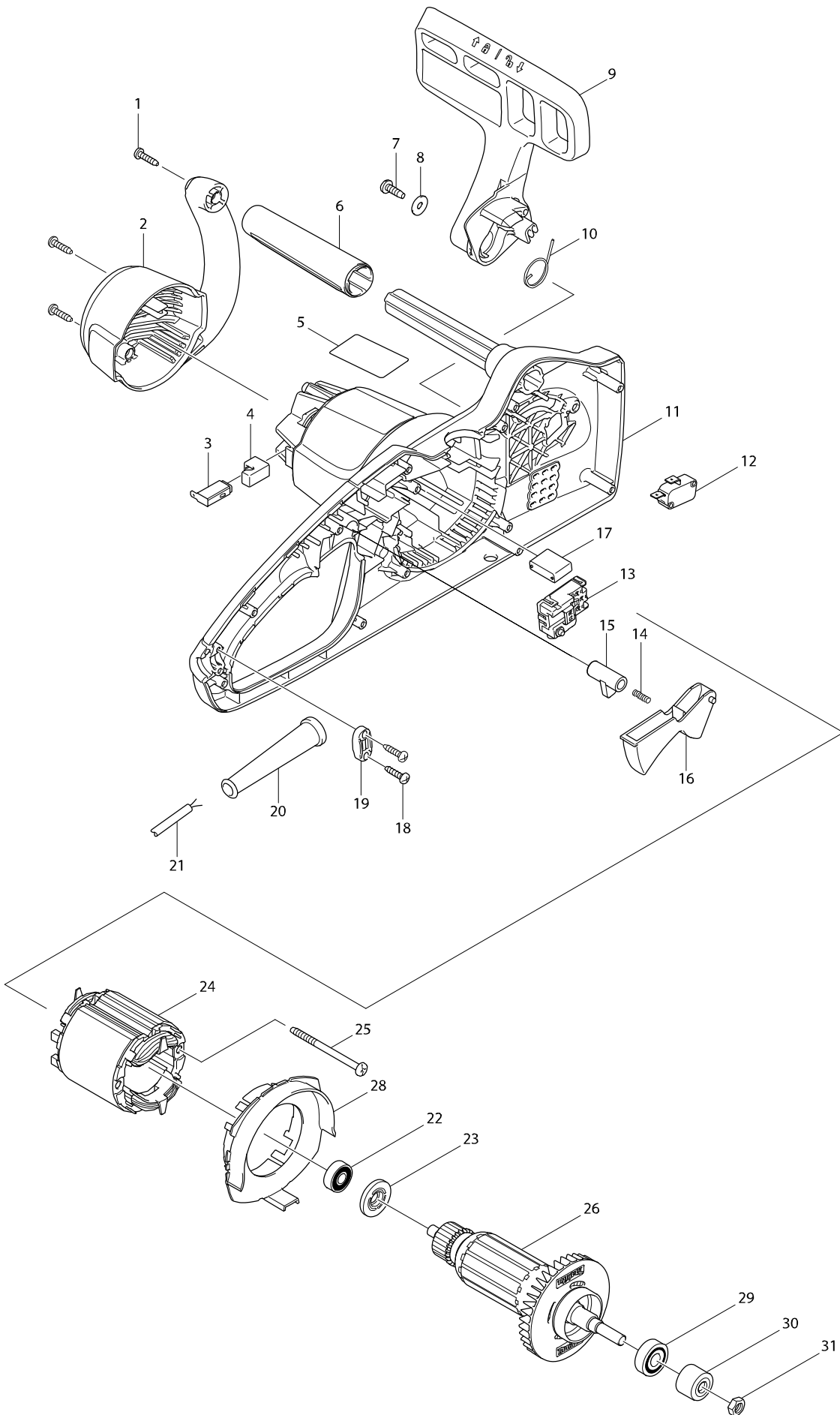
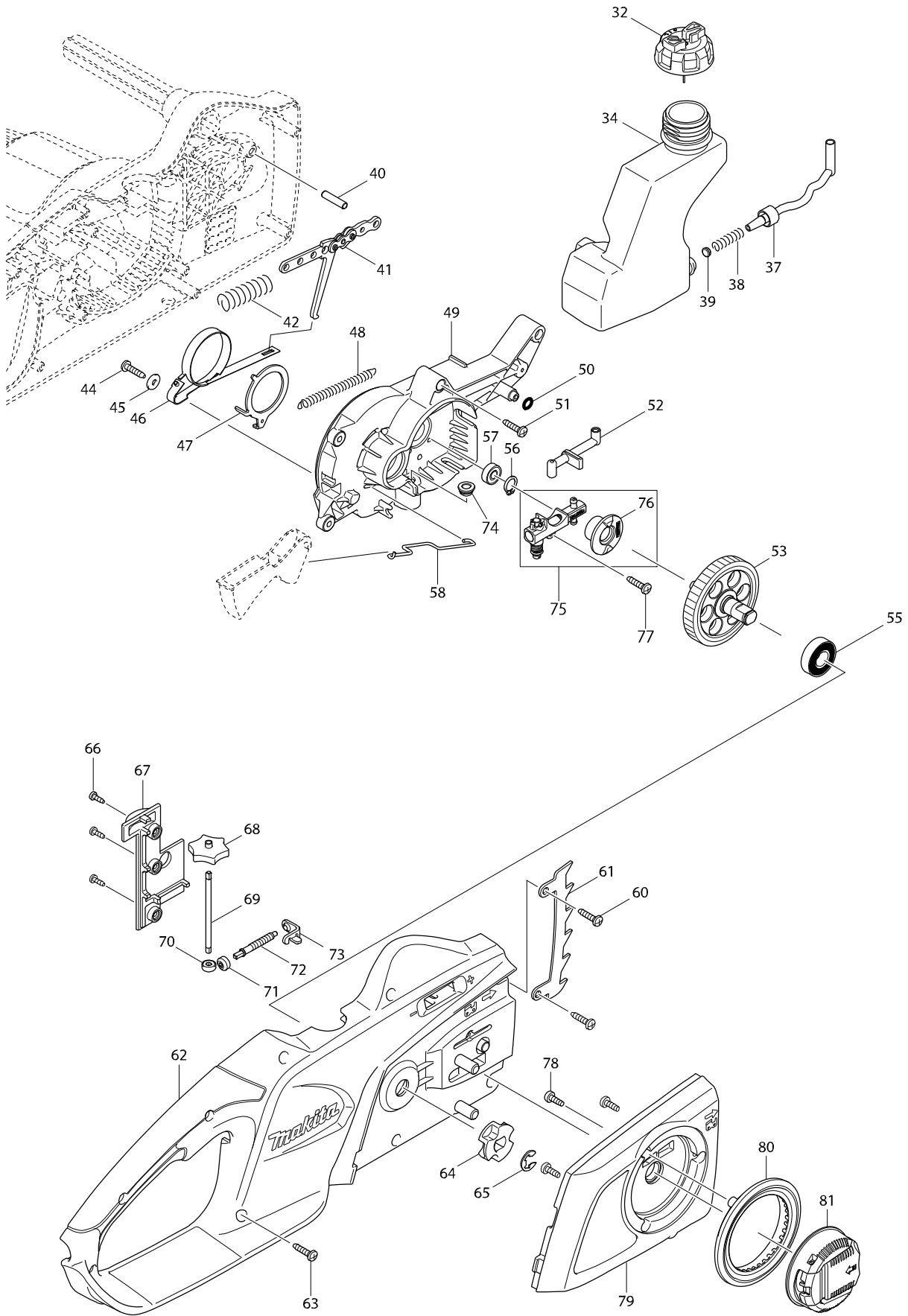


# Model No. UC3541A 350MM ELECTRIC CHAIN SAW



# Model No. UC3541A 350MM ELECTRIC CHAIN SAW



# Model No. UC3541A 350MM ELECTRIC CHAIN SAW

Item	Parts No.	Description	I/C	Qty	N/O	Opt. 1	Opt. 2	Note
001	266326-2	TAPPING SCREW 4X18		3				
002	454725-2	REAR COVER		1				
003	191972-1	CARBON BRUSH CB-132		1				
004	682211-5	RUBBER SLEEVE		2				
005	815A83-1	UC3541A NAME PLATE		1				
006	424600-6	FRONT GRIP		1				
007	266388-0	TAPPING SCREW 5X16		1				
008	253807-5	FLAT WASHER 5		1				
009	142279-8	FRONT HAND GUARD COMPLETE		1				
C10	802K54-7	INDICATION LABEL		1				
010	231640-5	TORSION SPRING 20		1				
011	187869-0	HOUSING SET		1				
C10	802G51-9	CAUTION LABEL		1				
D10		INC. 62						
012	650577-1	SWITCH SD-006-BB2AA-AA		1				
013	650716-3	SWITCH TGC31B		1				
014	233173-6	COMPRESSION SPRING 4		1				
015	416178-3	LOCK-OFF BUTTON		1				
016	455185-1	SWITCH LEVER		1				
018	266326-2	TAPPING SCREW 4X18		2				
019	687124-5	STRAIN RELIEF		1				
020	682540-6	CORD GUARD 9.3-90		1				
021	692552-1	POWER SUPPLY CORD 1.0-2-0.7		1				
022	210029-0	BALL BEARING 608ZZ		1				
023	681644-1	INSULATION WASHER		1				
024	594538-0	FIELD ASS'Y 220-240V		1	*			
C10	654069-2	RECEPTACLE		2	*			
C20	654208-4	RECEPTACLE		1	*			
024-1	593869-4	FIELD ASS'Y 220-240V	O	1				
C10	654069-2	RECEPTACLE		2				
C20	654208-4	RECEPTACLE		1				
025	266389-8	TAPPING SCREW 5X70		2				
026	513893-1	ARMATURE ASS'Y 220-240V		1				
D10		INC. 22,23,29						
028	419238-0	BAFFLE PLATE		1				
029	211061-7	BALL BEARING 6000LLB		1				
030	227153-2	SPUR GEAR 12		1				
031	931403-6	HEX. NUT M8		1				
032	142282-9	TANK CAP COMPLETE		1				
034	454729-4	OIL TANK		1				
037	424602-2	OIL TUBE		1				
038	231975-4	SPRING		1				
039	416274-7	CAP		1				
040	268238-5	PIN 5		1				
041	158047-9	LINK PLATE COMPLETE		1				
042	233175-2	COMPRESSION SPRING 9		1				
044	266326-2	TAPPING SCREW 4X18		1				
045	267195-4	FLAT WASHER 4		1				

