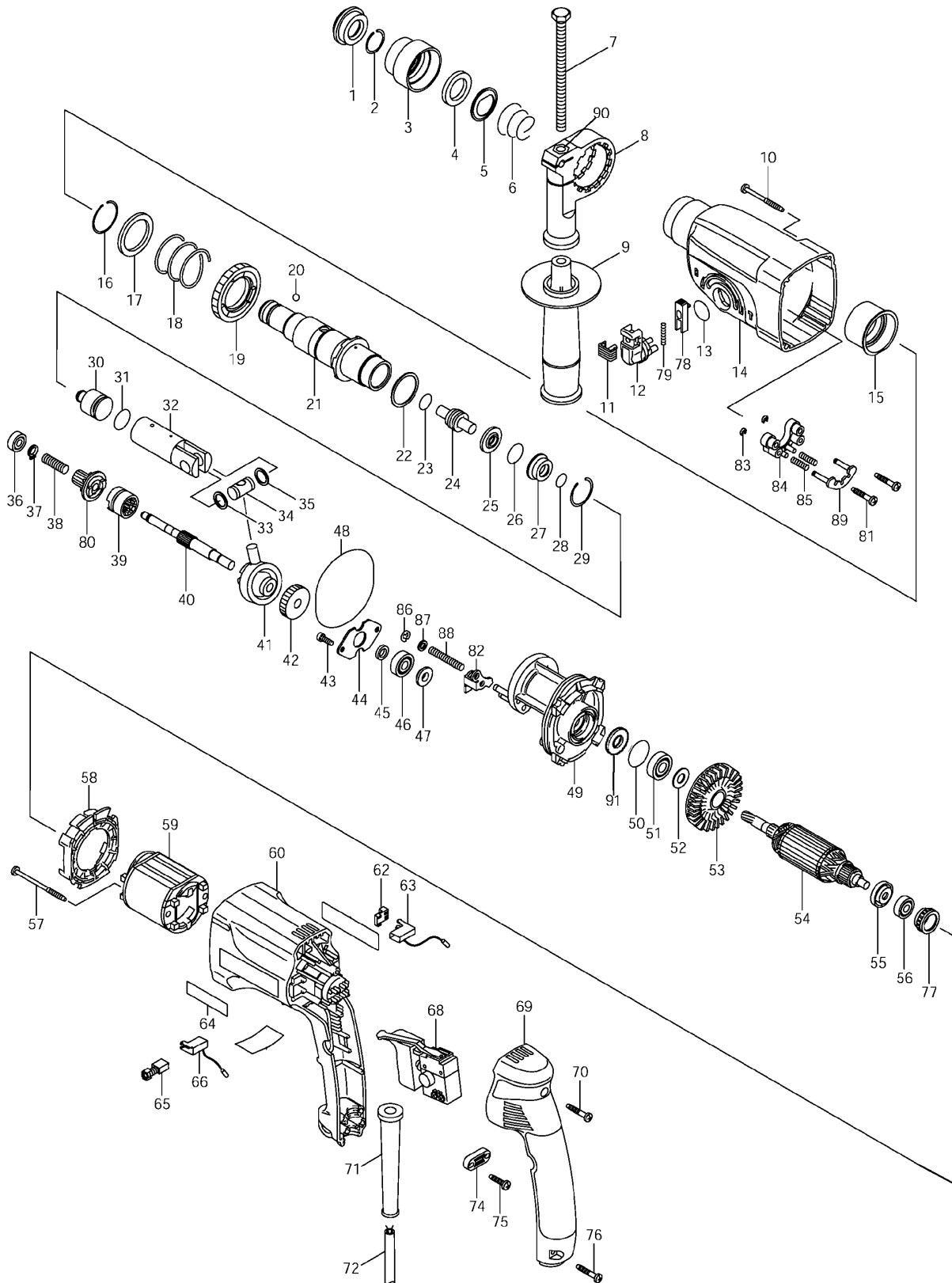
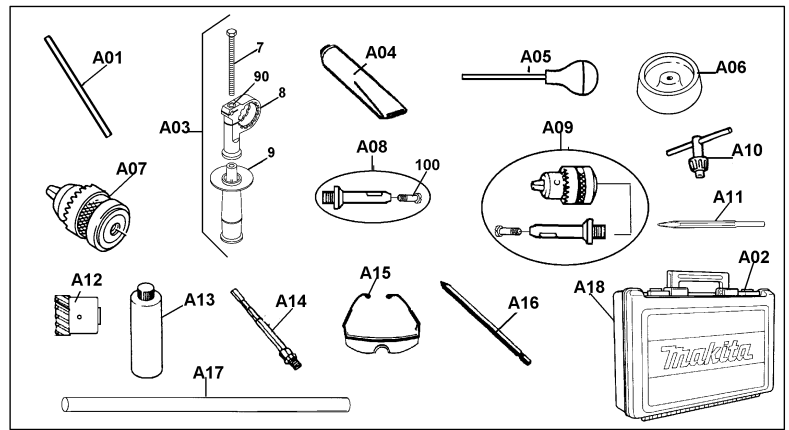
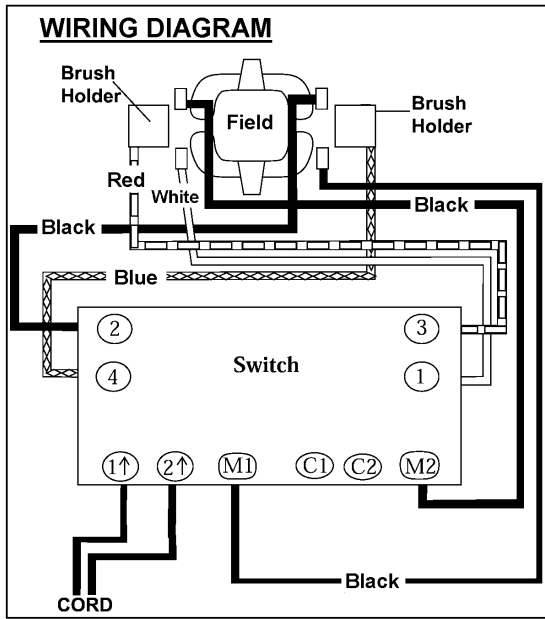




1" ROTARY HAMMER V.S. SDS-PLUS

Model HR2450 (MCC)





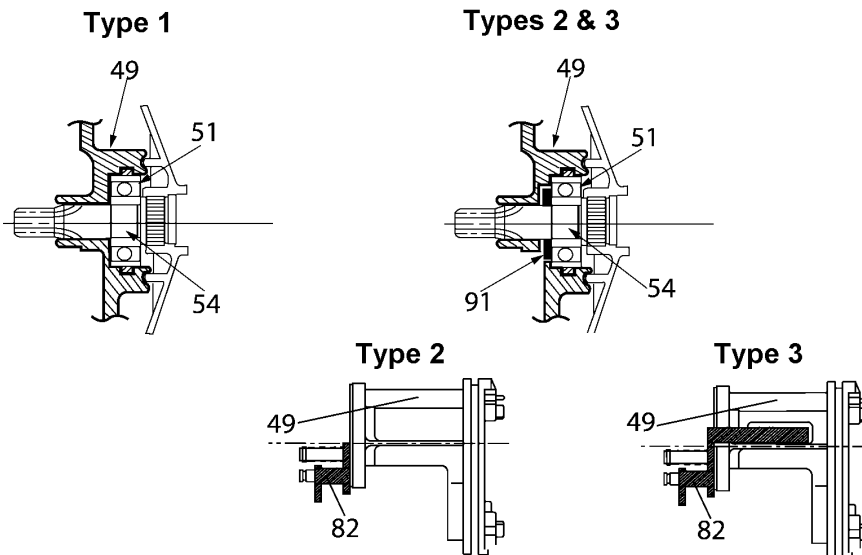
Item No.	Part No.	No. Used	Description	Item No.	Part No.	No. Used	Description
1	286263-4	1	Cap 35	35	267104-3	1	Flat Washer 12
2	233915-8	1	Ring Spring 19	36	211012-0	1	Ball Bearing 606ZZ
3	417629-9	1	Chuck Cover	37	961003-8	1	Retaining Ring S-7
4	257241-1	1	Ring 21	38	233343-7	1	Compression Spring 7
5	345187-4	1	Guide Washer	39	331634-1	1	Clutch Cam
6	233916-6	1	Conical Comp. Spring 21-29	40	324248-3	1	Cam Shaft
7	921923-8	1	Hex. Bolt M8X120	41	219014-0	1	Swash Bearing 10
8	417630-4	1	Grip Base	42	226550-9	1	Helical Gear 26
9	152521-9	1	Grip 36 Com.	43	266273-7	2	Hex Socket Head Bolt M4X12
10	266069-6	4	Tapping Screw 4X45	44	345179-3	1	Bearing Retainer
11	417794-4	1	Cap	45	267234-0	1	Flat Washer 8
12	162229-7	1	Change Lever Com.	46	211032-4	1	Ball Bearing 608ZZ
13	213278-8	1	O Ring 17	47	324212-4	1	Ring 8
14	183441-6	1	Gear Housing Set (Includes Item 15)	48	213725-9	1	O Ring 68
15	153290-5	1	Needle Bearing Com.	49	*	1	Inner Housing Com.
16	233918-2	1	Ring Spring 28	50	213380-7	1	O Ring 24
17	267228-5	1	Washer 30	51	210060-6	1	Ball Bearing 609LLU
18	233328-3	1	Compression Spring 31	52	267231-6	1	Flat Washer 9
19	227028-5	1	Spur Gear 51	53	240047-4	1	Fan 60
20	216022-2	1	Steel Ball 7.0	54	517376-3	1	Armature Assy (Includes Items 51-53, 55 & 56)
21	153365-0	1	Tool Holder Com.	55	681636-0	1	Insulation Washer
22	267229-3	1	Flat Washer 28	56	211021-9	1	Ball Bearing 607LLB
23	213128-7	1	O Ring 12	57	266052-3	2	Tapping Screw 4X60
24	324396-8	1	Impact Bolt (Old 324278-4)	58	417631-2	1	Baffle Plate
25	324218-2	1	Ring 9	59	633491-6	1	Field
26	213232-2	1	O Ring 15	60	183409-2	1	Motor Housing (Includes Item 64)
27	324216-6	1	O Ring Case	62	689111-0	2	Spacer
28	213073-6	1	O Ring 9	63	643988-7	1	Brush Holder
29	233917-4	1	Ring Spring 28	64	819063-3	1	Makita Label
30	324214-0	1	Striker	65	191927-6	2	Carbon Brush CB-407 (2pcs/Set)
31	213227-5	1	O Ring 16	66	643989-5	1	Brush Holder
32	331632-5	1	Piston Cylinder (Silver, Flat --> Silver, Gloss)	68	650508-0	1	Switch
33	267104-3	1	Flat Washer 12	69	153284-0	1	Handle Cover Com. (Includes 2X263002-9 -Rubber Pin 4)
34	324215-8	1	Piston Joint	70	265999-8	1	Tapping Screw 4X25

Item No.	Part No.	No. Used	Description	Item No.	Part No.	No. Used	Description
71	682559-5	1	Cord Guard 8	A03	134943-5	1	Grip 36 Assy (Includes Items 7-9 & 90)
72	664895-1	1	Cord With Plug 2P-18-4.0M	A04	181573-3	1	Bit Grease
74	687063-9	1	Strain Relief	A05	765009-6	1	Blow-Out Bulb
75	265995-6	2	Tapping Screw 4X18	A06	421342-3	1	Dust Cup 5 (6-14.5mm Bit Dia.)
76	265999-8	2	Tapping Screw 4X25		421664-1	1	Dust Cup 9 (12-16mm Bit Dia.)
77	421494-0	1	Rubber Ring 19	A07	763047-2	1	½" Drill Chuck
78	417795-2	1	Lock Button	A08	122573-4	1	Chuck Adaptor (Includes Item 100)
79	233341-1	1	Compression Spring 3	A09	122574-2	1	Drill Chuck Assy (Includes Items A07 & A08)
80	226399-7	1	Spur Gear 10	A10	763432-9	1	Chuck Key
81	265999-8	2	Tapping Screw 4X25	A11	-----	1	Bull Point, Cold Chisel, Grooving Chisel, Scaling Chisel (See Catalogue for Details)
82	*	1	Change Plate	A12	-----	1	Core Bit (See Catalogue for Details)
83	961017-7	2	Stop Ring E-3	A13	181490-7	1	Hammer Grease 30cc
84	417796-0	1	Guide Base	A14	A-86642	1	Core Bit Adaptor (SDS Plus)
85	233344-5	2	Compression Spring 4	A15	191686-A	1	Makita Safety Glasses
86	961011-9	1	Stop Ring E-4	A16	752031-2	1	Center Bit
87	941102-2	1	Flat Washer 5	A17	256806-6	1	Rod (For 25-40mm)
88	233342-9	1	Compression Spring 6		256815-5	1	Rod (For 45-118mm)
89	163430-7	1	Lock Plate Com.	A18	824650-5	1	Plastic Carrying Case (Includes Item A02)
90	345280-4	1	Hex. Washer				
91	267271-4	1	Flat Washer 9 (Add) *				
100	251425-3	1	(-) Flat Head Screw M6X22				
Accessories							
A01	324219-0	1	Depth Gauge				
A02	417724-5	2	Latch				

SERVICE CHANGES

* SEE SERVICE CHANGES

1. Modification of Inner Housing Com and Change Plate.



Item No.	Description	Type 1	Type 2	Type 3
49	Inner Housing Com	153367-6	153610-3	153687-8
82	Change Plate	345220-2		345363-0
91	Flat Washer 9	-----	267271-4	
	Implementation		~ Oct 2003	Nov 2003 ~

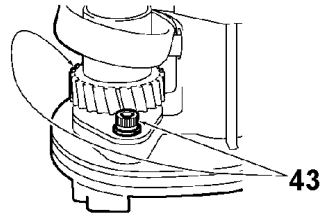
Above parts are completely interchangeable as a set.

SERVICE NOTE

Follow these steps when replacing the Inner Housing Com and the Change Plate.

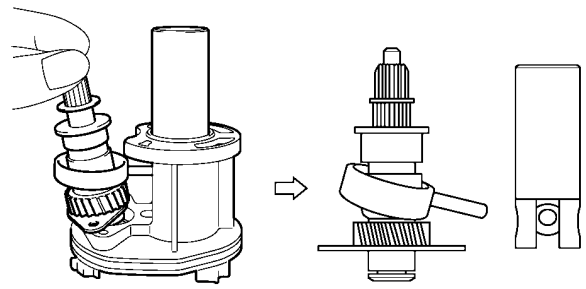
1. Remove Gear Housing Cover.
2. Remove Tool Holder section.
3. Remove two M4x12 Hex. Socket Head Bolts. (Fig. 1)

Fig. 1



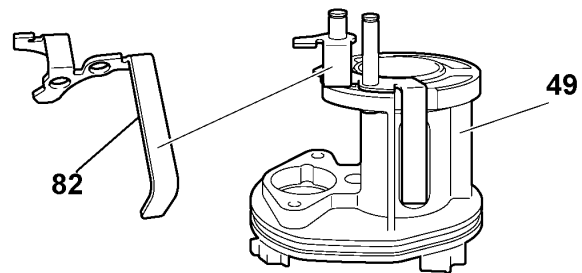
4. Remove Shaft portion and Piston Cylinder. (Fig. 2)

Fig. 2



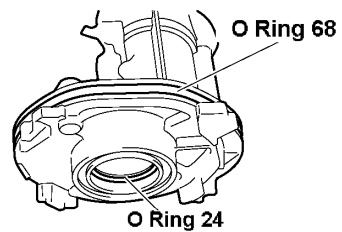
5. Remove Change Plate. (Fig. 3)

Fig. 3



6. Remove O-Ring 24 and O-Ring 68. (Fig. 4)

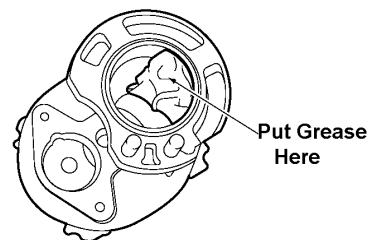
Fig. 4



All steps for removal of re-use parts have now been completed.

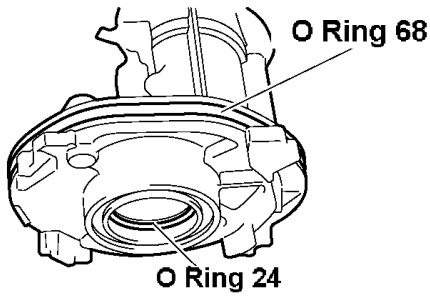
Fig. 6

7. Replace the current Inner Housing complete by the new one.
8. Apply 5g of Makita Grease RA No.1 as (Fig. 6)



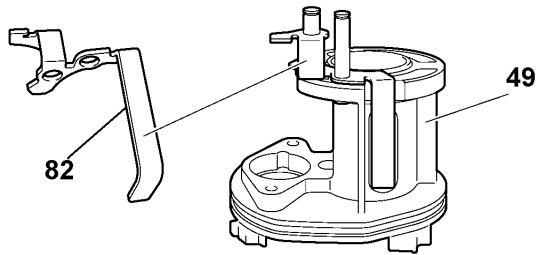
9. Install O-Ring 24 and O-Ring 68 as (Fig. 4)

Fig. 4



10. Set the new Change plate to the new Inner housing complete (Fig. 10).

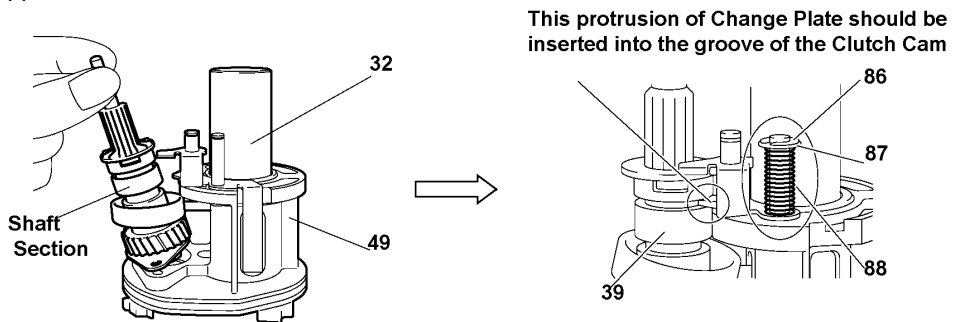
Fig. 10



11. Fix The Current Shaft Section And Plston Cylinder with Inner Housing, and then secure them by screwing the new M4x12 Hex. Socket Head Bolts (2pcs). Next, Set the following parts on Pin 6 shown in Fig 11.

- Stop Ring E-4
- Compression Spring 6
- Flat Washer 5

Fig. 11



Supplementary information: Check whether Flat Washer 9 can be seen on the Armature Shaft as Fig. 12 by removing the Armature from the machine. If not, put Flat Washer 9 (Part No. 267271-4) as shown in (Fig 12)

