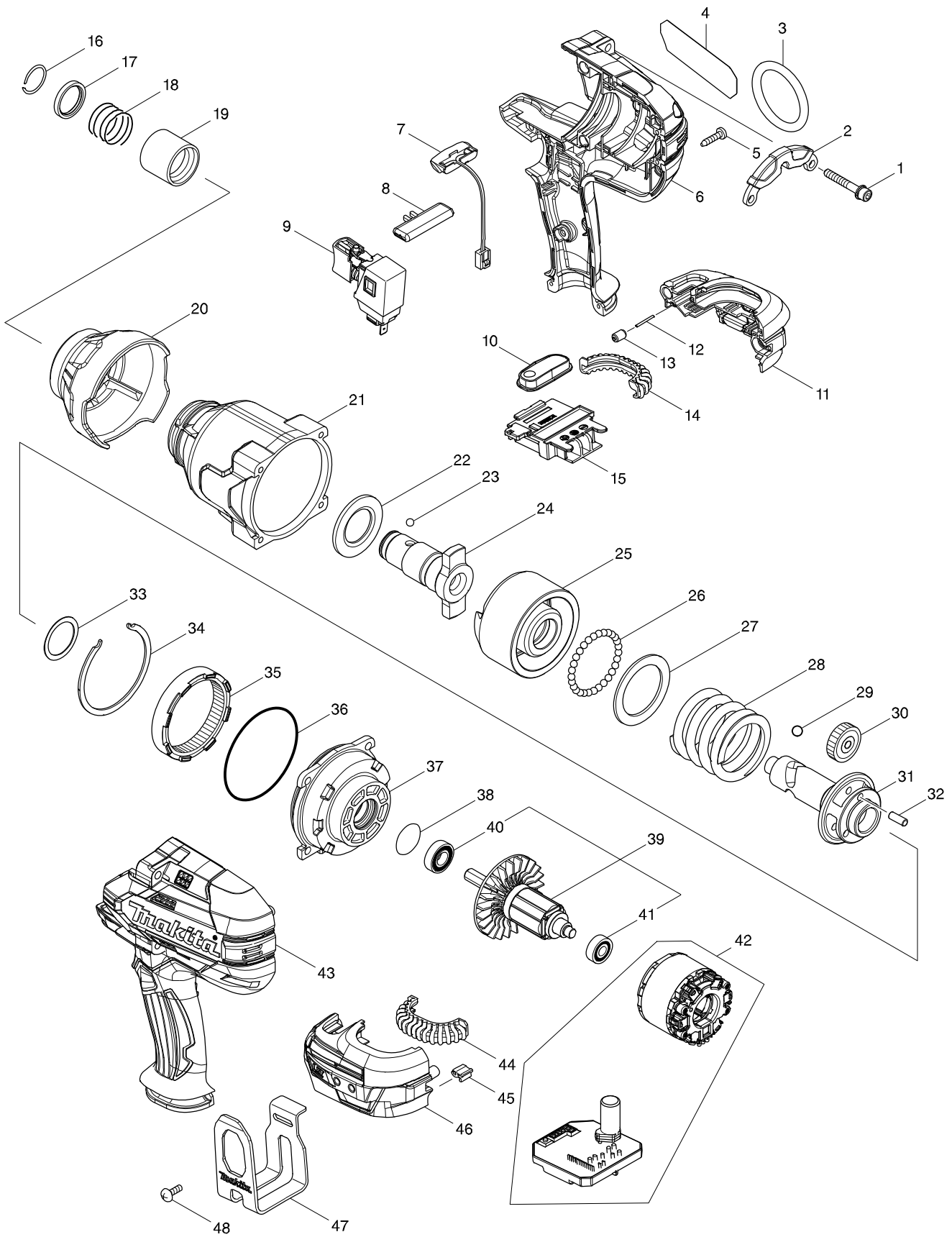


# Model No. DTW800 CORDLESS IMPACT WRENCH



# Model No. DTW800 CORDLESS IMPACT WRENCH

| Item  | Parts No. | Description              | I/C | Qty | N/O | Opt. 1 | Opt. 2 | Note |
|-------|-----------|--------------------------|-----|-----|-----|--------|--------|------|
| 001   | 251476-6  | H.S.H.BOLT M5X35 WITH WR |     | 4   |     |        |        |      |
| 002   | 162341-3  | BRACKET                  |     | 1   |     |        |        |      |
| 003   | 282022-4  | RING 40                  |     | 1   |     |        |        |      |
| 004   | 851K83-7  | DTW800 NAME PLATE        |     | 1   |     |        |        |      |
| 005   | 266326-2  | TAPPING SCREW 4X18       |     | 9   |     |        |        |      |
| 006   | 183C08-8  | HOUSING SET              |     | 1   |     |        |        |      |
| D10   |           | INC. 43                  |     |     |     |        |        |      |
| 007   | 620351-1  | LED CIRCUIT              |     | 1   |     |        |        |      |
| 008   | 456268-0  | F/R CHANGE LEVER         |     | 1   |     |        |        |      |
| 009   | 143416-7  | SWITCH COMPLETE          |     | 1   |     |        |        |      |
| 010   | 143417-5  | SWITCH PLATE COMPLETE    |     | 1   |     |        |        |      |
| 011   | 183C12-7  | BATTERY HOUSING SET      |     | 1   |     |        |        |      |
| C10   | 263005-3  | RUBBER PIN 6             |     | 2   |     |        |        |      |
| D10   |           | INC. 46                  |     |     |     |        |        |      |
| 012   | 268284-8  | PIN 1.5                  |     | 1   |     |        |        |      |
| 013   | 263036-2  | RUBBER PIN 5             |     | 1   |     |        |        |      |
| 014   | 424773-5  | CUSHION RUBBER           |     | 1   |     |        |        |      |
| 015   | 643899-6  | TERMINAL                 |     | 1   |     |        |        |      |
| 016   | 234384-6  | RING SPRING 19           |     | 1   |     |        |        |      |
| 017   | 326619-0  | RING 21                  |     | 1   |     |        |        |      |
| 018   | 231434-8  | COMPRESSION SPRING 22    |     | 1   |     |        |        |      |
| 019   | 326618-2  | SLEEVE                   |     | 1   |     |        |        |      |
| 020   | 424775-1  | BUMPER                   |     | 1   | *   |        |        |      |
| 020-1 | 424978-7  | BUMPER                   | <   | 1   |     |        |        |      |
| 021   | 143411-7  | HAMMER CASE COMPLETE     |     | 1   | *   |        |        |      |
| 021-1 | 144473-8  | HAMMER CASE COMPLETE     | S   | 1   |     |        |        |      |
| 022   | 346948-5  | WASHER 25                |     | 1   |     |        |        |      |
| 023   | 216007-8  | STEEL BALL 6.4           |     | 2   |     |        |        |      |
| 024   | 326617-4  | ANVIL H                  |     | 1   |     |        |        |      |
| 025   | 326613-2  | HAMMER                   |     | 1   |     |        |        |      |
| 026   | 216002-8  | STEEL BALL 4.8           |     | 29  |     |        |        |      |
| 027   | 267493-6  | FLAT WASHER 38           |     | 1   |     |        |        |      |
| 028   | 234383-8  | COMPRESSION SPRING 38    |     | 1   |     |        |        |      |
| 029   | 216009-4  | STEEL BALL 7.1           |     | 2   |     |        |        |      |
| 030   | 227391-6  | SPUR GEAR 24             |     | 3   |     |        |        |      |
| 031   | 326611-6  | SPINDLE                  |     | 1   |     |        |        |      |
| 032   | 268079-9  | PIN 5                    |     | 3   |     |        |        |      |
| 033   | 267494-4  | FLAT WASHER 25           |     | 1   |     |        |        |      |
| 034   | 346947-7  | RETAINER                 |     | 1   |     |        |        |      |
| 035   | 227392-4  | INTERNAL SPUR GEAR 54    |     | 1   |     |        |        |      |
| 036   | 213720-9  | O RING 67                |     | 1   |     |        |        |      |
| 037   | 135718-5  | INTERNAL GEAR CASE ASS'Y |     | 1   |     |        |        |      |
| D10   |           | INC. 36,38               |     |     |     |        |        |      |
| 038   | 213961-7  | O RING 22                |     | 1   |     |        |        |      |
| 039   | 519384-0  | ROTOR ASS'Y              |     | 1   |     |        |        |      |
| D10   |           | INC. 40,41               |     |     |     |        |        |      |
| 040   | 210069-8  | BALL BEARING 6900DDW     |     | 1   |     |        |        |      |
| 041   | 211022-7  | BALL BEARING 607ZZ       |     | 1   |     |        |        |      |

