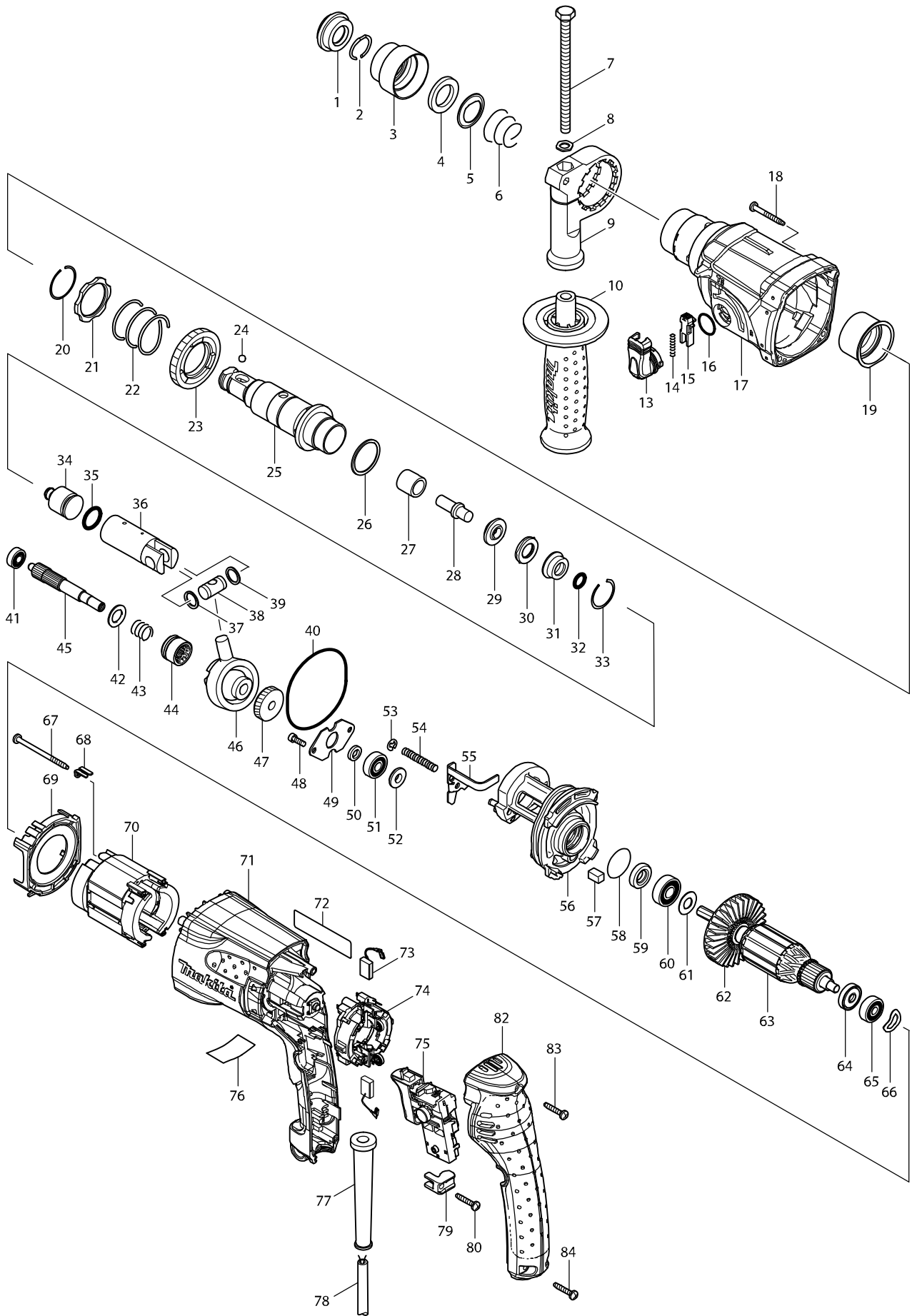


Model No. HR2460 ROTARY HAMMER 24MM



Model No. HR2460 ROTARY HAMMER 24MM

Item	Parts No.	Description	I/C	Qty	N/O	Opt. 1	Opt. 2	Note
001	286263-4	CAP 35		1				
002	233940-9	RING SPRING 19		1				
003	417629-9	CHUCK COVER		1				
004	257241-1	RING 21		1				
005	345187-4	GUIDE WASHER		1				
006	233916-6	CONICAL COMP. SPRING 21-29		1				
007	921923-8	HEX. BOLT M8X120		1				
008	345280-4	HEX. WASHER		1				
009	417630-4	GRIP BASE		1				
010	158057-6	GRIP 36 COMPLETE		1				
C10	931402-8	HEX. NUT M8		1				
013	162244-1	CHANGE LEVER		1				
014	233459-8	COMPRESSION SPRING 3		1				
015	419192-8	LOCK BUTTON		1				
016	213278-8	O RING 17		1				
017	158305-3	GEAR HOUSING COMPLETE		1				
C10	213965-9	OIL SEAL 25		1	*			
C11	213345-9	OIL SEAL 25	O	1				
018	266351-3	TAPPING SCREW 4X35		4				
019	153290-5	NEEDLE BEARING COMPLETE		1				
020	233918-2	RING SPRING 28		1				
021	267805-3	WASHER 30		1				
022	233328-3	COMPRESSION SPRING 31		1				
023	227019-6	SPUR GEAR 51		1				
024	216022-2	STEEL BALL 7.0		1				
025	158306-1	TOOL HOLDER COMPLETE		1	*			
025-1	158575-4	TOOL HOLDER COMPLETE	<	1				
026	267229-3	FLAT WASHER 28		1				
027	331769-8	SLEEVE 9		1				
028	324669-9	IMPACT BOLT		1				
029	324402-9	RING 10		1				
030	421955-0	CUSHION RING 13		1				
031	324216-6	O RING CASE		1				
032	213073-6	O RING 9		1				
033	233917-4	RING SPRING 28		1				
034	324733-6	STRIKER		1				
035	213227-5	O RING 16		1				
036	317517-9	PISTON CYLINDER		1				
037	267104-3	FLAT WASHER 12		1				
038	324215-8	PISTON JOINT		1				
039	267104-3	FLAT WASHER 12		1				
040	213727-5	O-RING 63		1				
041	211012-0	BALL BEARING 606ZZ		1	*			
041-1	210028-2	BALL BEARING 606ZZ	O	1				
042	267212-0	FLAT WASHER 12		1				
043	233347-9	COMPRESSION SPRING 12		1				
044	331734-7	CLUTCH CAM		1				
045	227182-5	SPUR GEAR 10		1				

Item	Parts No.	Description	I/C	Qty	N/O	Opt. 1	Opt. 2	Note
046	219014-0	SWASH BEARING 10		1				
047	226656-3	HELICAL GEAR 26		1				
048	266273-7	HEX. SOCKET HEAD BOLT M4X12		2				
049	345179-3	BEARING RETAINER		1				
050	267234-0	FLAT WASHER 8		1				
051	211032-4	BALL BEARING 608ZZ		1	*			
051-1	210029-0	BALL BEARING 608ZZ	O	1				
052	324212-4	RING 8		1				
053	961011-9	STOP RING E-4		1				
054	233388-5	COMPRESSION SPRING 5		1				
055	345770-7	CHANGE PLATE		1	*			
055-1	346035-0	CHANGE PLATE	<	1				
056	158308-7	INNER HOUSING COMPLETE		1	*			
056-1	141575-1	INNER HOUSING COMPLETE	S	1				
057	443126-9	FELT		1	*			
058	213407-3	O RING 26		1				
059	213077-8	OIL SEAL 10		1				
060	210059-1	BALL BEARING 6000DDW		1				
061	267213-8	FLAT WASHER 10		1				
062	240092-9	FAN 64		1				
063	515289-2	ARMATURE ASS'Y 240V		1				
D10		INC. 60-62,64,65						
064	681652-2	INSULATION WASHER		1	*			
064-1	681670-0	INSULATION WASHER	<	1				
065	210023-2	BALL BEARING 627DDW		1				
066	267804-5	WAVE WASHER 15		1				
067	266334-3	TAPPING SCREW 4X60		2				
068	344871-8	RETAINER		2				
069	419716-0	BUFFLE PLATE		1				
070	626579-9	FIELD 240V		1				
071	419731-4	MOTOR HOUSING		1				
072	863521-1	HR2460 NAME PLATE		1				
073	194074-2	CARBON BRUSH CB-325		1				
074	638500-6	BRUSH HOLDER UNIT		1				
075	650589-4	SWITCH C3VA-2L		1				
076	814958-5	HR2460 SERIAL NO.LABEL		1				
077	682566-8	CORD GUARD 10		1				
078	692527-0	POWER SUPPLY CORD 1.0-2-2.5		1				
079	687260-7	STRAIN RELIEF		1				
080	266324-6	TAPPING SCREW 4X22		1				
082	419717-8	HANDLE COVER		1				
083	266324-6	TAPPING SCREW 4X22		1				
084	266324-6	TAPPING SCREW 4X22		2				
A01	324219-0	DEPTH GAUGE		1				
A02	824799-1	PLASTIC CARRYING CASE		1				
C10	324319-6	SHAFT		1				
C20	417724-5	LATCH		2				
C30	419216-0	HANDLE		1				

