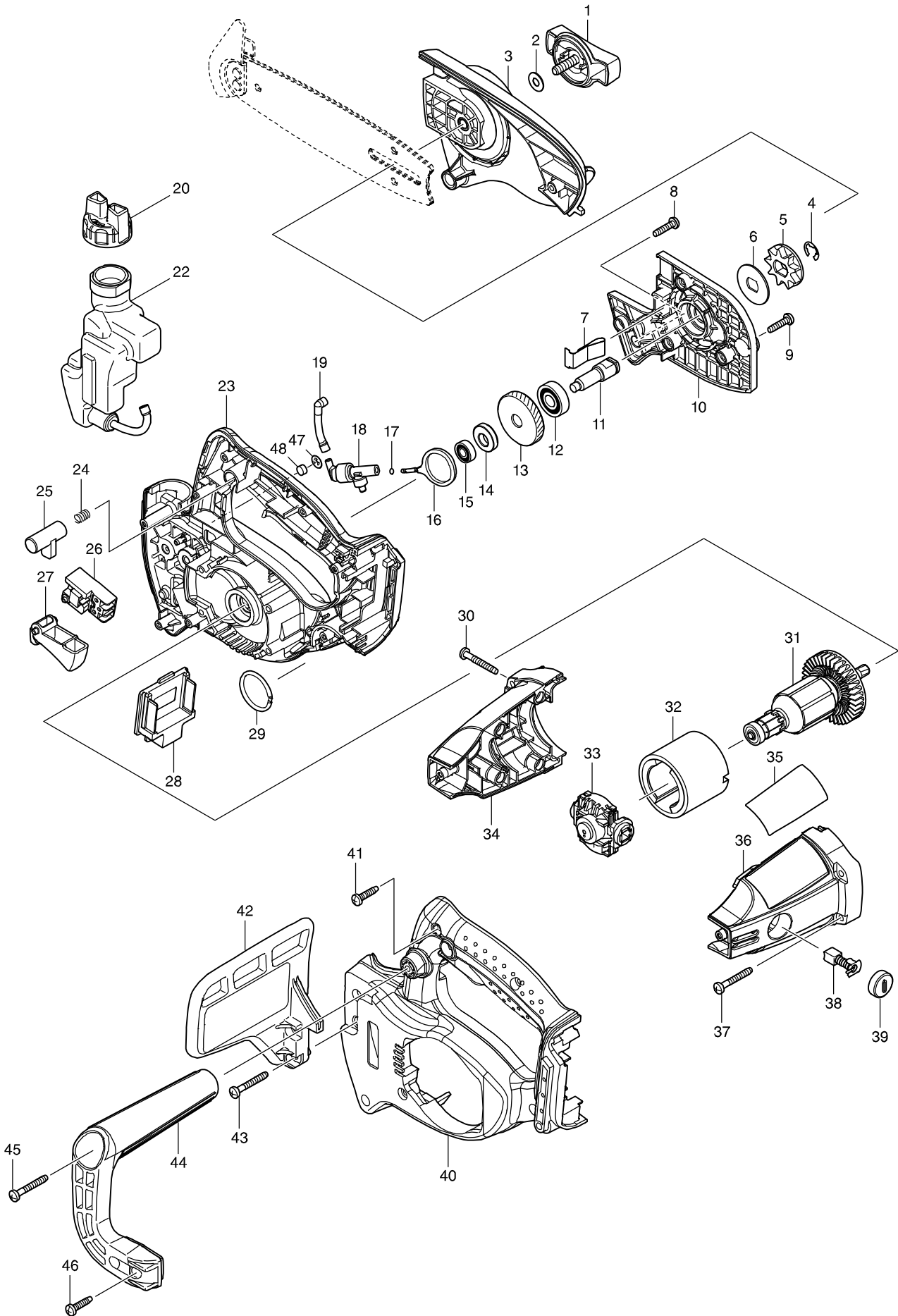


# Model No. DUC122 CORDLESS CHAIN SAW 115MM



# Model No. DUC122 CORDLESS CHAIN SAW 115MM

Item	Parts No.	Description	I/C	Qty	N/O	Opt. 1	Opt. 2	Note
001	158472-4	KNOB 60 COMPLETE		1				
C10	816905-2	INDICATION LABEL		1				
002	267004-7	FLAT WASHER 6		1				
003	158471-6	SPROCKET COVER COMPLETE		1				
004	961014-3	STOP RING E-8		1				
005	221527-9	SPROCKET 9		1				
006	267732-4	LOCK WASHER 12		1				
007	232238-1	LEAF SPRING		1				
008	265995-6	TAPPING SCREW 4X18		1				
009	265995-6	TAPPING SCREW 4X18		3				
010	450213-7	BEARING HOUSING		1				
011	323806-2	SPINDLE		1				
012	211051-0	BALL BEARING 609LLB		1				
013	226673-3	HELICAL GEAR 50		1				
014	450436-7	CAM		1				
015	210033-9	BALL BEARING 696ZZ		1				
016	450435-9	CRANK		1				
017	213993-4	O-RING 1.5		1				
018	158571-2	OIL PUMP COMPLETE		1				
019	421615-4	CONNECTOR		1				
020	158810-0	TANK CAP COMPLETE		1				
022	158634-4	OIL TANK COMPLETE		1				
023	187237-7	HANDLE SET		1				
D10		INC. 40						
024	231470-4	COMPRESSION SPRING 6		1				
025	416178-3	LOCK-OFF BUTTON		1				
026	651956-6	SWITCH TG72BD		1				
027	450212-9	SWITCH LEVER		1				
028	644808-8	TERMINAL		1				
029	257363-7	RING 30		1				
030	265995-6	TAPPING SCREW 4X18		4				
031	619225-1	ARMATURE		1				
032	638138-7	YOKE UNIT		1				
033	638608-6	ENDBELL COMPLETE		1				
034	188468-1	MOTOR HOUSING SET		1				
D10		INC. 36						
035	815W45-1	DUC122 NAME PLATE		1				
036	188468-1	MOTOR HOUSING SET		1				
D10		INC. 34						
037	266050-7	TAPPING SCREW 4X30		4				
038	191971-3	CARBON BRUSH CB-430		1				
039	643954-4	BRUSH HOLDER CAP		2				
040	187237-7	HANDLE SET		1				
D10		INC. 23						
041	265995-6	TAPPING SCREW 4X18		6				
042	158620-5	FRONT HAND GUARD COMPLETE		1				
C10	810377-3	CAUTION LABEL		1				
043	266050-7	TAPPING SCREW 4X30		2				

**Model No. DUC122 CORDLESS CHAIN SAW 115MM**

Item	Parts No.	Description	I/C	Qty	N/O	Opt. 1	Opt. 2	Note
044	450217-9	FRONT HANDLE		1				
045	266050-7	TAPPING SCREW 4X30		1				
046	265995-6	TAPPING SCREW 4X18		2				
047	259041-5	PUSH NUT 8		1				
048	443125-1	FILTER		1				
A01	158476-6	GUIDE BAR COMPLETE		1				
C10	168450-6	GUIDE BAR		1				
A02	416311-7	GUIDE BAR CASE		1				
A03	182229-1	OIL SUPPLY 100CC		1				
A04	744003-1	FILE 4		1				
A05C	194204-5	BATTERY BL1830 SET		2	*			
A05-1C	194204-5	BATTERY BL1830 SET	O	2	*			
A05-1E	196399-0	BATTERY BL1840 SET		2	*			
A05-2C	197600-6	BATTERY BL1830B SET	<	2				
A05-2E	197265-4	BATTERY BL1840B SET	<	2				
A05-2F	197280-8	BATTERY BL1850B SET		2				
A06C	450128-8	BATTERY COVER		1				
A06E	450128-8	BATTERY COVER		1				
A06F	450128-8	BATTERY COVER		1				
A07C	***DC18RC	DC18RC FAST CHARGER		1				
A07E	***DC18RC	DC18RC FAST CHARGER		1				
A07F	***DC18RC	DC18RC FAST CHARGER		1				
A08C	141494-1	PLASTIC CARRYING CASE		1				
C10	163455-1	LATCH		2				
C20	419360-3	HANDLE		1				
A08E	141494-1	PLASTIC CARRYING CASE		1				
C10	163455-1	LATCH		2				
C20	419360-3	HANDLE		1				
A08F	141494-1	PLASTIC CARRYING CASE		1				
C10	163455-1	LATCH		2				
C20	419360-3	HANDLE		1				
A09C	804K16-1	DUC122RFE PLASTIC CASE LABEL		1				
A09E	804K20-0	DUC122RME PLASTIC CASE LABEL		1				
A09F	804K20-0	DUC122RME PLASTIC CASE LABEL		1				
A10	791284-8	CHAIN BLADE		1				
E01	620265-4	CONTROLLER		1				