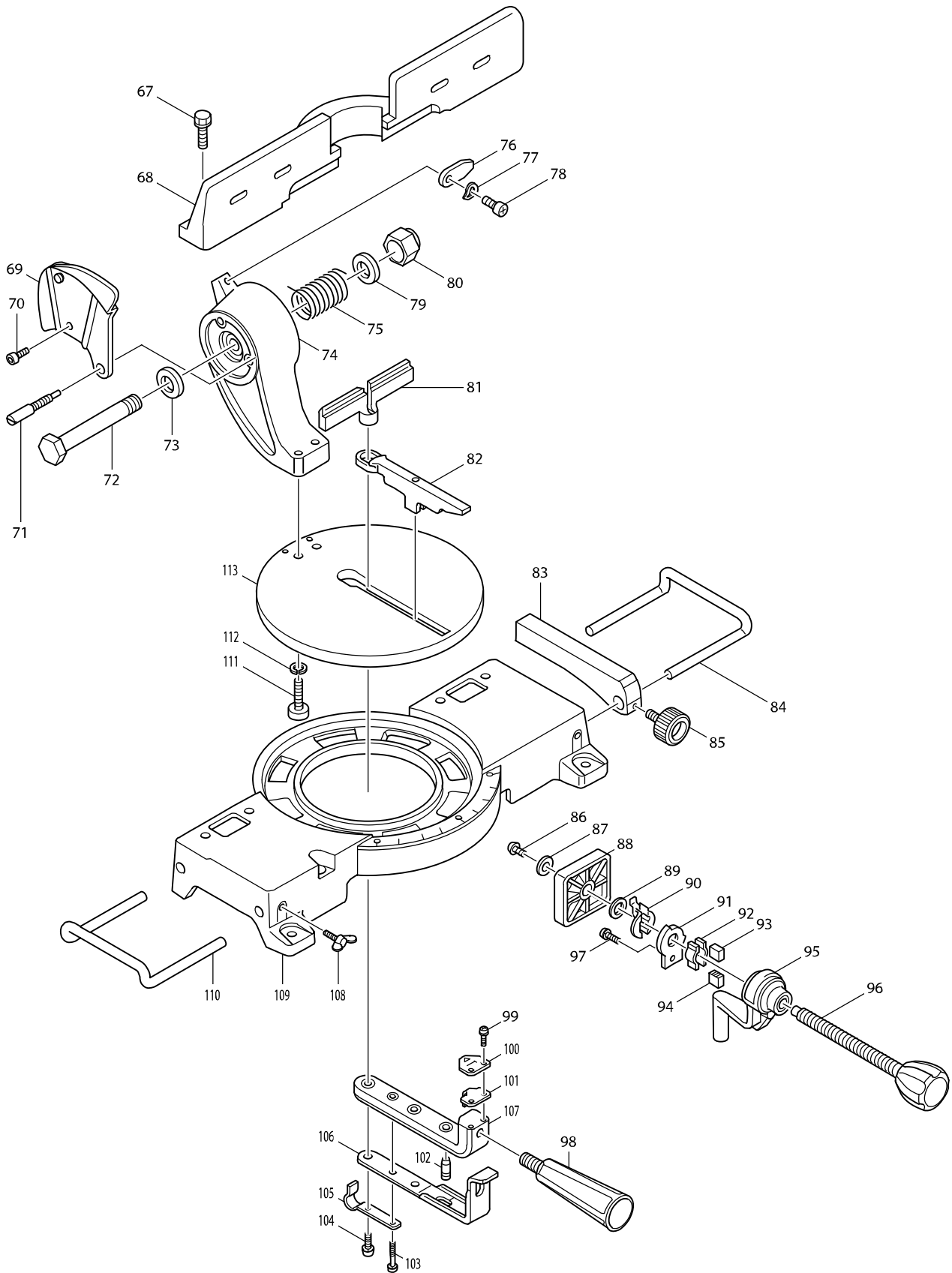


Model No. LS1440 MITER SAW 355MM



Item	Parts No.	Description	I/C	Qty	N/O	Opt. 1	Opt. 2	Note
001	163100-8	SHAFT LOCK		1				
002	411466-3	BAFFLE PLATE		1				
003	213459-4	O RING 32		1				
004-1	211201-7	BALL BEARING 6002LLB		1				
005-1	241514-2	FAN 92		1				
006D1	514989-1	ARMATURE ASS'Y 240V		1	*			
D10		INC. 5,7,8			*			
006D2	516729-3	ARMATURE ASS'Y 240V	X	1				
D10		INC. 5,7,8						
007	681623-9	INSULATION WASHER		1				
008	211068-3	BALL BEARING 6200LB		1				
009-1	911290-9	PAN HEAD SCREW M5X65		2				
010	263013-4	RUBBER PIN 4		1				
011D_	524779-4	FIELD ASS'Y 240V		1	*			
C10	654020-2	RING TERMINAL		2	*			
C20	654502-4	CONNECTOR P-2		2	*			
011D1	526009-9	FIELD ASS'Y 240V	X	1				
C10	654020-2	RING TERMINAL		2				
C20	654502-4	CONNECTOR P-2		2				
013	157734-7	MOTOR HOUSING		1	*			
C10	643653-8	BRUSH HOLDER 6.5-13.5		2	*			
C11	643660-1	BRUSH HOLDER 6.5-13.5	O	2	*			
C30	817880-5	CAUTION LABEL		1	*			
D10		INC. 10			*			
013-1	152937-8	MOTOR HOUSING COMPLETE	X	1				
C10	643660-1	BRUSH HOLDER 6.5-13.5		2				
C20	817880-5	CAUTION LABEL		1				
D10		INC. 10						
014	953106-2	RIVET 0-5		4				
015	856017-9	NAME PLATE LS1440		1				
016	251335-4	+ PAN HEAD SCREW M5X80		4				
017	911158-9	PAN HEAD SCREW M4X30		4				
018B_	181044-0	CARBON BRUSH CB-153		1				
019	643650-4	BRUSH HOLDER CAP 6.5-13.5		2	*			
019-1	643650-4	BRUSH HOLDER CAP 6.5-13.5	O	2				
020	651135-6	SWITCH SGE220RD-1		1	*			
020-1	651153-4	SWITCH SGE220RD-1	X	1				
021	911101-8	PAN HEAD SCREW M4X6		1				
022	410836-3	HANDLE COVER		1				
024X_	692076-7	POWER SUPPLY CORD 1.0-2-2.5		1				
025A_	682503-2	CORD GUARD 8-90		1				
026	411468-9	CLAMP BASE		1				
027A_	687001-1	STRAIN RELIEF		1				
028	911133-5	PAN HEAD SCREW M4X18		2				
029	411467-1	CLAMP COVER		1				
030	911128-8	P.H.SCREW M4X16 WITH WR		2				
031	157859-7	GEAR HOUSING		1				
C10	213459-4	O RING 32		1				

Item	Parts No.	Description	I/C	Qty	N/O	Opt. 1	Opt. 2	Note
C20	951157-9	SPRING PIN 5-16		2				
032	212113-7	NEEDLE BEARING 1212		1				
033	961060-6	RETAINING RING S-20		1				
034-1	226411-3	HELICAL GEAR 41		1				
035	315055-5	BEARING BOX		1				
036	211306-3	BALL BEARING 6204LLB		1				
037	253327-9	THIN WASHER 20		1				
038	321729-8	SPINDLE		1				
039	285649-9	BEARING RETAINER 72		1				
040	912231-8	COUNTERSUNK HEAD SCREW M5X20		4				
041	224264-4	INNER FLANGE 65		1				
042-1	224310-3	OUTER FLANGE 65		1				
043	251644-1	HEX. FLANGE HEAD BOLT M8X20		1				
044	931302-2	HEX. NUT M6		1				
045	942151-2	SPRING WASHER 6		1				
046	151281-0	BLADE CASE		1	*			
C10	817931-4	CAUTION LABEL		1	*			
046-1	154925-1	BLADE CASE COMPLETE	<	1				
C10	817931-4	CAUTION LABEL		1				
047	265324-3	HEX. FLANGE HEAD BOLT M8X12		1				
048	231939-8	SPRING 30		1				
049	414084-6	SAFETY COVER		1	*			
049-1	419482-9	SAFETY COVER	<	1				
050	343358-7	CENTER PLATE		1				
051	923311-5	CAP SQUARE NECK BOLT M6X12		1				
052	911206-4	PAN HEAD SCREW M5X10		2				
053	343492-3	BLADE STOPPER		2				
054	251333-8	+ PAN HEAD SCREW M8		1				
055	253878-2	FLAT WASHER 10		1				
056	251339-6	+ PAN HD. SCREW M8		1				
057	257146-5	RING 10		1				
058-1	343792-1	GUIDE ARM		1				
059	253731-2	FLAT WASHER 8		1				
060	254203-0	KEY 4		1				
061	911121-2	PAN HEAD SCREW M4X14		2				
062-1	251399-8	+ PAN HEAD SCREW M5		1				
063	411479-4	CUSHION		1				
064	251959-6	-SCREW (FLAT POINT)M10X80		1				
065	941252-3	FLAT WASHER 10		1				
066	931501-6	HEX. NUT M10		1				
067	921551-9	HEX. BOLT M10X30		4				
068	316030-4	GUIDE FENCE		1	*			
068-1	318866-7	GUIDE RULE	<	1				
069	163279-5	SUPPORTER		1				
070	922331-6	HEX. SOCKET HEAD BOLT M6X20		1				
071	322144-9	SET SCREW M10		1				
072	251698-8	HEX. BOLT M16		1				
073	253771-0	FLAT WASHER 16		1				

Item	Parts No.	Description	I/C	Qty	N/O	Opt. 1	Opt. 2	Note
074	154358-0	ARM COMPLETE		1	*			
C11	256738-7	PIN 5		2	*			
074-1	154358-0	ARM COMPLETE	X	1	*			
C11	256738-7	PIN 5		1	*			
074-2	154929-3	ARM COMPLETE	<	1				
C11	256738-7	PIN 5		1				
075	231533-6	TORSION SPRING 33		1				
076	341926-0	HANDLE LATCH		1				
077	253948-7	WAVE WASHER 8		1				
078	251298-4	+ PAN HEAD SCREW M8		1				
079	253771-0	FLAT WASHER 16		1				
080	252044-8	HEX. NUT M16-24		1				
081	414092-7	FENCE PLATE		1	*			
081-1	419483-7	FENCE PLATE	<	1				
082	410849-4	KERF BOARD		1	*			
082-1	453636-8	KERF BOARD	<	1				
083	312511-6	SET PLATE		1				
084	322027-3	HOLDER		1				
085	251804-5	SCREW M6X13		1				
086	911317-5	PAN HEAD SCREW M6X14		1				
087	253047-5	FLAT WASHER 6		1				
088	315891-9	WISE PLATE		1				
089	253744-3	FLAT WASHER 12		1				
090	341912-1	NUT HOLDER		1				
091	342967-9	SET PLATE		1				
092	341911-3	PROTECTOR		2				
093	321490-7	RELEASE NUT R		1				
094	321491-5	RELEASE NUT L		1				
095	151202-2	VICE ARM COMPLETE		1	*			
C10	816136-3	INDICATION LABEL		1	*			
095-1	151201-4	VICE ARM COMPLETE	O	1				
C10	816182-6	INDICATION LABEL		1				
096	271275-0	KNOB 45		1				
097	911216-1	PAN HEAD SCREW M5X14		1				
098	273436-8	GRIP 37		1				
099	911108-4	PAN HEAD SCREW M4X8		2				
100	816173-7	INDICATION LABEL		1				
101	342823-3	PLATE		1				
102	321981-8	LATCH PIN		1				
103	911256-9	PAN HEAD SCREW M5X35		1				
104	921456-3	HEX. BOLT M8X35		2				
105	232093-1	LEAF SPRING		1				
106	343359-5	LATCH SPRING		1				
107	311795-3	TURNING STAY		1				
108-1	924216-2	WING BOLT M5X15		2				
109	151248-8	BASE COMPLETE		1				
C10	817837-6	CAUTION LABEL		1				
C20	953206-8	RIVET 2-5		3				

Model No. LS1440 MITER SAW 355MM

Item	Parts No.	Description	I/C	Qty	N/O	Opt. 1	Opt. 2	Note
110	322027-3	HOLDER		1				
111	922562-7	HEX. SOCKET HEAD BOLT M10X40		2				
112	942251-8	SPRING WASHER 10		2				
113	311796-1	TURN BASE		1				
114	253878-2	FLAT WASHER 10		1				
115	262044-0	RUBBER RING 12		1				
116	253011-6	FLAT WASHER 6		1				
117	911216-1	PAN HEAD SCREW M5X14		1				
118	267710-4	WASHER 15		1				
400	782212-4	SOCKET WRENCH 13		1				
402	122330-0	DUST BAG ASS'Y		1				
D10		INC. 403						
403	410602-8	FASTENER		1				
500-2	122563-7	WISE ASS'Y		1				
D10		INC. 86-97						