

# SPARE PARTS LIST

MODEL NO. HM1400

ITEM	PART NO.	DESCRIPTION	QTY	NOTE
001	922471-0	H.S.H. BOLT M8 X 50	6	
003	211109-5	BALL BEARING 6201 /HR5001C	1	
004	221713-2	HELICAL GEAR 36 /HM1400	1	
005	211109-5	BALL BEARING 6201 /HR5001C	1	
006	331212-7	SEAL /HM1400	1	
007	213460-9	O RING 35/2400B/LS800DWA/LS1013B/LS1214B	1	
008	211206-7	BALL BEARING 6202LLB /BJR240SJE/LS1040	1	
009	213202-1	DUST SEAL 15 /5100BR	1	
010	241648-1	FAN 104 /HM1300	1	
011	514844-7	ARMATURE /HM1400	1	
		INC. 8-13		
012	*****	*****	***	*****
013	211066-7	BALL BEARING 6200LLB /9403/HK0500	1	
014	213406-5	O RING 30 /5800NB/HR3000C/HR4002	1	
015	524794-8	FIELD /HM1400	1	
016	942301-9	SPRING WASHER 12	1	
017	922667-3	H.S.H. BOLT M12 X 45 /HM1400	1	
018	321560-2	CRANK SLEEVE /HM1400	1	
019	321557-1	CONNECTING ROD /HM1400	1	
020	212307-4	NEEDLE BEARING 1820	1	
022	265343-9	(+) HEX BOLT M5 X 80 /HM1400	2	
023	321556-3	CRANK SHAFT /HM1400	1	
024	266009-4	HEX.SOCKET HEAD BOLT M8 X 18 /HM1400	4	
025	254001-2	WOODRUFF KEY 4 /4107RH/4101RH/2012NB	2	
027	315525-4	BEARING BOX /HM1400	1	
028	211359-2	BALL BEARING 6205	1	
029	213354-8	OIL SEAL 25	1	
030	157648-0	GEAR HOUSING /HM1400	1	
		INC. 7		
031	221714-0	HELICAL GEAR 53 /HM1400	1	
032	211214-8	BALL BEARING 6302	1	
033	315908-8	GEAR HOUSING COVER /HM1400	1	
034	323147-6	SWITCH LEVER PIN /4300D	1	
035	342531-6	SWITCH LEVER /HM1400	1	
036	961011-9	STOP RING E-4 /HR2450/HR2450F/4329	1	
037	651131-4	SWITCH C3D-15MS	1	
038	181906-2	HANDLE SET /HM1400	1	
		INC. 52		
039	911253-5	P.H.SCREW M5 X 30 /JR3030T	3	
040	922356-0	H.S.H. BOLT M6 X 35 /HM1800	4	
042	316385-7	REAR CASE /HM1400	1	
043	253751-6	FLAT WASHER 24 /6905B	1	
044	159420-6	MOTOR HOUSING /HM1400	1	
045	953106-2	RIVET 0-5 /4107RH	4	
046	855573-6	NAME PLATE HM1400	1	
047	423137-0	PACKING /HM1400	1	
048	687000-3	STRAIN RELIEF /4107RH	1	
049	911133-5	P.H. SCREW M4 X 18 /1902/1902SP/4101RH	2	
050	685725-3	SPONGE /HR4002	1	
051	645105-5	NOISE SUPPRESSOR /LS1013B/KP0810/HR4002	1	
052	181906-2	HANDLE SET /HM1400	1	
		INC. 38		
053	922461-3	H.S.H. BOLT M8 X 40	4	
055	321956-7	HANDLE SLEEVE /HM1400	4	
056	421308-3	SLEEVE /HM1400	4	
057	682505-8	CORD GUARD /LS1013B/LS1214B/LS1040	1	

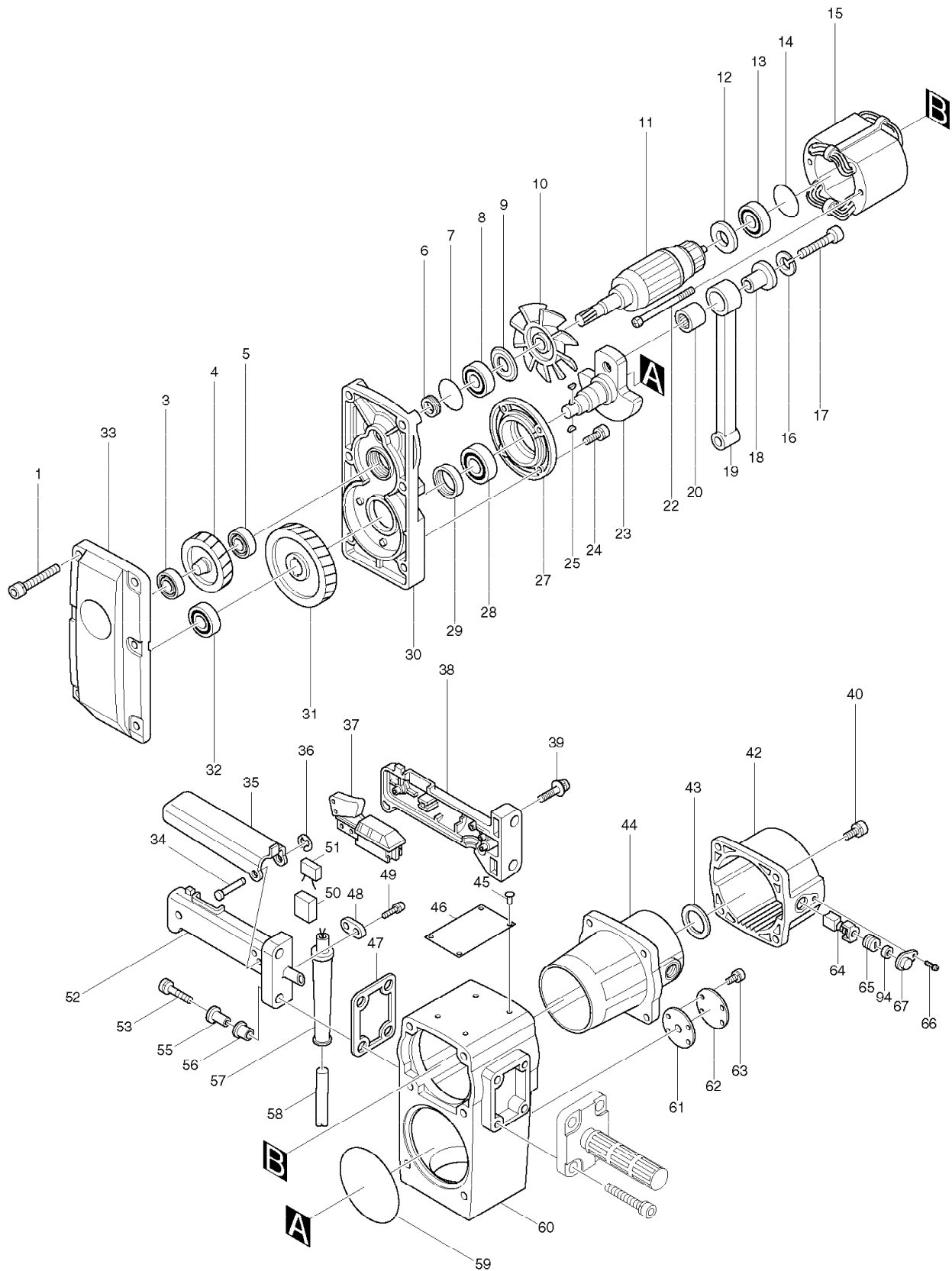
# SPARE PARTS LIST

MODEL NO. HM1400

ITEM	PART NO.	DESCRIPTION	QTY	NOTE
058	666426-2	POWER SUPPLY CORD 1.00-2-5.0 / HR4011C	1	
059	213855-6	O RING 95 /HM1400	1	
060	157649-8	CRANK HOUSING /HM1400	1	
061	442009-0	PACKING 50 /HM1300	1	
062	341397-1	PLATE 50	1	
063	911211-1	PAN HEAD SCREW M5 X 12 /9803	4	
064	181048-2	CARBON BRUSH CB-155	1	
065	643650-4	BRUSH HOLDER CAP /2703/HR5001C/4107RH	2	
066	911216-1	P.H. SCREW 5 X 14	2	
067	343891-9	HOLDER CAP PLATE /HM1400	2	
068	213755-0	O RING 75 /HM1400	1	
069	315524-6	CYLINDER /HM1400	1	
071	922461-3	H.S.H. BOLT M8 X 40	4	
072	262034-3	NYLON RING 63 /HM1400	1	
073	253861-9	FLAT WASHER 63 /HM1400	1	
074	331299-9	IDLER /HM1400	1	
075	322208-9	RING HOLDER /HM1400	1	
076	321563-6	IMPACT BOLT /HM1400	1	
077	262039-3	NYLON RING 42 /HM1400	1	
078	213517-6	X RING 40. /HM1300	1	
079	213504-5	O RING 40 /9820-2/AN943	1	
080	213754-2	O RING 71 /HM1200K /HR4511C	1	
082	266010-9	H.S.H.BOLT M8x30 /HM1303/HM1400	6	
083	321961-4	TOOL HOLDER /HM1400	1	
084	321788-2	TOOL RETAINER /HM1400	1	
085	231032-8	COMPRESSION SPRING 5 /8900N	1	
086	216004-4	STEEL BALL 7.9 /HR3510/HR3850K	1	
087	322059-0	HAMMER /HM1400	1	
088	412055-7	PISTON RING 50 /HM1400	1	
089	341993-5	INNER RING /HM1400	1	
090	412055-7	PISTON RING 50 /HM1400	1	
091	341993-5	INNER RING /HM1400	1	
092	321562-8	PISTON /HM1400	1	
093	256128-4	PIN 10 /HM1400	1	
094	262003-4	RUBBER RING 6 /HM1400/LS1013B/LS1013B	2	
400	273423-7	GRIP 40 /HM1400	1	
402	922451-6	HEX. SOCKET HEAD BOLT M8X30 /HM1202C	4	
404	783204-6	HEX.WRENCH 6MM /HM1200K/HM1800/HM1400	1	
405	798029-5	BULL POINT 30-410	1	

# SERVICE DRAWING

MODEL NO. HM1400



# SERVICE DRAWING

MODEL NO. HM1400

