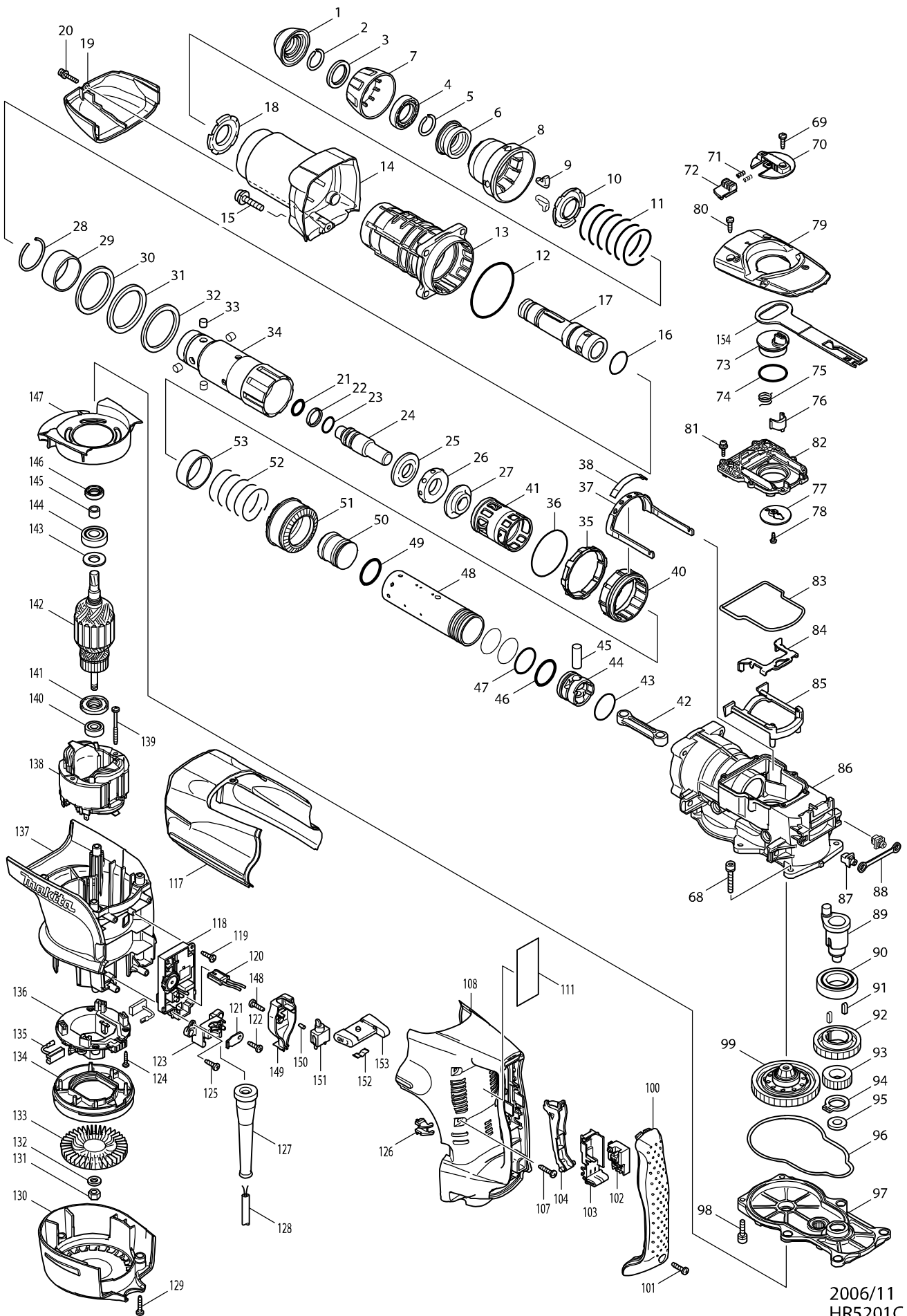


# Model No. HR5201C ROTARY HAMMER 52MM



2006/11  
HR5201C

# Model No. HR5201C ROTARY HAMMER 52MM

Item	Parts No.	Description	I/C	Qty	N/O	Opt. 1	Opt. 2	Note
001-1	286285-4	TOOL HOLDER CAP		1				
002	233948-3	RING SPRING 25		1				
003	257280-1	RING 28		1				
004	419002-9	SPACER		1				
005	233948-3	RING SPRING 25		1				
006	324752-2	CHUCK RING		1				
007	419778-8	CHUCK COVER		1				
008	419779-6	RELEASE COVER		1				
009	310178-4	TOOL RETAINER		2				
010	345804-6	SPRING GUIDE		1				
011	233496-2	COMPRESSION SPRING 49		1				
012	213766-5	O-RING 78		1				
013	158175-0	BARREL COMPLETE		1				
C10	213576-0	OIL SEAL 45		1				
C20	214657-3	PLANE BEARING 52		1				
C30	214658-1	PLANE BEARING 57		1				
014	158179-2	BARREL COVER COMPLETE		1				
015	922456-6	HEX. SOCKET HEAD BOLT M8X35		4				
016	213492-6	O-RING 32		1				
017	324740-9	TOOL HOLDER A		1				
018	345804-6	SPRING GUIDE		1				
019	419791-6	GEAR HOUSING COVER		1				
020	922148-7	HEX. SOCKET HEAD BOLT M4X25		1				
021	213274-6	O RING 18		1				
022	213392-0	FLUORIDE RING 25		1				
023	213317-4	O RING 20		1				
024	324753-0	IMPACT BOLT		1				
025	324756-4	RING 20		1				
026	424000-0	RUBBUR RING 24		1				
027	324757-2	COLLAR SLEEVE 20		1				
028	233949-1	RING SPRING 44		1				
029	257282-7	RING 47		1				
030	267287-9	FLAT WASHER 57		1				
031	262122-6	URETAHNE RING 57		1				
032	267287-9	FLAT WASHER 57		1				
033	256265-4	PIN 10		4				
034	324741-7	TOOL HOLDER B		1				
035	419776-2	LOCK SLEEVE		1				
036	213654-6	O RING 60		1				
037	165459-9	RINK ARM		1				
038	419775-4	LINK ARM GUIDE		1				
040	313138-5	DRIVING SLEEVE		1				
041-1	419780-1	SLIDE SLEEVE		1				
042-1	451516-2	CONECTING ROD		1				
043	213460-9	O RING 35		1				
044	419771-2	PISTON		1				
045	268121-6	PIN 12		1				
046-1	213296-6	O-RING 34		1				

Item	Parts No.	Description	I/C	Qty	N/O	Opt. 1	Opt. 2	Note
047	213510-0	O RING 36		3				
048	331748-6	CYLINDER 40		1				
049-1	213296-6	O-RING 34		1				
050	324754-8	STRIKER		1				
051	227511-2	STRAIGHT BEVEL GEAR 33		1				
052	233498-8	COMPRESSION SPRING 46		1				
053	257281-9	RING 45		1				
068	922361-7	HEX. SOCKET HEAD BOLT M6X40		4				
069	266192-7	TAPPING SCREW 4X14		1				
070	419020-7	CHANGE LEVER		1				
071	233436-0	COMPRESSION SPRING 3		2				
072	419777-0	LOCK BUTTON		1				
073-1	450687-2	CRANK LEVER		1				
074-1	213534-6	O RING 36		1				
075	233506-5	TORSION SPRING 16		1				
076	310207-3	LINK LEVER		1				
077	345778-1	RETAINER PLATE		1				
078-1	265014-8	+ PAN HEAD SCREW M4X12		1				
079	318130-6	CRANK CAP COVER		1				
080	266192-7	TAPPING SCREW 4X14		2				
081	911133-5	PAN HEAD SCREW M4X18		6				
082	419789-3	CRANK CAP		1				
083	421998-2	SEAL RING		1				
084	345779-9	LINK PLATE		1				
085	419781-9	LINK PLATE GUIDE		1				
086	158177-6	CRANK HOUSING COMPLETE		1				
087	419008-7	FIX GUIDE		2				
088	423366-5	CUSHION PLATE		1				
089	324739-4	CRANK SHAFT		1				
090	211418-2	BALL BEARING 6006LLU		1				
091	254229-2	KEY 5		2				
092	226646-6	HELICAL GEAR 47		1				
093	227176-0	SPUR GEAR 24		1				
094	961102-6	RETAINING RING S-22		1				
095	253843-1	FLAT WASHER 12		1				
096	421999-0	SEAL RING		1				
097	158178-4	GEAR HOUSING COMPLETE		1				
098	922341-3	HEX. SOCKET HEAD BOLT M6X25		2				
099	125374-9	TORQUE LIMITER ASS'Y		1				
100	419796-6	HANDLE COVER		1				
101	265995-6	TAPPING SCREW 4X18		1				
102-1	650676-9	SWITCH C3PA-1111		1				
103	154626-1	SWITCH HOLDER COMPLETE		1				
104	419028-1	SWITCH LEVER		1				
107	266041-8	TAPPING SCREW 5X25		6				
108	419799-0	HANDLE		1				
111	863359-4	HR5201C NAME PLATE		1				
117	419794-0	CRANK HOUSING COVER		1				

Item	Parts No.	Description	I/C	Qty	N/O	Opt. 1	Opt. 2	Note
118	631727-7	CONTROLLER		1				
119	266192-7	TAPPING SCREW 4X14		1	*			
119-1	266901-4	TAPPING SCREW 4X14	<	1				
120	638510-3	LEAD UNIT		1				
121	687169-3	STRAIN RELIEF		1				
122	266192-7	TAPPING SCREW 4X14		1				
123	419024-9	CORD CLAMP BASE		1				
124	265995-6	TAPPING SCREW 4X18		4				
125	266192-7	TAPPING SCREW 4X14		1	*			
125-1	266901-4	TAPPING SCREW 4X14	<	1				
126	419774-6	LENS		1				
127	682560-0	CORD GUARD 10		1				
128	692623-4	POWER SUPPLY CORD 1.5-2-4.0		1				
129	266041-8	TAPPING SCREW 5X25		3				
130	419790-8	REAR COVER		1				
131	252178-7	HEX. NUT M8-12		1				
132	253165-9	FLAT WASHER 8		1				
133	240016-5	FAN 90		1				
134	419782-7	FAN GUIDE		1				
135-2	195845-0	CARBON BRUSH CB-175		1				
136	638447-4	BRUSH HOLDER UNIT		1	*			
136-1	632D00-2	BRUSH HOLDER UNIT	<	1				
137	419795-8	MOTOR HOUSING		1				
138	636303-2	FIELD 220-240V		1				
139	266095-5	TAPPING SCREW 5X55		2				
140	210059-1	BALL BEARING 6000DDW		1				
141	681642-5	INSULATION WASHER		1				
142	516993-6	ARMATURE ASS'Y 220-240V		1				
D10		INC. 140,141,145						
143	267025-9	FLAT WASHER 15		1				
144	211238-4	BALL BEARING 6202LLU		1				
145	331596-3	SLEEVE 12		1				
146	213231-4	OIL SEAL 15		1				
147	419788-5	BAFFLE PLATE		1				
148	266192-7	TAPPING SCREW 4X14		1				
149	419786-9	SWITCH BOX		1				
150	263027-3	RUBBER PIN 4		1				
151	651418-4	SWITCH ST115A-40		1				
152	232209-8	LEAF SPRING		1				
153	154635-0	SLIDE LEVER COMPLETE		1				
154	419785-1	CONTROL PLATE		1				
155-1	819362-3	CLEAR LABEL		1				
A01	158131-0	GRIP 36 COMPLETE		1				
A02-3	196186-7	PLASTIC CASE SET		1				
C10	892399-5	INDICATION LABEL		1				
C20	162271-8	LATCH		2				
A03-1	194683-7	GREASE VESSEL SET		1				
A04-1	135269-8	SIDE HANDLE 82 ASS'Y		1				

**Model No. HR5201C ROTARY HAMMER 52MM**

Item	Parts No.	Description	I/C	Qty	N/O	Opt. 1	Opt. 2	Note
C10	252640-2	WING NUT M8		1				
C20	265439-6	HEX. BOLT M8X150		1				
C30	318505-9	SIDE HANDLE BASE 82A		1				
C40	318506-7	SIDE HANDLE BASE 82B		1				
C50	417002-3	SIDE HANDLE CAM		2				
C60	417003-1	SIDE HANDLE		1				
C70	951166-8	SPRING PIN 5-24		1				
A05	265701-9	SCREW M6X14		1				
A06	266163-4	CUP SQUARE NECK BOLT M8X80		1				
A07	321248-4	DEPTH GAUGE		1				
A08	344492-6	PLATE		1				
A09	345780-4	GRIP SPRING 82		1				
A10	419792-4	SIDE GRIP BASE 82		1				
A11	443122-7	CLOTH		1				
A12	931302-2	HEX. NUT M6		1				
A13-1	892063-8	HR5201C PLASTIC CASE LABEL		2				
A15	135380-6	GRIP 36 ASSY		1				
D10		INC. A01,A05-A10,A12						