

SPARE PARTS LIST

MODEL NO. EA3201S

ITEM	PART NO.	DESCRIPTION	QTY	NOTE
001	168507-3	TANK CAP COMPLETE INC. 2	1	
002	213080-9	O RING 29.5	1	
003	163447-0	GASOLINE FILTER	1	
004	195758-5	TANK ASSEMBLY A BLUE INC. 5-13	1	
005	266651-1	H.L. TAPPING SCREW 5.5X16	1	
006	452021-2	GRIP SHELL	1	
007	452020-4	CATCH LEVER	1	
008	231866-9	TORSION SPRING 10	1	
009	452019-9	THROTTLE LEVER	1	
010	195762-4	AIR VALVE SET	1	
011	452018-1	FUEL NIPPLE	1	
012	213586-7	O RING 11.5	1	
013	424456-7	FUEL LINE	1	
014	869091-8	EA3201S NAME PLATE	1	
017	452036-9	TUBULAR HANDLE	1	
018	346517-2	CUP WASHER 6	1	
019	234189-4	COMPRESSION SPRING 12	1	
020	266605-8	H.L. SOCKET HEAD BOLT M5X16	1	
021	266651-1	H.L. TAPPING SCREW 5.5X16	1	
022	891898-4	MAKITA LOGO LABEL	1	
023	266651-1	H.L. TAPPING SCREW 5.5X16	4	
024	452031-9	AIR FILTER COVER	1	
025	423414-0	AIR FILTER	1	
026	452030-1	INTAKE MANIFOLD	1	
027	266604-0	H.L. SOCKET HEAD BOLT M4X40	2	
028	424173-9	DAMPING PLUG	2	
029	168398-2	PRIMER PUMP	1	
030	422067-2	TUBE 2.5-55	1	
031	422065-6	TUBE 2.5-112	1	
032	422068-0	TUBE 3-70	1	
033	422066-4	TUBE 2.5-72	1	
034	318634-8	FLANGE RING	1	
035	346413-4	BUSH 17	1	
036	452024-6	INTERMEDIATE FLANGE	1	
037	424340-6	INTAKE HOSE	1	
038	233971-8	RING SPRING	1	
039	266651-1	H.L. TAPPING SCREW 5.5X16	1	
040	264044-6	SNAP NUT M5	1	
041	168602-9	CARBURETOR INC. 170-211	1	
042	266421-8	TAPPING SCREW 3X10	1	
043	346290-4	CONTACT SPRING	1	
044	266651-1	H.L. TAPPING SCREW 5.5X16	1	
045	452023-8	HOOD	1	
046	266607-4	H.L. SOCKET HEAD BOLT M5X20	1	
047	325938-1	ANGULAR NIPPLE	1	
048	346306-5	COOLING PLATE	1	
049	325939-9	CONNECTING LINK	1	
050	346304-9	GASKET	1	
051	266605-8	H.L. SOCKET HEAD BOLT M5X16	2	
052	168604-5	MUFFLER COMPLETE INC. 53	1	
053	346294-6	SPARK ARRESTER SCREEN	1	
054	266606-6	H.L. SOCKET HEAD BOLT M5X40	1	

SPARE PARTS LIST

MODEL NO. EA3201S

ITEM	PART NO.	DESCRIPTION	QTY	NOTE
055	266605-8	H.L. SOCKET HEAD BOLT M5X16	2	
056	195759-3	CYLINDER PISTON SET	1	
		INC. 57		
057	195760-8	PISTON SET	1	
		INC. 58-60		
058	325991-7	PISTON RING 38	1	
059	325992-5	PISTON PIN 8	1	
060	233988-1	RING SPRING 8	1	
061	213582-5	OIL SEAL 12	1	
062	211341-1	BALL BEARING 6201	1	
063	212086-4	NEEDLE CAGE 810	1	
064	195956-1	CRANK SHAFT SET	1	
		INC. 61,62,65,66		
065	211341-1	BALL BEARING 6201	1	
066	213582-5	OIL SEAL 12	1	
067	424339-1	CRANK CASE SEALING	1	
068	318633-0	CRANKCASE UNDERSIDE	1	
069	168507-3	TANK CAP COMPLETE	1	
		INC. 70		
070	213080-9	O RING 29.5	1	
071	452727-2	PLUG	1	
072	266651-1	H.L. TAPPING SCREW 5.5X16	2	
073	234189-4	COMPRESSION SPRING 12	1	
074	816917-5	INDICATION LABEL	1	
075	452025-4	CHOKE LEVER	1	
076	452022-0	THROTTLE LINKAGE	1	
077	266608-2	H.L.TAPPING SCREW 5X40	4	
078	325946-2	BUSH 6	4	
079	234189-4	COMPRESSION SPRING 12	1	
080	266651-1	H.L. TAPPING SCREW 5.5X16	2	
081	234189-4	COMPRESSION SPRING 12	1	
082	266651-1	H.L. TAPPING SCREW 5.5X16	2	
083	266651-1	H.L. TAPPING SCREW 5.5X16	2	
084	168504-9	VENT VALVE	1	
085	346301-5	SPIKE BAR	1	
086	346385-3	HEAT PROTECTION FOIL	1	
087	444029-0	ISOLATING TUBE 6-95	1	
088	346445-1	SPARK PLUG CONNECTOR	1	
089	168401-9	SPARK PLUG	1	
090	452670-5	ISOLATING WASHER	2	
091	125808-2	IGNITION COIL ASSEMBLY	1	
		INC. 87,88		
092	266631-7	H.L. SOCKET HEAD BOLT M5X20	2	
093	168601-1	CABLE HARNESS	1	
094	266651-1	H.L. TAPPING SCREW 5.5X16	3	
095	891901-1	EA3201S MODEL NO. LABEL	1	
096	168608-7	STARTER COMPLETE BLUE	1	
		INC. 97-99,101-105,141		
097	453783-5	STARTER GRIP	1	
098	267847-7	SQUARE WASHER 4	1	
099	444038-9	STARTER ROPE	1	
100	234252-3	REWIND SPRING	1	
101	453785-1	REEL	1	
102	234253-1	TORSION SPRING 20	1	
103	453786-9	CAM PLATE	1	
104	266777-9	TAPPING SCREW 5X12	1	

SPARE PARTS LIST

MODEL NO. EA3201S

ITEM	PART NO.	DESCRIPTION	QTY	NOTE
105	452026-2	AIR GUIDE PLATE	1	
106	264053-5	HEX. NUT M8X1	1	
107	267822-3	SPRING WASHER 8	1	
108	140480-9	FLYWHEEL COMPLETE INC. 109	1	
109	195761-6	RATCHET SET	2	
110	452032-7	HAND GUARD	1	
111	810075-9	CAUTION LABEL	1	
112	266627-8	H.L. TAPPING SCREW 4.7X16	1	
113	267066-5	FLAT WASHER 5	1	
114	313212-9	HAND GUARD GUIDE	1	
115	234210-9	COMPRESSION SPRING 6	1	
116	231868-5	TENSION SPRING 10	1	
117	163500-2	LINK PLATE COMPLETE	1	
118	325947-0	BUSH 6	2	
119	346299-6	SPACER SHEET METAL	1	
120	961011-9	STOP RING E-4	1	
121	452033-5	BRAKE COVER	1	
122	266421-8	TAPPING SCREW 3X10	2	
123	452035-1	PUMP DRIVE	1	
124	168645-1	OIL SUCTION LINE COMPLETE INC. 125,126	1	
125	234207-8	COMPRESSION SPRING 6	1	
126	452666-6	NIPPLE	1	
127	424342-2	OIL PRESSURE LINE	1	
128	168503-1	OIL PUMP COMPLETE INC. 129	1	
129	195872-7	OIL PUMP ADJUSTMENT SET	1	
130	266627-8	H.L. TAPPING SCREW 4.7X16	1	
131	267430-0	FLAT WASHER 10	1	
132	267431-8	FLAT WASHER 10	1	
133	168607-9	CLUTCH COMPLETE INC. 134	1	
134	231873-2	TENSION SPRING 5	2	
135	140980-9	CLUTCH DRUM ASSEMBLY	1	
136	267451-2	FLAT WASHER 8	1	
137	259033-4	RETAINING RING E TYPE 6	1	
138	346298-8	BRAKE BAND	1	
139	140482-5	ENGINE HOUSING COMPLETE TLC B	1	
140	453784-3	SPRING CASSETTE	1	
141	195955-3	REWIND SPRING SET INC. 100,140	1	
151	140510-6	SPROCKET GUARD TLC COMPLETE B INC. 152-158,161-168	1	
152	266007-8	TAPPING SCREW BIND PT 3X10	1	
153	346309-9	GUIDE PLATE	1	
154	266007-8	TAPPING SCREW BIND PT 3X10	1	
155	417403-5	COVER	1	
156	324068-5	ADJUST PIN	1	
157	226681-4	HELICAL GEAR 17	1	
158	226534-7	HELICAL GEAR 8	1	
159	346518-0	GUIDE PLATE	1	
160	892502-8	INDICATION LABEL	1	
161	233033-2	COMPRESSION SPRING 4	1	
162	216008-6	STEEL BALL 4	1	
163	419233-0	DIAL 40	1	

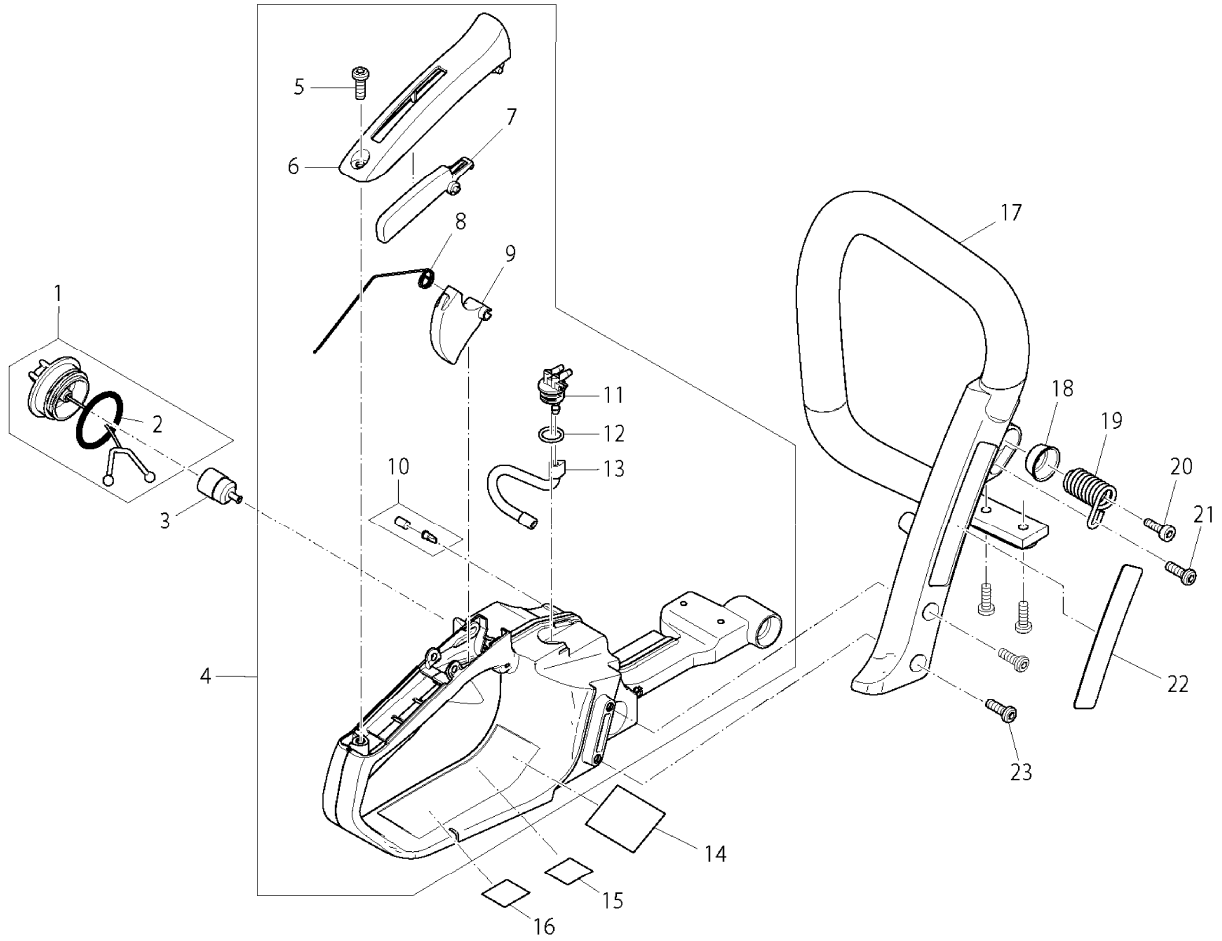
SPARE PARTS LIST

MODEL NO. EA3201S

ITEM	PART NO.	DESCRIPTION	QTY	NOTE
164	253874-0	FLAT WASHER 4	1	
165	915106-0	BINDING HEAD SCREW M4X8	1	
166	264042-0	HEX. NUT M8-13	1	
167	231025-5	COMPRESSION SPRING 8	1	
168	195764-0	WING GRIP SET	1	
170	WJ00096166	SCREW	1	
171	WJ00213750	COVER ASSEMBLY-PUMP	1	
172	WJ00096369	SCREW-IDLE ADJ.	1	
173	WJ00098356	SPRING	1	
174	WJ00096475	SCREW	1	
175	WJ00183519	LEVER-CHOKE	1	
176	WJ00983585	SPRING	1	
177	WJ00223556	SHAFT ASSEMBLY-THROTTLE	1	
178	WJ00098494	SPRING	1	
179	WJ01023908	NEEDLE-IDLE	1	
180	WJ01024001	NEEDLE-HIGH SPEED	1	
181	WJ00098404	SPRING	2	
182	WJ00136152	WASHER	2	
183	WJ00016105	RING-O	2	
184	WJ00062150	VALVE-CHOKE	1	
185	WJ00983270	SPRING	1	
186	WJ00166114	LEVER-METERING	1	
187	WJ00014477	PIN-METERING LEVER	1	
188	WJ00008282	VALVE-INLET NEEDLE	1	
189	WJ00963226	SCREW	1	
190	WJ00088271	PLUG-WELCH	1	
191	WJ00021158	COVER-METERING DIAPHRAGM	1	
192	WJ00095613	DIAPHRAGM ASSEMBLY-METERING	1	
193	WJ00092192	GASKET-METERING DIAPHRAGM	1	
194	WJ00223784	SHAFT ASSEMBLY-CHOKE	1	
195	WJ00013690	WASHER	1	
196	WJ00016682	LEVER-FAST IDLE	1	
197	WJ00983584	SPRING	1	
198	WJ00001673	RING-RETAINING	1	
199	WJ00183366	LEVER-THROTTLE	1	
200	WJ00983164	SPRING	1	
201	WJ00160511	PISTON ASSMBLY-ACCELERATOR	1	
202	WJ00088229	PLUG-CUP	1	
203	WJ00014070	INLET SCREEN	1	
204	WJ00343439	VALVE-THROTTLE	1	
205	WJ00009589	DIAPHRAGM-PUMP	1	
206	WJ00092225	GASKET-PUMP	1	
207	WJ00096589	SCREW ASSEMBLY	4	
208	WJ00096475	SCREW	1	
209	WJ00096475	SCREW	1	
210	WJ00096475	SCREW	1	
211	WJ00001673	RING-RETAINING	1	
A01	165202-6	GUIDE BAR 16"	1	
A02	419560-5	CHAIN COVER	1	
A03	195305-2	SAW CHAIN SET	1	
A04	782026-1	UNIVERSAL WRENCH 13/16	1	
A05	783012-5	SCREWDRIVER	1	

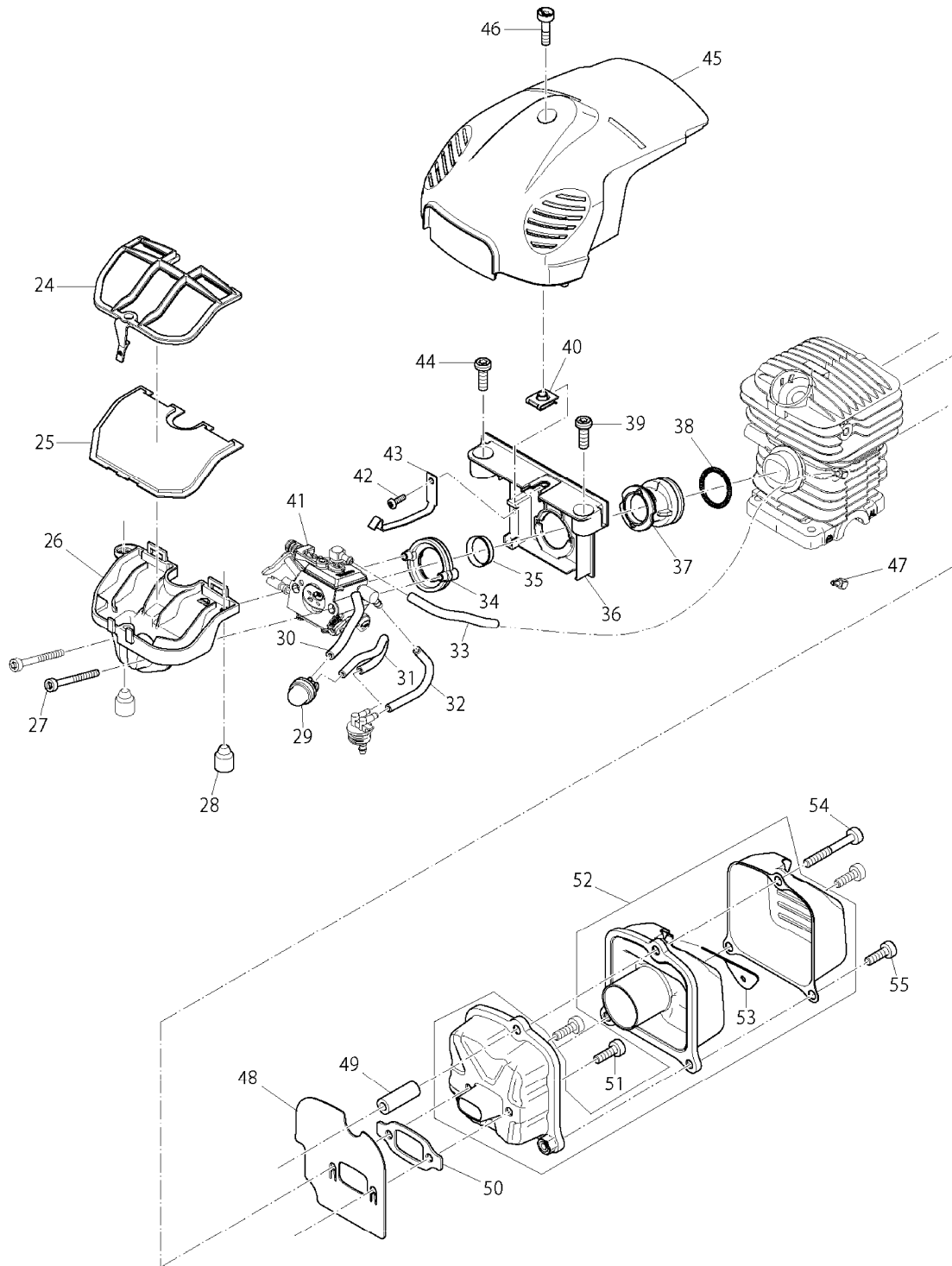
SERVICE DRAWING

MODEL NO. EA3201S



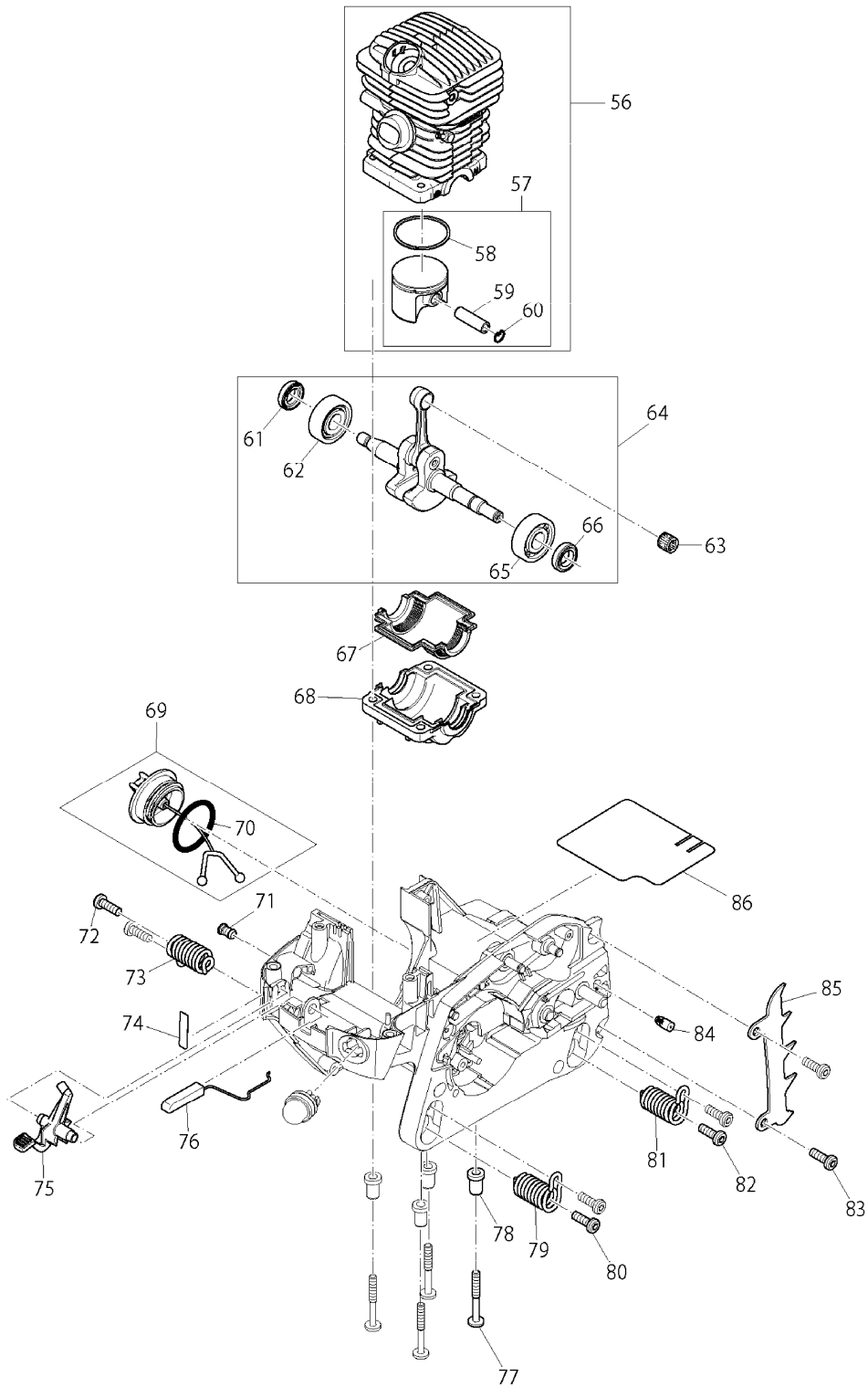
SERVICE DRAWING

MODEL NO. EA3201S



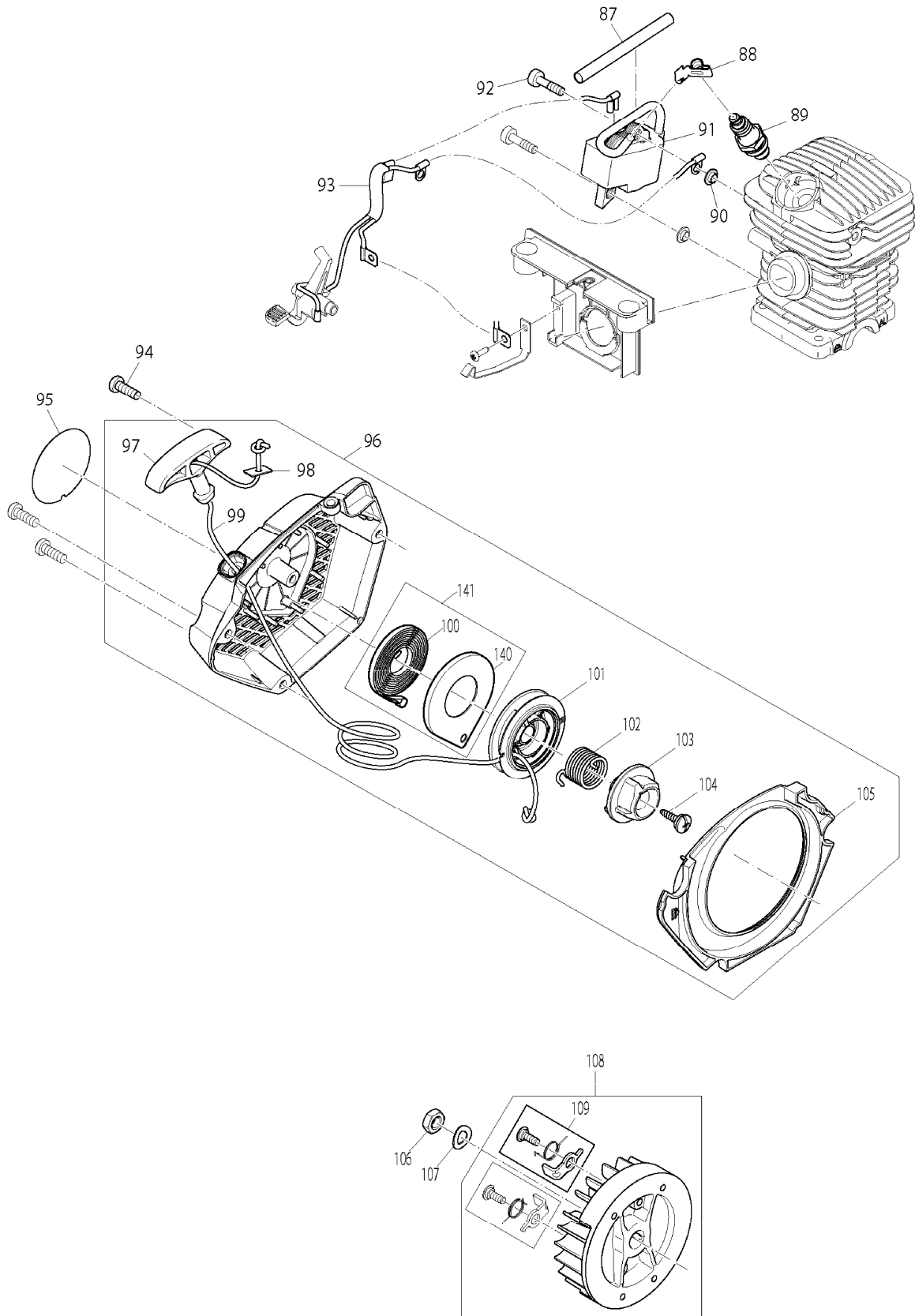
SERVICE DRAWING

MODEL NO. EA3201S



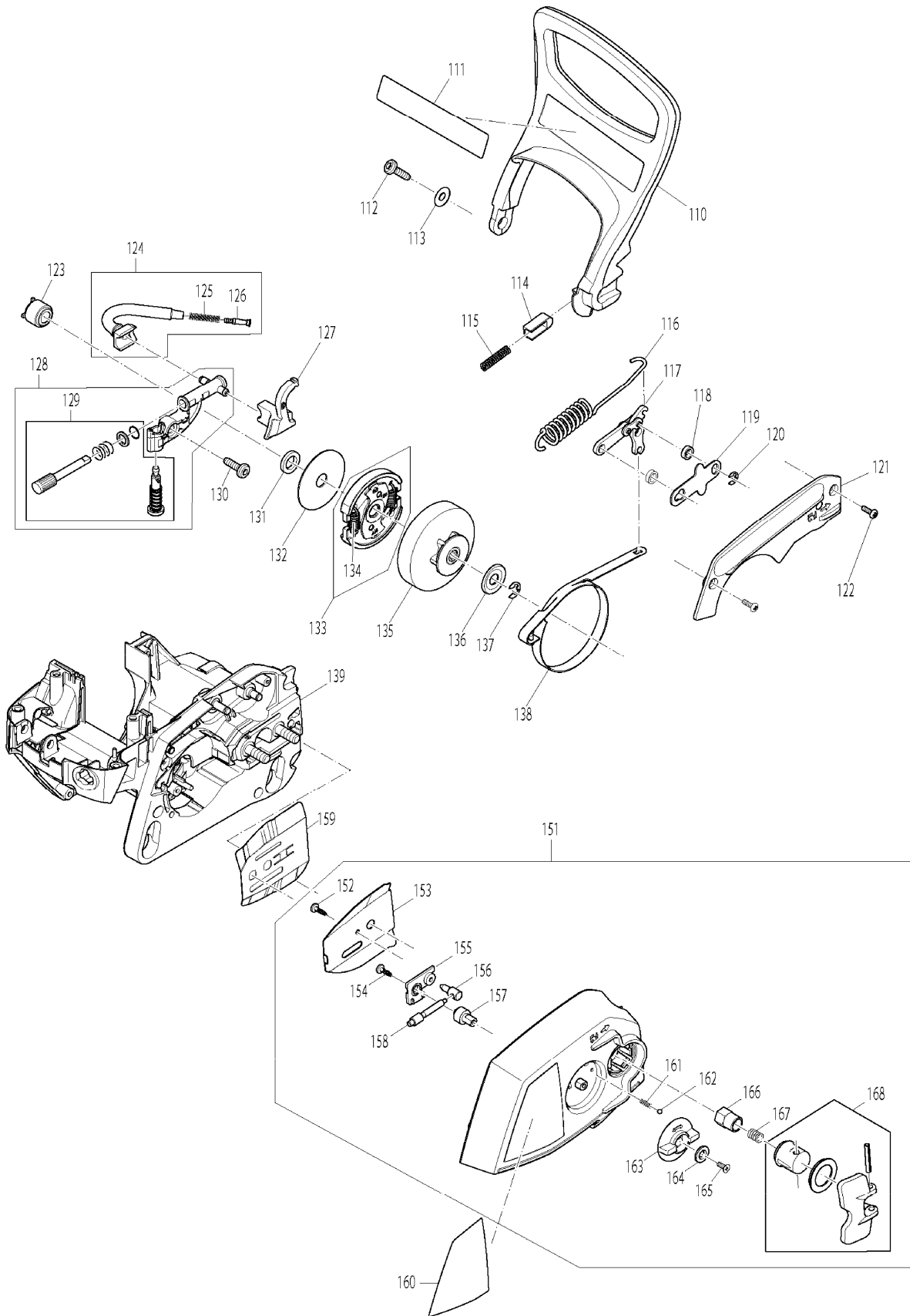
SERVICE DRAWING

MODEL NO. EA3201S



SERVICE DRAWING

MODEL NO. EA3201S



SERVICE DRAWING

MODEL NO. EA3201S

