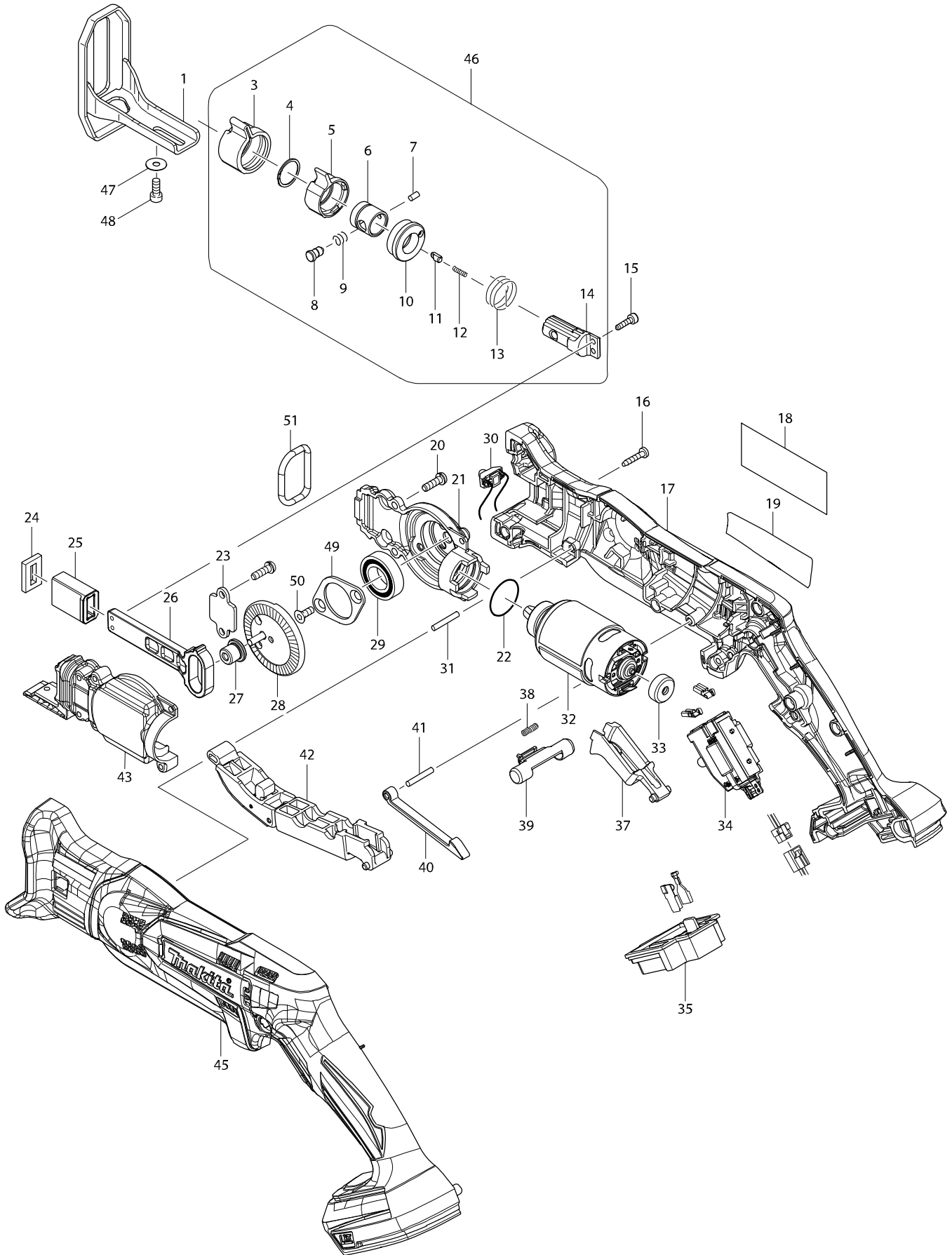


Model No. DJR183 CORDLESS RECIPRO SAW



Model No. DJR183 CORDLESS RECIPRO SAW

Item	Parts No.	Description	I/C	Qty	N/O	Opt. 1	Opt. 2	Note
001	165740-8	SHOE		1				
003	424466-4	PROTECTOR		1				
004	257981-1	RETAINING RING (EXT)16		1				
005	310496-0	DRIVING SLEEVE		1				
006	331963-2	GUIDE SLEEVE		1				
007	268094-3	PIN 3		1				
008	256492-3	SHOULDER PIN 5		1				
009	233345-3	COMPRESSION SPRING 6		1				
010	453071-0	CONNECTING SLEEVE		1				
011	310495-2	PUSH PIN		1				
012	233025-1	COMPRESSION SPRING 2		1				
013	233594-2	TORTION SPRING 17		1				
014	326113-2	BLADE GUIDE		1				
015	265910-0	HEX. SOCKET HEAD BOLT M3X12		2				
016	266429-2	TAPPING SCREW 3X16		10				
017	187760-2	HOUSING SET		1				
C10	263005-3	RUBBER PIN 6		2				
C20	423475-0	SPONGE SHEET		1				
D10		INC. 45						
019	814V98-1	DJR183 NAME PLATE		1				
020	266747-8	PAN HEAD SCREW M4X14 WITH WM		5				
021	319060-4	GEAR HOUSING		1				
022	213961-7	O RING 22		1				
023	346525-3	PLATE		1				
024	443185-3	FELT SEAL		1				
025	313220-0	SLIDER GUIDE		1				
026	313271-3	SLIDER		1				
027	313270-5	COLLARED SLEEVE 4		1				
028	142284-5	GEAR COMPLETE		1				
029	211242-3	BALL BEARING 6902ZZ		1				
030	620237-9	LED CIRCUIT		1				
031	256158-5	PIN 3		1				
032	629105-3	DC MOTOR		1				
033	424467-2	CAP		1				
034	650712-1	SWITCH C3HY-1A-PRLMS		1				
035	643852-2	TERMINAL		1				
037	453072-8	SWITCH LEVER R		1				
038	233438-6	COMPRESSION SPRING 4		1				
039	454661-2	LOCK OFF LEVER R		1				
040	313219-5	LINK		1				
041	256158-5	PIN 3		1				
042	141128-6	SWITCH LEVER F COMPLETE		1				
043	319061-2	GEAR HOUSING COVER		1				
045	187760-2	HOUSING SET		1				
C10	263005-3	RUBBER PIN 6		2				
C20	423475-0	SPONGE SHEET		1				
D10		INC. 17						
046	126201-3	BLADE CLAMP ASSEMBLY		1				

Item	Parts No.	Description	I/C	Qty	N/O	Opt. 1	Opt. 2	Note
D10		INC. 3-14						
047	253874-0	FLAT WASHER 4		1				
048	922112-8	HEX. SOCKET HEAD BOLT M4X10		1				
049	285738-0	BEARING RETAINER 36		1				
050	265035-0	COUNTERSUNK HEAD SCREW M4X10		2				
051	424597-9	RUBBER RING 23		1				
A01	B-20432	RECIPROSAW BLADE 100MM		1				
A02	B-20404	RECIPROSAW BLADE 100MM		1				
A03	783201-2	HEX. WRENCH 3		1				
A04B	***DC18RC	DC18RC FAST CHARGER		1				
A04C	***DC18RC	DC18RC FAST CHARGER		1				
A05B	194204-5	BATTERY BL1830 SET		2	*			
A05-1B	194204-5	BATTERY BL1830 SET	O	2	*			
A05-1C	196399-0	BATTERY BL1840 SET		2	*			
A05-2B	197600-6	BATTERY BL1830B SET	<	2				
A05-2C	197265-4	BATTERY BL1840B SET	<	2				
A06B	450128-8	BATTERY COVER		1				
A06C	450128-8	BATTERY COVER		1				
A07B	821586-9	PLASTIC CARRYING CASE		1				
C10	162315-4	LATCH		2				
C20	452137-3	HANDLE		1				
A07C	821586-9	PLASTIC CARRYING CASE		1				
C10	162315-4	LATCH		2				
C20	452137-3	HANDLE		1				