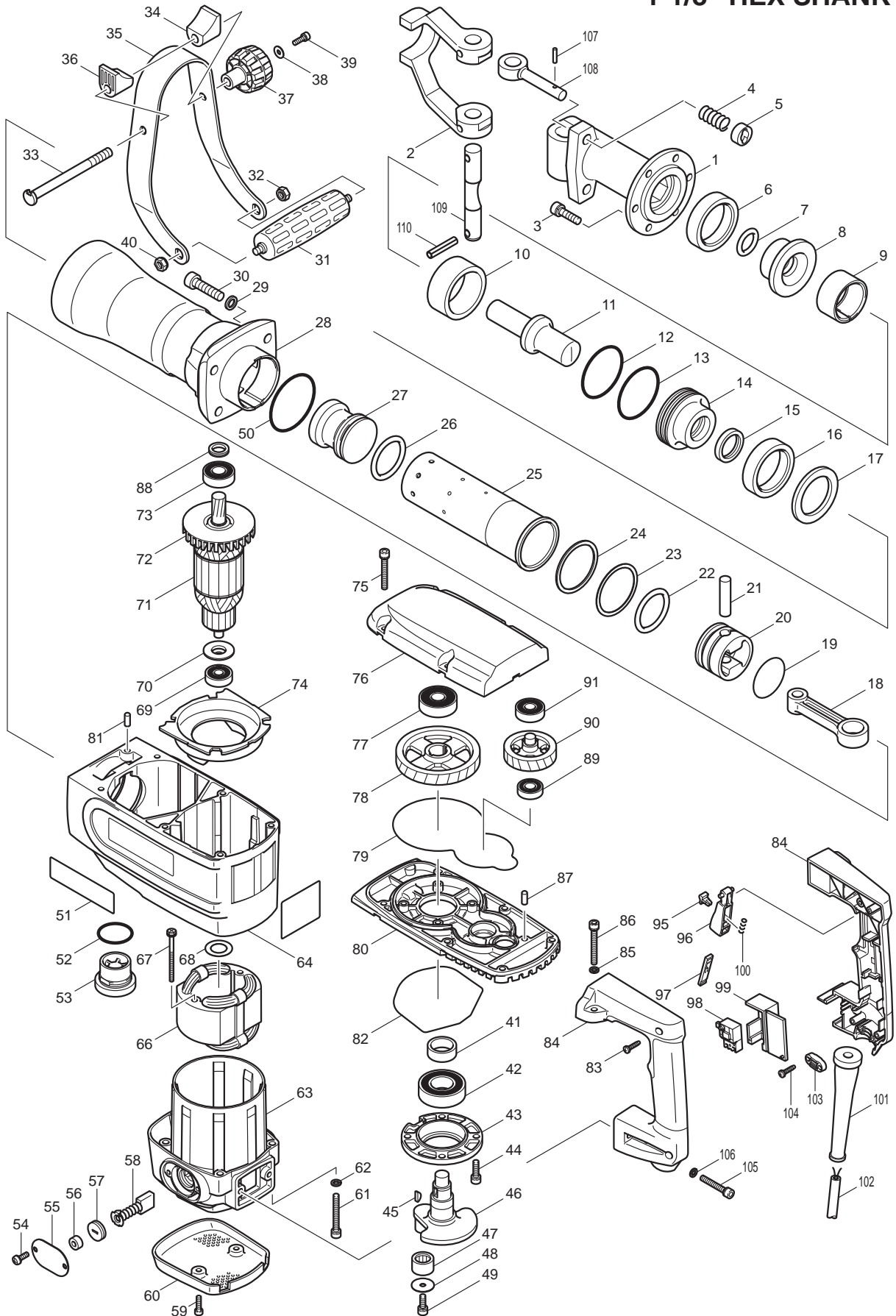




05 - 2010
HM1304B
DEMOLITION HAMMER
1-1/8" HEX SHANK



Item No.	Type	Sub Part No.	Description	Qty	Unit
ACCESSORIES - See catalogue or visit www.makita.ca for optional accessory -					
A01	1	183598-3	STEEL CARRYING CASE	1	PC.
		INC. 819140-1	MAKITA LOGO LABEL	1	PC.
A01	2	824826-4	PLASTIC CARRYING CASE	1	PC.
		INC. 163467-4	LATCH	2	PC.
A02		-----	BULL POINT 520	1	PC.

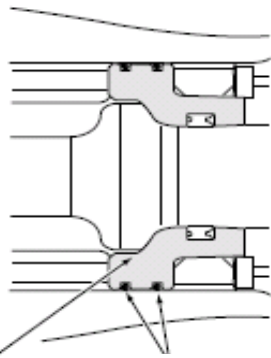
SERVICE CHANGES

1. Changes on Seal Holder, etc.

Item No.	Description	Type 1	Type 2
14	Seal Holder	324165-7	324738-6
12	O Ring 61/Seal Ring	323721-7	421975-4
13	O Ring 61	213721-7	-----

Above parts are completely interchangeable as a set.

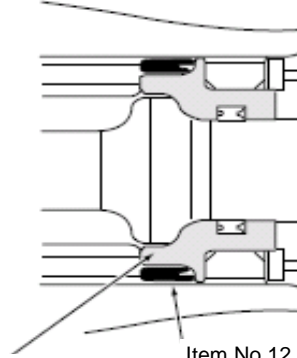
Type1



Item No.14 - Seal Holder

Item No.12 &13 -
O Ring 61

Type2



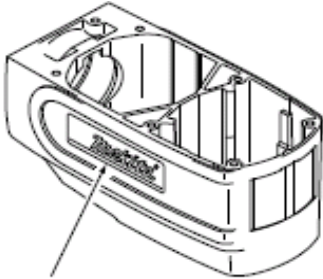
Item No.14 - Seal Holder

Item No.12 - Seal Ring

2. Changes on Crank Housing

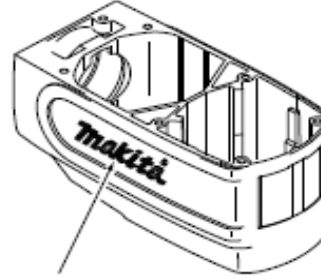
Item No.	Description	Type 1	Type 2
64	Crank Housing	183557-7	317623-0
51	Makita Label	819084-5	-----

Type1



Makita labels on the both sides
of Crank housing.

Type2



Raised Makita logos with
black painted on the both sides