



Makita Werkzeug Ges.m.b.H.

Airportstr. 4, 2401 Fischamend

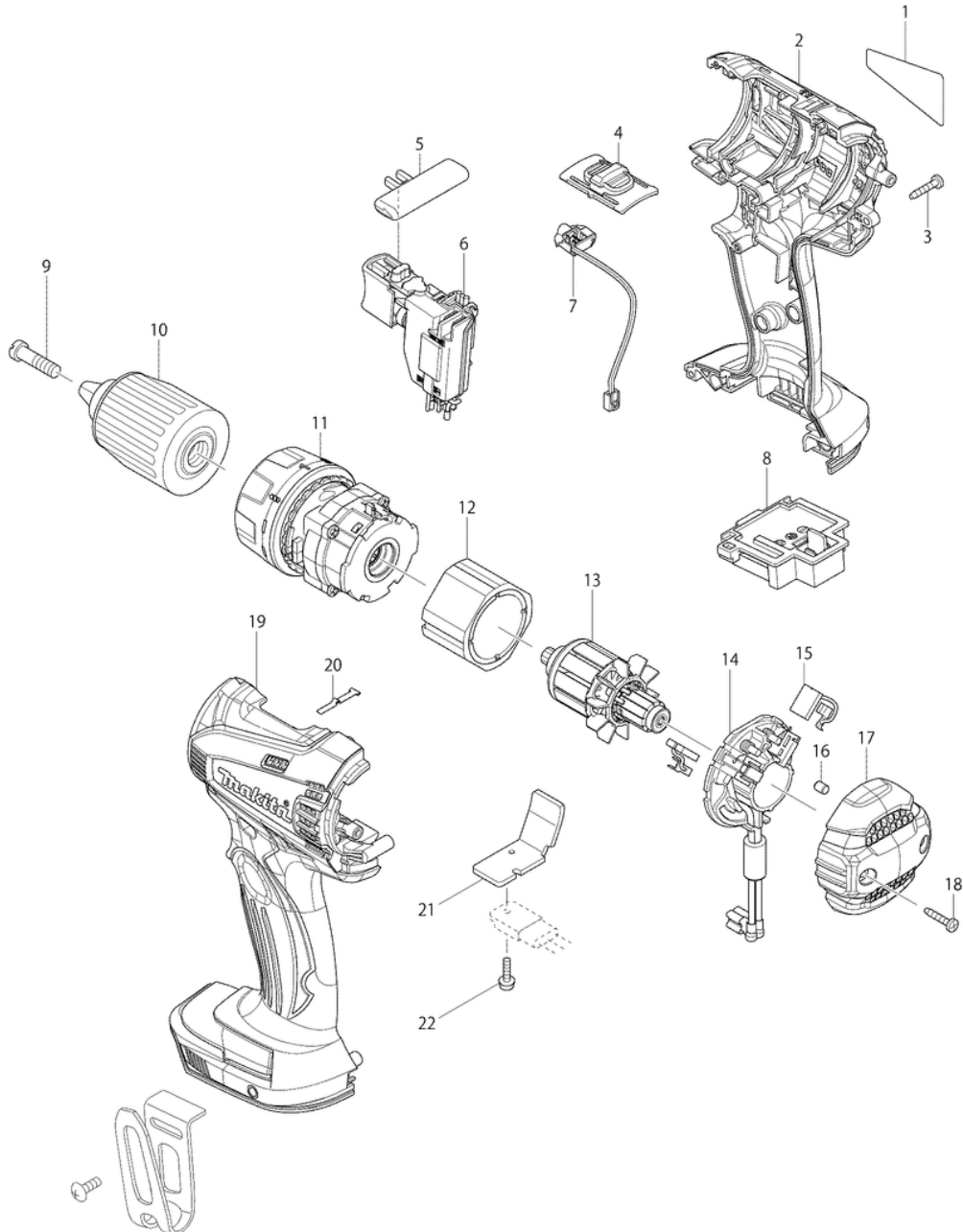
Tel: 02232 / 777 00

Fax: 02232 / 777 00 - 40

Mail: verkauf@makita.at

Web: www.makita.at

Makita Service Information / Model: BDF446





Makita Werkzeug Ges.m.b.H.

Airportstr. 4, 2401 Fischamend

Tel: 02232 / 777 00

Fax: 02232 / 777 00 - 40

Mail: verkauf@makita.at

Web: www.makita.at

Makita Service Information / Model: BDF446

| POS | Bestell-Nr. | Artikelbeschreibung | Stk. | Stk.Preis |
|--------|-------------|--------------------------------|------|-----------|
| 1 | 869792-8 | BDF446 NAME PLATE | 1 | N/A |
| 2 | 187071-5 | HOUSING SET | 1 | N/A |
| 2 | | *** INC. 19 | | N/A |
| 3 | 266429-2 | Csavar 3x16 | 9 | N/A |
| 4 | 125832-5 | SPEED CHANGE LEVER ASSEMBLY | 1 | N/A |
| 4 | 126289-3 | Váltógomb BDF456RFE | 1 | N/A |
| 4.2 | 126289-3 | Váltógomb BDF456RFE | 1 | N/A |
| 5 | 419250-0 | Váltókapcsoló /BDF442 | 1 | N/A |
| 6 | 650637-9 | Kapcsoló BDF456RFE | 1 | N/A |
| 6.2 | 650731-7 | SCHALTER BDF456/BHP456 | 1 | N/A |
| 7 | 620012-3 | Led BDF456RFE | 1 | N/A |
| 7.2 | 620388-8 | LICHTEINHEIT DDF446/456 | 1 | N/A |
| 8 | 643866-1 | TERMINAL | 1 | N/A |
| 9 | 251468-5 | Csavar M6x22 | 1 | N/A |
| 10 | 763175-3 | KEYLESS DRILL CHUCK 13 | 1 | N/A |
| 10.2 | 766027-7 | KEYLESS DRILL CHUCK 13 | 1 | N/A |
| 11 | 125831-7 | Hajtómű BDF456RFE | 1 | N/A |
| 11.2 | 126459-4 | Getriebe kpl. BDF456 | 1 | N/A |
| 12 | 638425-4 | Állórészmágnes | 1 | N/A |
| 13 | 619287-9 | ARMATURE | 1 | N/A |
| 14 | 638845-2 | Szénkefetartó BDF456RFE | 1 | N/A |
| 15 | 194427-5 | Szénkefe /BDF452RFE | 1 | N/A |
| 16 | 263032-0 | Gumistift | 2 | N/A |
| 17 | 452205-2 | REAR COVER | 1 | N/A |
| 18 | 266429-2 | Csavar 3x16 | 2 | N/A |
| 19 | 187071-5 | HOUSING SET | 1 | N/A |
| 19 | | *** INC. 2 | | N/A |
| 20 | 232182-2 | Laprugó 6096DW/6201DW/621 | 1 | N/A |
| 21 | 689170-4 | HEAT SINK | 1 | N/A |
| 22 | 911013-5 | Trapézfejű csavar M3x10 911013 | 1 | N/A |
| 1001 | 251314-2 | Csavar M4x12 LS0810/2012 | 1 | N/A |
| 1002 | 346317-0 | HOOK | 1 | N/A |
| 1003 | 784637-8 | + - BIT 2-45 | 1 | N/A |
| 1004 | 824953-7 | PLASTIC CARRYING CASE | 1 | N/A |
| 1004 | 821550-0 | CONNECTOR PLASTIC CASE (TYPE2) | 1 | N/A |
| 1004.2 | 140757-2 | PLASTIC CARRYING CASE COMPLETE | 1 | N/A |
| 1004.2 | 821550-0 | CONNECTOR PLASTIC CASE (TYPE2) | 1 | N/A |
| 1004.3 | 141856-3 | PLASTIC CARRYING CASE COMPLETE | 1 | N/A |
| 1005 | 450128-8 | BATTERY COVER | 1 | N/A |
| 1006 | ***DC18RA | DC18RA FAST CHARGER | 1 | N/A |



Makita Werkzeug Ges.m.b.H.

Airportstr. 4, 2401 Fischamend

Tel: 02232 / 777 00

Fax: 02232 / 777 00 - 40

Mail: verkauf@makita.at

Web: www.makita.at

Makita Service Information / Model: BDF446

| POS | Bestell-Nr. | Artikelbeschreibung | Stk. | Stk.Preis |
|--------|-------------|--------------------------------|------|-----------|
| 1006 | ***DC18RC | DC18RC FAST CHARGER | 1 | N/A |
| 1006.2 | ***DC18RC | DC18RC FAST CHARGER | 1 | N/A |
| 1007 | 194065-3 | BATTERY BL1430 SET | 2 | N/A |
| 1007.2 | 194065-3 | BATTERY BL1430 SET | 2 | N/A |
| 1008 | 893367-1 | BDF446RFE PLASTIC CASE LABEL | 2 | N/A |
| 1008 | 837679-2 | INNER TRAY | 1 | N/A |
| 1008.2 | 837916-4 | KOFFEREINSATZ BDF446RFJ-BDF459 | 1 | N/A |
| 1009 | 800N68-8 | BDF446RFJ INDICATION LABEL | 1 | N/A |
| 1009 | 800N70-1 | BDF446ZJ INDICATION LABEL | 1 | N/A |
| 1010 | 800N69-6 | BDF446RFJ PLASTIC CASE LABEL | 2 | N/A |
| 1010 | 800N71-9 | BDF446ZJ PLASTIC CASE LABEL | 2 | N/A |