



Makita Werkzeug Ges.m.b.H.

Airportstr. 4, 2401 Fischamend

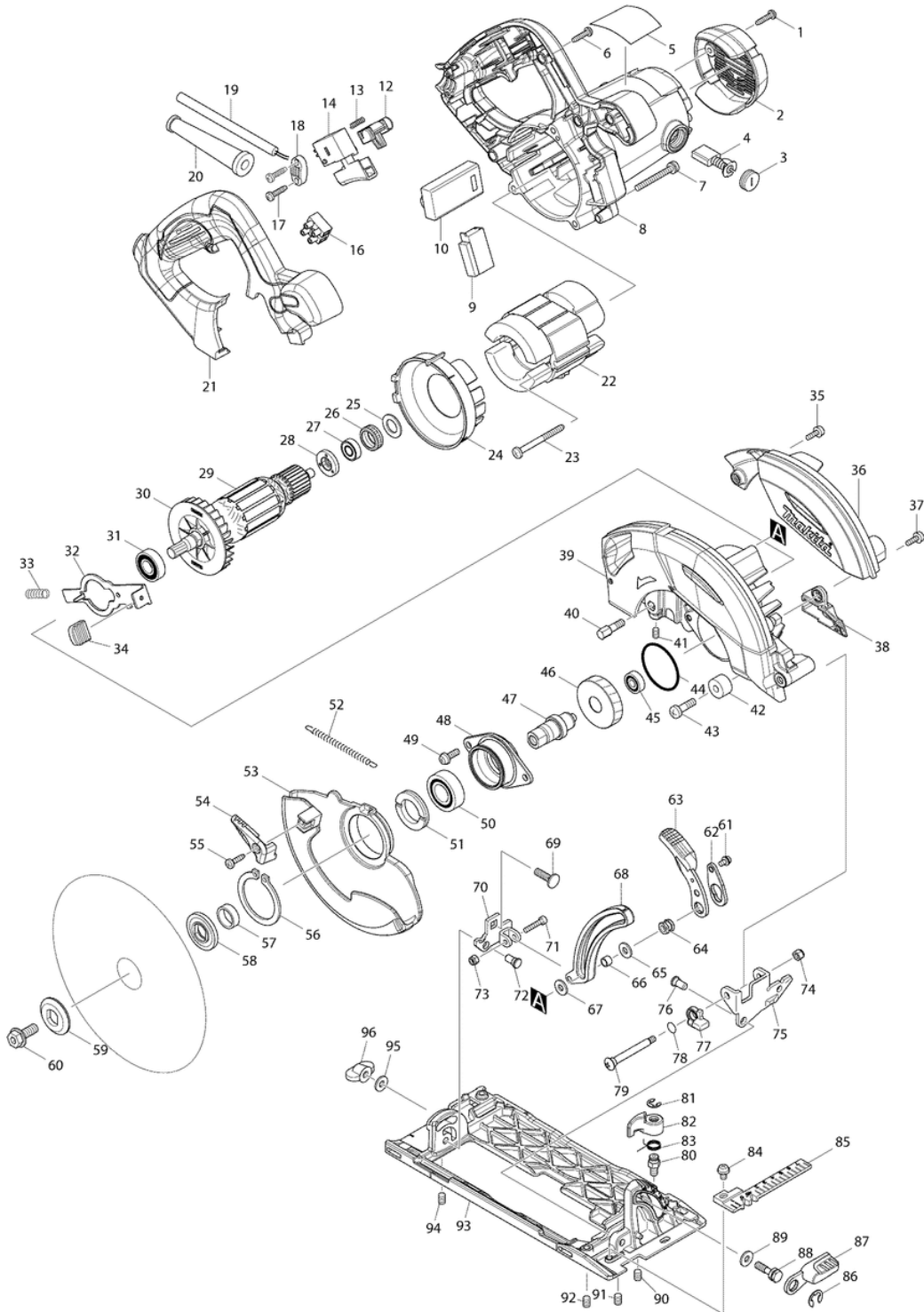
Tel: 02232 / 777 00

Fax: 02232 / 777 00 - 40

Mail: verkauf@makita.at

Web: www.makita.at

Makita Service Information / Model: HS6101





Makita Werkzeug Ges.m.b.H.

Airportstr. 4, 2401 Fischamend

Tel: 02232 / 777 00

Fax: 02232 / 777 00 - 40

Mail: verkauf@makita.at

Web: www.makita.at

Makita Service Information / Model: HS6101

POS	Bestell-Nr.	Artikelbeschreibung	Stk.	Stk.Preis
1	265995-6	šroub 4x18 = old 265941-9	2	N/A
2	453288-5	REAR COVER	1	N/A
3	643650-4	víčko uhlíků	2	N/A
4	196018-8	CARBON BRUSH SET CB-174	1	N/A
4.2	196018-8	CARBON BRUSH SET CB-174	1	N/A
5	896700-6	HS6101 NAME PLATE	1	N/A
6	265995-6	šroub 4x18 = old 265941-9	5	N/A
7	911268-2	šroub M5x45	3	N/A
8	141310-7	MOTOR HOUSING COMPLETE	1	N/A
9	631710-4	LIGHT CIRCUIT	1	N/A
10	620075-9	CONTROLLER	1	N/A
12	453284-3	LOCK OFF BUTTON	1	N/A
13	231469-9	compression spring 4	1	N/A
14	651362-5	SWITCH SGE210R-3	1	N/A
16	654531-7	Terminal Block 2P	1	N/A
17	265995-6	šroub 4x18 = old 265941-9	2	N/A
18	687052-4	STRAIN RELIEF	1	N/A
19	665890-4	přívodní kabel 1.0-2-4.0	1	N/A
20	682540-6	ochr. průchodka 9,3-90=old682503-2	1	N/A
21	453282-7	HANDLE COVER	1	N/A
22	628817-5	FIELD 220V	1	N/A
23	266095-5	šroub 5x55	2	N/A
24	453283-5	BAFFLE PLATE	1	N/A
25	261103-7	RUBBER WASHER 13	1	N/A
26	421479-6	vymezovací kroužek	1	N/A
27	210016-9	BALL BEARING 698ZZ	1	N/A
28	681654-8	Insulation washer	1	N/A
29	513838-9	ARMATURE ASS'Y 220V	1	N/A
29		*** INC. 27,28,30,31		N/A
30	240133-1	FAN 70	1	N/A
31	211131-2	kuličkové ložisko 6001DDW =old 922041	1	N/A
32	346547-3	SHAFT LOCK	1	N/A
33	233429-7	pružina LF1000	1	N/A
34	286275-7	CAP	1	N/A
35	911118-1	šroub M4x12	1	N/A
36	453292-4	BLADE COVER	1	N/A
37	911118-1	šroub M4x12	1	N/A
38	453290-8	DUCT	1	N/A
39	141314-9	BLADE CASE COMPLETE	1	N/A
40	265594-4	HEX.BOLT M6X18	1	N/A



Makita Werkzeug Ges.m.b.H.

Airportstr. 4, 2401 Fischamend

Tel: 02232 / 777 00

Fax: 02232 / 777 00 - 40

Mail: verkauf@makita.at

Web: www.makita.at

Makita Service Information / Model: HS6101

POS	Bestell-Nr.	Artikelbeschreibung	Stk.	Stk.Preis
41	266229-0	šroub M5x8 KP312/LS	1	N/A
42	262552-1	RUBBER SLEEVE 6	1	N/A
43	251247-1	+ PAN HEAD SCREW M6X20	1	N/A
44	213560-5	o-kroužek 44	1	N/A
45	211022-7	kuličkové ložisko	1	N/A
46	227755-4	HELICAL GEAR 40	1	N/A
47	326127-1	SPINDLE	1	N/A
48	318820-1	BEARING BOX	1	N/A
49	911223-4	šroub M5x16	2	N/A
50	211275-8	kuličkové ložisko 6003DDW =old 922032	1	N/A
51	285848-3	BEARING RETAINER 23-36	1	N/A
52	231878-2	TENSION SPRING 4	1	N/A
53	318826-9	SAFETY COVER	1	N/A
54	272271-1	LEVER 37	1	N/A
55	266034-5	šroub = old 933417	1	N/A
56	961201-4	Seegering S-42	1	N/A
57	257279-6	RING 17	1	N/A
58	224412-5	INNER FLANGE 35	1	N/A
58.2	224473-5	INNENFLANSCH 35 HS7601	1	N/A
59	224409-4	OUTER FLANGE 35	1	N/A
60	266283-4	HEX. SOCKET HEX. BOLT M8X20	1	N/A
61	911108-4	šroub M4x8	1	N/A
62	453362-9	LOCK PLATE	1	N/A
63	272273-7	LEVER 70	1	N/A
64	264071-3	HEX. NUT M6	1	N/A
65	267100-1	podložka 6	1	N/A
66	257669-3	pouzdro	1	N/A
67	267100-1	podložka 6	1	N/A
68	141315-7	DEPTH GUIDE COMPLETE	1	N/A
69	251919-8	šroub M6X 3901	1	N/A
70	165670-3	REAR ANGULAR GUIDE	1	N/A
71	922137-2	HEX. SOCKET HEAD BOLT M4X20	1	N/A
72	256480-0	SHOULDER PIN 6-7	1	N/A
73	252126-6	HEX. LOCKING NUT M4-7	1	N/A
74	252103-8	zajišťovací šroub M5-8	1	N/A
75	345590-9	ANGULAR GUIDE	1	N/A
76	256480-0	SHOULDER PIN 6-7	1	N/A
77	318823-5	STOPPER	1	N/A
78	213062-1	o kroužek 9 AN7000/BSR730S/GA70	1	N/A
79	266734-7	+ TRUSS HEAD SCREW M5	1	N/A



Makita Werkzeug Ges.m.b.H.

Airportstr. 4, 2401 Fischamend

Tel: 02232 / 777 00

Fax: 02232 / 777 00 - 40

Mail: verkauf@makita.at

Web: www.makita.at

Makita Service Information / Model: HS6101

POS	Bestell-Nr.	Artikelbeschreibung	Stk.	Stk.Preis
80	265571-6	HEX. BOLT M6X10	2	N/A
81	961012-7	zajišťovací kroužek	2	N/A
82	453165-1	LOCK LEVER	2	N/A
83	233596-8	TORSION SPRING 11	2	N/A
84	911203-0	šroub M5x8	1	N/A
85	453291-6	TOP GUIDE	1	N/A
86	257982-9	BOW STOP RING E-8	1	N/A
87	272272-9	LEVER 45	1	N/A
88	266735-5	HEX.BOLT M6X20	1	N/A
89	267100-1	podložka 6	1	N/A
90	266208-8	H.S.SET SCREW(CUP POINT)M6X8	1	N/A
91	266208-8	H.S.SET SCREW(CUP POINT)M6X8	1	N/A
92	266208-8	H.S.SET SCREW(CUP POINT)M6X8	1	N/A
93	318825-1	BASE	1	N/A
94	266208-8	H.S.SET SCREW(CUP POINT)M6X8	1	N/A
95	267100-1	podložka 6	1	N/A
96	252631-3	křídlová matice M6	1	N/A
1001	164095-8	vodítko	1	N/A
1002	453289-3	DUST NOZZLE	1	N/A
1003	911128-8	PAN HEAD SCREW M4X16	1	N/A
1004	B-02917	T.C.T.SAW BLADE 165MM	1	N/A
1005	783204-6	klíč inbus 6	1	N/A
1006	141736-3	PLASTIC CARRYING CASE COMPLETE	1	N/A
1006	821552-6	CONNECTOR PLASTIC CASE (TYPE4)	1	N/A
1007	890807-0	HS6101K CASE LABEL	2	N/A
1007	837307-9	INNER TRAY	1	N/A
1007.2	837807-9	INNER TRAY	1	N/A
1008	800M65-8	HS6101J INDICATION LABEL	1	N/A
1009	800M66-6	HS6101J PLASTIC CASE LABEL	2	N/A