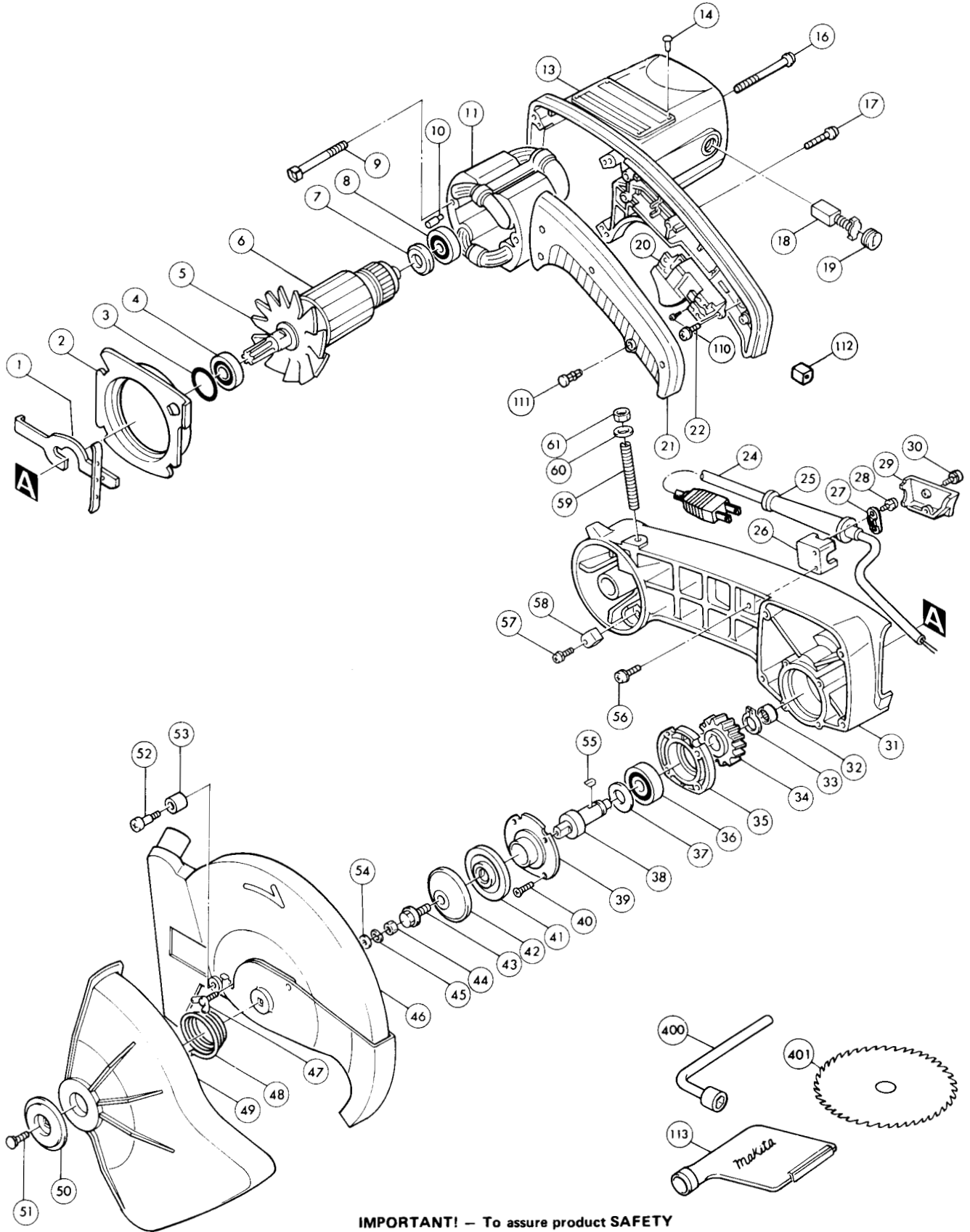




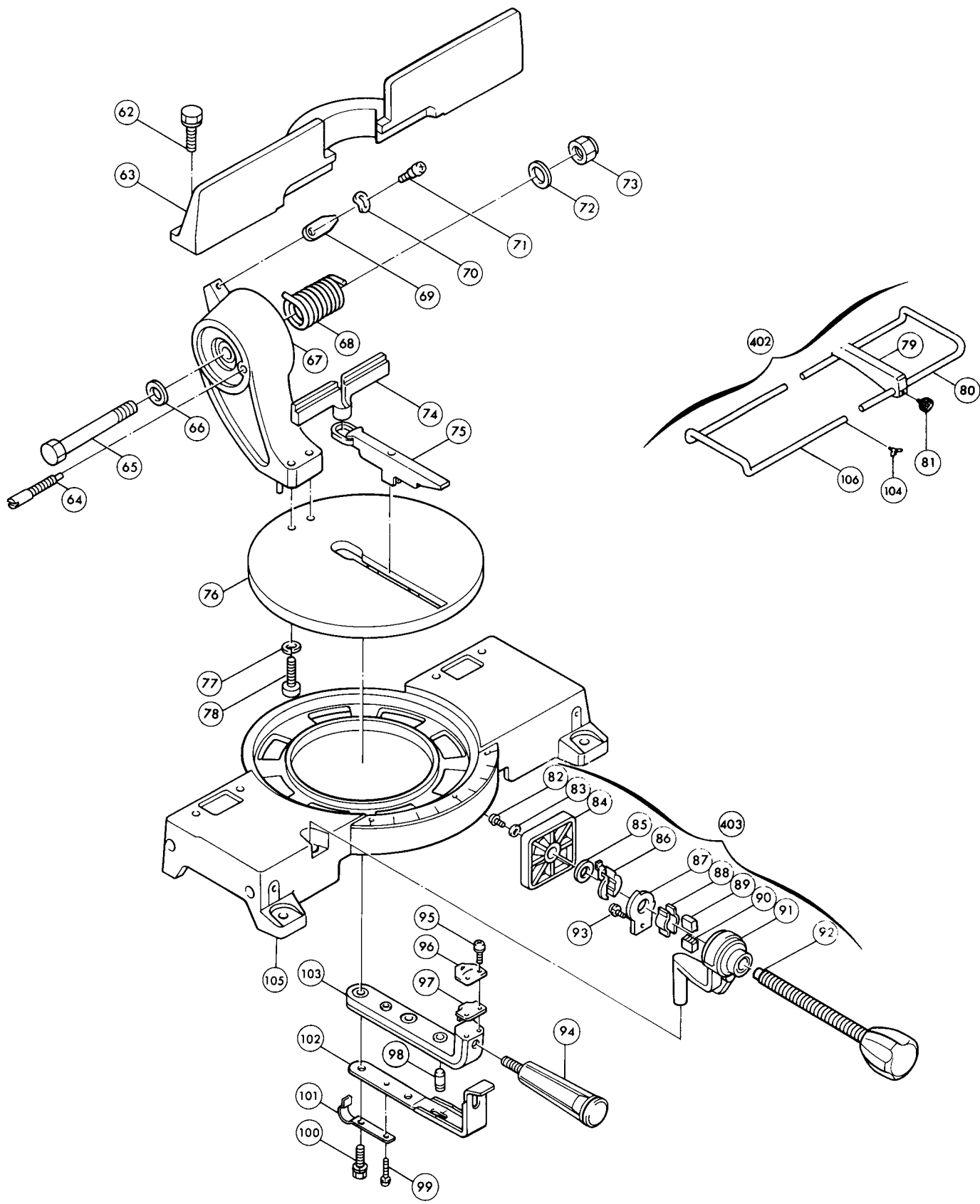
14" MITER SAW

Model LS1430

□, 115VAC, 12 AMP, 3200 RPM



IMPORTANT! – To assure product **SAFETY** and **RELIABILITY**, repairs should be performed by **MAKITA** Service Centers or other qualified service organizations. Always use **MAKITA** replacement parts.



Item No.	Part No.	No. Used	Description	Item No.	Part No.	No. Used	Description
1	163100-8	1	SHAFT LOCK	60	941252-3	1	FLAT WASHER 10
2	411466-3	1	BAFFLE PLATE	61	931501-6	1	HEX. NUT M10
3	213459-4	1	O RING 32	62	921551-9	4	HEX. BOLT M10×30
4	211106-1	1	BALL BEARING 6201LLB	63	315941-0	1	GUIDE FENCE
5	241048-5	1	FAN	64	251954-6	1	SET SCREW M10
6	614701-0	1	ARMATURE ASS'Y (Include Items 5-8)	65	251698-8	1	HEX. BOLT M16
7	681623-9	1	INSULATION WASHER	66	253771-0	1	FLAT WASHER 16
8	211068-3	1	BALL BEARING 6200LB	67	154348-3	1	ARM COMPLETE (with Spring Pin 951160-0)
9	925288-0	2	HEX. BOLT M5×65	68	231533-6	1	TORSION SPRING 33
10	263013-4	1	RUBBER PIN 4	69	341926-0	1	STOPPER
11	624511-7	1	FIELD ASS'Y (With Garter Spring 654020-2)	70	253948-7	1	WAVE WASHER 8
13	157733-9	1	MOTOR HOUSING (with Torsion Spring 231531-0, 2 ea. Brush Holder 643653-8)	71	251298-4	1	PAN HEAD SCREW M8
14	953106-2	4	RIVET	72	253771-0	1	FLAT WASHER 16
16	911936-7	4	PAN HEAD SCREW M5×80	73	252044-8	1	HEX. NUT M16-24
17	911158-9	4	PAN HEAD SCREW M4×30	74	410850-9	1	CHIP DEFLECTOR
18	643154-6	2	CARBON BRUSH (CB-154)	75	410849-4	1	SLOT INSERT
19	643650-4	2	BRUSH HOLDER CAP	76	311796-1	1	TURN TABLE
20	651115-2	1	SWITCH	77	942251-8	2	SPRING WASHER 10
21	410860-6	1	HANDLE COVER	78	922562-7	2	HEX. SOCKET HEAD BOLT M10×40
22	911101-8	1	PAN HEAD SCREW M4×6	79	312511-6	1	SET PLATE
24	664265-4	1	CORD with plug (2×16×8,SJ)	80	322027-3	1	HOLDER
25	682505-8	1	CORD GUARD	81	251804-5	1	SCREW M6×12
26	411468-9	1	CLAMP BASE COMPLETE	82	911317-5	1	PAN HEAD SCREW M6×14
27	687001-1	1	STRAIN RELIEF	83	253047-5	1	FLAT WASHER 6
28	911131-9	2	PAN HEAD SCREW M4×18	84	315891-9	1	WISE PLATE
29	411467-1	1	CLAMP COVER	85	253744-3	1	WASHER 12
30	911128-8	2	PAN HEAD SCREW M4×16	86	341912-1	1	NUT HOLDER
31	315052-1	1	GEAR HOUSING	87	342967-9	1	SET PLATE
32	212113-7	1	NEEDLE BEARING 1212	88	341911-3	2	PROTECTOR
33	961060-6	1	RETAINING RING S-20	89	321490-7	1	RELEASE NUT, R
34	221707-7	1	HELICAL GEAR	90	321491-5	1	RELEASE NUT, L
35	315055-5	1	BEARING BOX	91	151202-2	1	WISE ARM COMPLETE
36	211306-3	1	BALL BEARING 6204LLB	92	271275-0	1	WISE KNOB
37	253327-9	1	THIN WASHER 20	93	911216-1	1	PAN HEAD SCREW M5×14
38	321089-8A	1	SPINDLE	94	273436-8A	1	GRIP 37
39	285649-9	1	BEARING RETAINER	95	911108-4	2	PAN HEAD SCREW M4×8
40	912231-8	4	COUNTERSUNK SCREW M5×20	96	816173-7	1	INDICATION LABEL
41	224181-8	1	INNER FLANGE	97	342823-3	1	PLATE
42	224165-6	1	OUTER FLANGE	98	321981-8	1	LATCH PIN
43	251637-8	1	HEX. BOLT M8×20	99	911256-9	1	PAN HEAD SCREW M5×35
44	931302-2	1	HEX. NUT M6	100	921456-3	2	HEX. BOLT M8×35
45	942151-2	1	SPRING WASHER 6	101	232093-1	1	LEAF SPRING
46	151250-1	1	BLADE CASE	102	343359-5	1	LATCH SPRING
47	924316-8	1	WING BOLT M6×15	103	311795-3	1	TURNING STAY
48	231939-8	1	SPRING 30	104	924211-2	2	WING BOLT M5×12
49	410810-1	1	SAFETY COVER	105	151248-8	1	BASE COMPLETE
50	343358-7	1	CENTER PLATE	106	322027-3	1	HOLDER
51	923311-5	1	CAP SQUARE NECK BOLT M6×12	110	652014-1	6	PAN HD SCREW M4×8
52	251319-2	1	PAN HEAD SCREW M6	111	411478-6	1	LOCK-OFF SWITCH BUTTON
53	262514-9	1	RUBBER SLEEVE 8	112	411477-8	1	LOCK-OFF STOPPER
54	941202-8	1	FLAT WASHER 8	113	122330-0	1	DUST BAG With Fastener 410602-8
55	254203-0	1	KEY 4	ACCESSORIES			
56	911121-2	2	PAN HEAD SCREW M4×14	400	782212-4	1	SOCKET WRENCH 13
57	911239-9	1	PAN HEAD SCREW M5×22	401	721610-7	1	14" COMBINATION BLADE
58	411479-4	1	CUSHION	402	191239-7	1	HOLDER SET (Include Items 79-81,104, 106)
59	251959-6	1	SCREW M10×80	403	134413-4	1	WISE ASSEMBLY (Assembled Items 82-93)