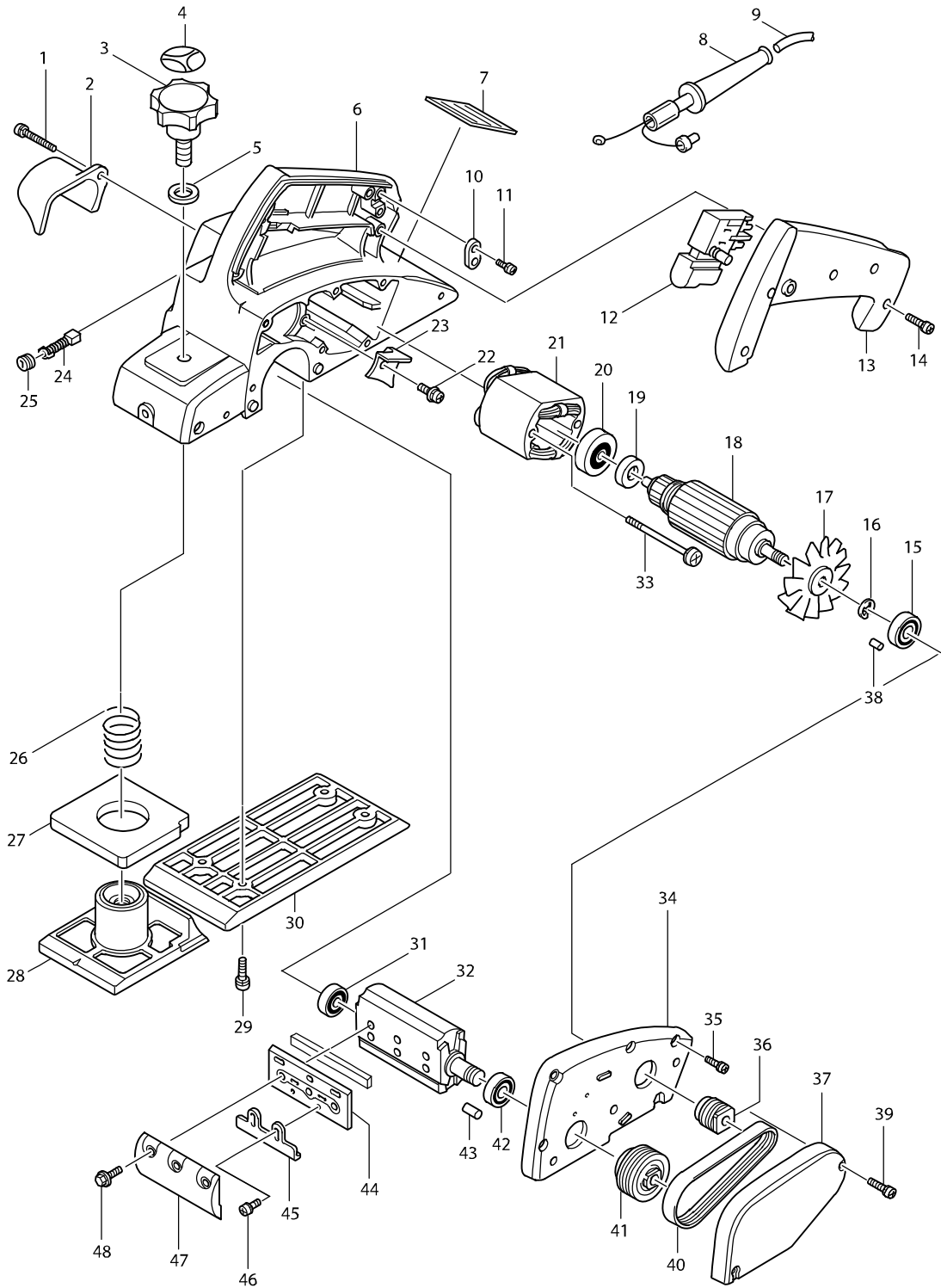


Model No. 1902 POWER PLANER 82MM



Model No. 1902 POWER PLANER 82MM

Item	Parts No.	Description	I/C	Qty	N/O	Opt. 1	Opt. 2	Note
001	911128-8	PAN HEAD SCREW M4X16		1				
002-1	416523-2	CHIP COVER		1				
003	271231-0	KNOB 46		1				
004	812004-8	SCALE LABEL		1				
005	253796-4	FLAT WASHER 10		1	*			
005-1	941251-5	FLAT WASHER 10	X	1				
006	159983-2	MAIN FRAME COMPLETE		1				
C10	643556-6	BRUSH HOLDER 5-8		2				
007	859017-8	NAME PLATE 1902		1				
008A_	682502-4	CORD GUARD 8-85		1				
009B_	692021-2	POWER SUPPLY CORD 1.0-2-2.5		1				
010A_	687063-9	CORD CLAMP		1				
011	911133-5	PAN HEAD SCREW M4X18		2				
012	651233-6	SWITCH SGEL106C		1				
013	411170-4	HANDLE COVER		1				
014	911148-2	PAN HEAD SCREW M4X25		4				
015	211061-7	BALL BEARING 6000LLB		1				
016	961015-1	STOP RING E-9		1				
017	241510-0	FAN 52		1				
018A_	511939-7	ARMATURE ASS'Y 240V		1				
D10		INC. 15-17,19,20						
019	681614-0	INSULATION WASHER		1				
020	211028-5	BALL BEARING 627LB		1				
021A_	593119-7	FIELD ASS'Y 240V		1				
C10	654018-9	RING TERMINAL		2				
C20	654501-6	CONNECTOR P-1.25		2				
022	911128-8	PAN HEAD SCREW M4X16		1				
023	411153-4	AUXILIARY BAFFLE PLATE		1				
024	181021-2	CARBON BRUSH CB-51		1				
025	643550-8	BRUSH HOLDER CAP 5-8		2				
026	231004-3	COMPRESSION SPRING 18		1				
027	421007-7	RUBBER PACKING		1				
028	316963-3	FRONT BASE		1				
029	911226-8	PAN HEAD SCREW M5X18		4				
030	316964-1	BASE		1				
031	211032-4	BALL BEARING 608ZZ		1				
032	161061-6	DRUM		1				
033	911586-8	PAN HEAD SCREW M4X60		2				
034	152565-9	BRACKET COMPLETE		1				
D10		INC. 38,43						
035	911138-5	PAN HEAD SCREW M4X20		6	*			
035-1	911148-2	PAN HEAD SCREW M4X25	<	6				
036-1	222145-6	V-PULLEY 4-18L		1				
037	411019-8	BELT COVER		1				
038	263002-9	RUBBER PIN 4		1				
039	911148-2	PAN HEAD SCREW M4X25		2				
040	225071-8	POLY V-BELT 4-241		1				
041-1	222146-4	V-PULLEY 4-38		1				

