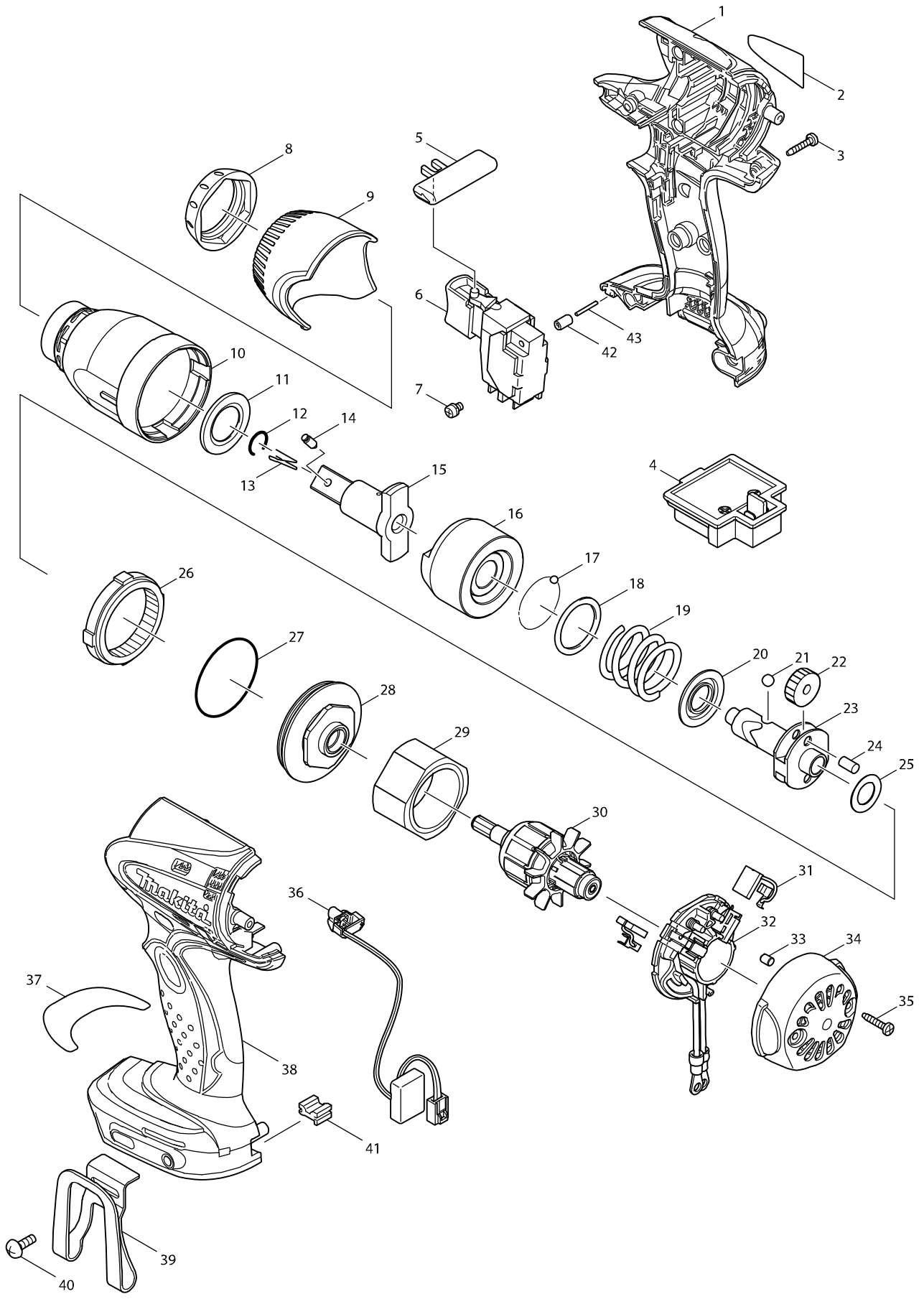


Model No. DTW251 CORDLESS IMPACT WRENCH



Model No. DTW251 CORDLESS IMPACT WRENCH

Item	Parts No.	Description	I/C	Qty	N/O	Opt. 1	Opt. 2	Note
001	188243-5	HOUSING SET		1				
C10	263005-3	RUBBER PIN 6		2				
D10		INC. 38						
002	815E48-7	DTW251 NAME PLATE		1				
003	266130-9	TAPPING SCREW BIND PT 3X16		8				
004	643852-2	TERMINAL		1				
005	419041-9	F/R CHANGE LEVER		1				
006	650652-3	SWITCH TG553FSB-1B		1				
007	652045-0	+PAN HEAD SCREW M3.5X5		2				
008	424375-7	BUMPER		1				
009	452439-7	HAMMER CASE COVER		1				
010	140171-2	HAMMER CASE COMPLETE		1				
011	261116-8	NYLON WASHER 18		1				
012	231907-1	RING SPRING 10		1				
015	324706-9	ANVIL		1				
016	324703-5	HAMMER		1				
017	216001-0	STEEL BALL 3.5		24				
018	267175-0	FLAT WASHER 24		1				
019	234337-5	COMPRESSION SPRING 25		1				
020	267766-7	CUP WASHER 14		1				
021	216011-7	STEEL BALL 5.6		2				
022	227233-4	SPUR GEAR 22		2				
023	324220-5	SPINDLE		1				
024	256253-1	PIN 5		2				
025	267212-0	FLAT WASHER 12		1				
026	227150-8	INTERNAL GEAR 51		1				
027	213507-9	O RING 40		1				
028C	158145-9	BEARING BOX COMPLETE		1	*			
028D	158145-9	BEARING BOX COMPLETE		1	*			
028-1C	143035-9	BEARING BOX COMPLETE	O	1				
028-1D	143035-9	BEARING BOX COMPLETE	O	1				
028-1E	143035-9	BEARING BOX COMPLETE		1				
028-1F	143035-9	BEARING BOX COMPLETE		1				
029	638495-3	YORK UNIT		1				
030C	619253-6	ARMATURE		1	*			
030D	619253-6	ARMATURE		1	*			
030E	619253-6	ARMATURE		1	*			
030-1C	619375-2	ARMATURE	<	1				
030-1D	619375-2	ARMATURE	<	1				
030-1E	619375-2	ARMATURE	<	1				
030-1F	619375-2	ARMATURE		1				
031C	196854-2	CARBON BRUSH CB-448		1	*			
031D	196854-2	CARBON BRUSH CB-448		1	*			
031E	196854-2	CARBON BRUSH CB-448		1	*			
031-1C	196854-2	CARBON BRUSH CB-448	S	1				
031-1D	196854-2	CARBON BRUSH CB-448	S	1				
031-1E	196854-2	CARBON BRUSH CB-448	S	1				
031-1F	196854-2	CARBON BRUSH CB-448		1				

Model No. DTW251 CORDLESS IMPACT WRENCH

Item	Parts No.	Description	I/C	Qty	N/O	Opt. 1	Opt. 2	Note
032C	638498-7	BRUSH HOLDER COMPLETE		1	*			
032D	638498-7	BRUSH HOLDER COMPLETE		1	*			
032E	638498-7	BRUSH HOLDER COMPLETE		1	*			
032-1C	632G49-0	BRUSH HOLDER COMPLETE	S	1				
C10	689181-9	SPACER		2				
D10		INC. 31						
032-1D	632G49-0	BRUSH HOLDER COMPLETE	S	1				
C10	689181-9	SPACER		2				
D10		INC. 31						
032-1E	632G49-0	BRUSH HOLDER COMPLETE	S	1				
C10	689181-9	SPACER		2				
D10		INC. 31						
032-1F	632G49-0	BRUSH HOLDER COMPLETE		1				
C10	689181-9	SPACER		2				
D10		INC. 31						
033	263032-0	RUBBER PIN 4		2				
034	418981-8	REAR COVER		1				
035	266130-9	TAPPING SCREW BIND PT 3X16		2				
036	631693-8	LIGHT CIRCUIT		1				
038	188243-5	HOUSING SET		1				
C10	263005-3	RUBBER PIN 6		2				
D10		INC. 1						
039	346317-0	HOOK		1				
040	251314-2	+ SCREW M4X12		1				
041C	424026-2	CUSHION		1	*			
041D	424026-2	CUSHION		1	*			
041-1C	424476-1	CUSHION	O	1				
041-1D	424476-1	CUSHION	O	1				
041-1E	424476-1	CUSHION		1				
041-1F	424476-1	CUSHION		1				
042	263036-2	RUBBER PIN 5		1				
043	268184-2	PIN 1.5		1				
A01C	***DC18RC	DC18RC FAST CHARGER		1				
A01E	***DC18RC	DC18RC FAST CHARGER		1				
A01F	***DC18RC	DC18RC FAST CHARGER		1				
A02C	194204-5	BATTERY BL1830 SET		2	*			
A02-1C	194204-5	BATTERY BL1830 SET	O	2	*			
A02-1E	196399-0	BATTERY BL1840 SET		2	*			
A02-2C	197600-6	BATTERY BL1830B SET	<	2				
A02-2E	197265-4	BATTERY BL1840B SET	<	2				
A02-2F	197280-8	BATTERY BL1850B SET		2				
A03C	141205-4	PLASTIC CARRYING CASE		1				
C10	324207-7	SHAFT		1				
C20	413098-2	PLATE		4				
C30	417724-5	LATCH		2				
C40	419215-2	PLASTIC CASE LID		1				
C50	419216-0	HANDLE		1				
A03E	141205-4	PLASTIC CARRYING CASE		1				

