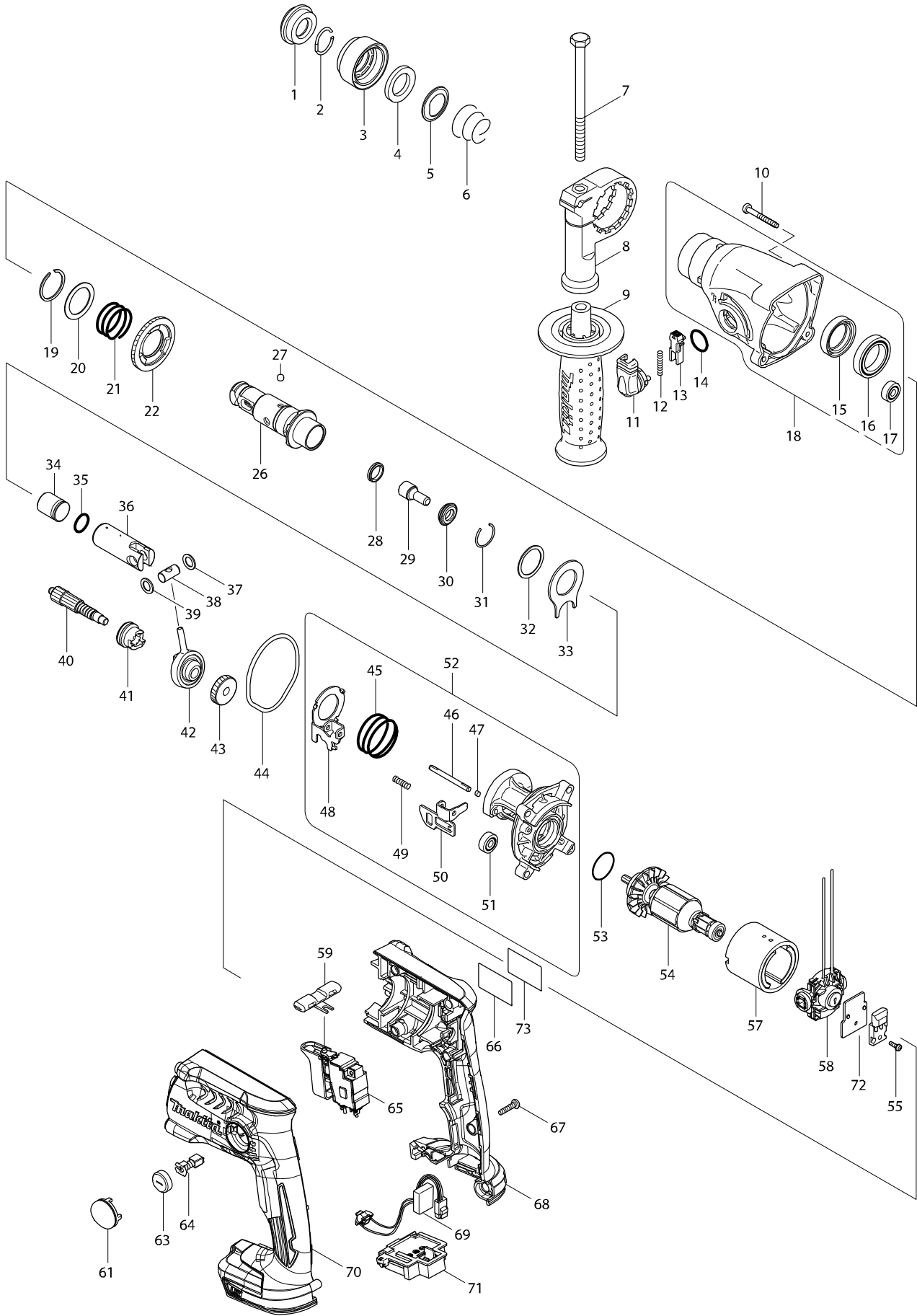


Model No. DHR165 CORDLESS ROTARY HAMMER 16MM



Model No. DHR165 CORDLESS ROTARY HAMMER 16MM

Item	Parts No.	Description	I/C	Qty	N/O	Opt. 1	Opt. 2	Note
001	286263-4	CAP 35		1				
002	233940-9	RING SPRING 19		1				
003	419220-9	CHUCK COVER		1				
004	257241-1	RING 21		1				
005	345187-4	GUIDE WASHER		1				
006	233916-6	CONICAL COMP. SPRING 21-29		1				
007	921923-8	HEX. BOLT M8X120		1				
008	417911-6	GRIP BASE		1				
009	158057-6	GRIP 36 COMPLETE		1				
010	266053-1	TAPPING SCREW 4X35		4				
011	162242-5	CHANGE LEVER COMPLETE		1				
012	233459-8	COMPRESSION SPRING 3		1				
013	455413-4	LOCK BUTTON		1				
014	213278-8	O RING 17		1				
015	213535-4	OIL SEAL 25		1				
016	211375-4	BALL BEARING 6805LLB		1				
017	211012-0	BALL BEARING 606ZZ		1				
018	154840-9	GEAR HOUSING COMPLETE		1				
D10		INC. 15-17						
019	961135-1	RETAINING(EXT) WR-25		1				
020	267304-5	FLAT WASHER 25		1				
021	233457-2	COMPRESSION SPRING 25		1				
022	331707-0	SPUR GEAR 46		1				
026	154843-3	TOOL HOLDER COMPLETE		1				
027	216022-2	STEEL BALL 7.0		1				
028	213183-9	X RING 13		1				
029	324611-0	IMPACT BOLT		1				
030	257275-4	RING 11		1				
031	233942-5	RING SPRING 22		1				
032	267175-0	FLAT WASHER 24		1				
033	345681-6	JOINT PLATE		1				
034	324613-6	STRIKER		1				
035	213182-1	O RING 14		1				
036	331708-8	PISTON CYLINDER		1				
037	267130-2	FLAT WASHER 9		1				
038	324612-8	PISTON JOINT		1				
039	267130-2	FLAT WASHER 9		1				
040	227152-4	SPUR GEAR 10		1				
041	331706-2	CLUTCH CAM		1				
042	219019-0	SWASH BEARING 9		1				
043	226623-8	HELICAL GEAR 22		1				
044	423346-1	SEAL RING		1				
045	233458-0	COMPRESSION SPRING 32		1				
046	268147-8	PIN 4		1				
047	443123-5	FELT 4X3		1				
048	345645-0	CHANGE PLATE		1				
049	233460-3	COMPRESSION SPRING 3		1				
050	345654-9	STOPPER PLATE		1				

Item	Parts No.	Description	I/C	Qty	N/O	Opt. 1	Opt. 2	Note
051	211012-0	BALL BEARING 606ZZ		1				
052	154841-7	INNER HOUSING COMPLETE		1				
D10		INC. 45-51						
053	213953-6	O RING 24		1				
054	619334-6	ARMATURE		1				
055	911011-9	PAN HEAD SCREW M3X10		1				
057	638446-6	YOKE UNIT		1				
058	632D96-3	ENDBELL COMPLETE		1				
059	419457-8	F/R CHANGE LEVER		1				
061	424128-4	HOLDER CAP COVER		2				
063	643929-3	BRUSH HOLDER CAP		2				
064	191971-3	CARBON BRUSH CB-430		1				
065	632D94-7	SWITCH UNIT		1				
066	850K43-6	DHR165 NAME PLATE		1				
067	265995-6	TAPPING SCREW 4X18		7				
068	183A41-8	HOUSING SET		1				
C10	263005-3	RUBBER PIN 6		2				
D10		INC. 70						
069	620367-6	LIGHT CIRCUIT		1				
070	183A41-8	HOUSING SET		1				
C10	263005-3	RUBBER PIN 6		2				
D10		INC. 68						
071	644808-8	TERMINAL		1				
072	689098-6	HEAT SINK		1				
073	805F02-5	CLEAR LABEL		1				
A01	415486-9	DEPTH GAUGE		1				
A02B	***DC18RC	DC18RC FAST CHARGER		1				
A02C	***DC18RC	DC18RC FAST CHARGER		1				
A03B	197280-8	BATTERY BL1850B SET		2				
A03C	197265-4	BATTERY BL1840B SET		2				
A04B	450128-8	BATTERY COVER		1				
A04C	450128-8	BATTERY COVER		1				
A05B	821626-3	PLASTIC CARRYING CASE		1				
C10	162315-4	LATCH		2				
A05C	821626-3	PLASTIC CARRYING CASE		1				
C10	162315-4	LATCH		2				