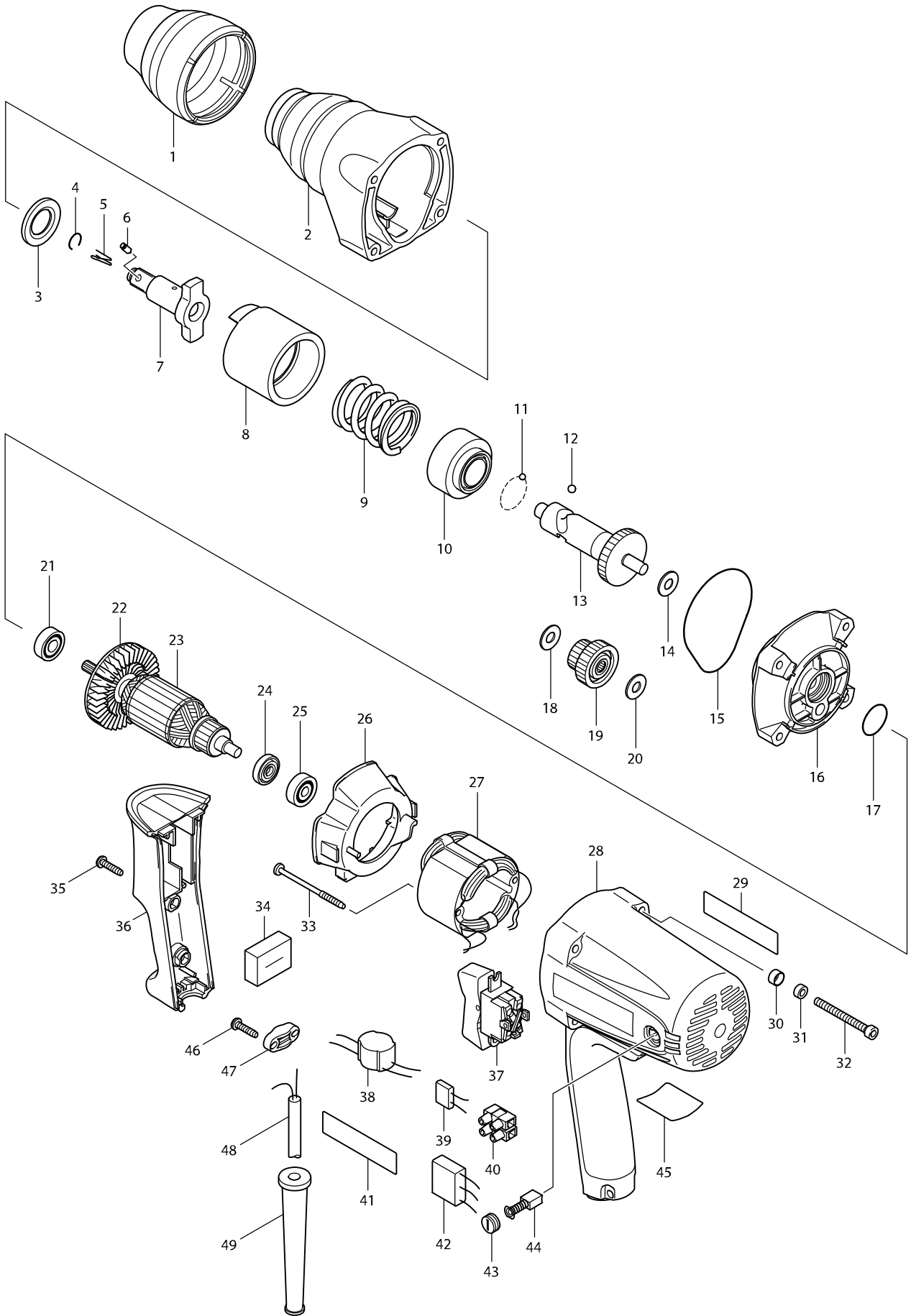


Model No. TW0350 IMPACT WRENCH



Model No. TW0350 IMPACT WRENCH

Item	Parts No.	Description	I/C	Qty	N/O	Opt. 1	Opt. 2	Note
001	421837-6	BUMPER		1				
002	153623-4	HAMMER CASE COMPLETE		1				
C10	213257-6	OIL SEAL 18		1				
C20	321119-5	SLEEVE 18		1				
003	267268-3	FLAT WASHER 19		1				
004	231907-1	RING SPRING 10		1				
007	324406-1	ANVIL		1	*			
007-1	326983-9	ANVIL	<	1				
008	324336-6	HAMMER		1				
009	233383-5	COMPRESSION SPRING 28		1				
010	313115-7	SPRING HOLDER		1				
011	216008-6	STEEL BALL 4		19				
012	216007-8	STEEL BALL 6.4		2				
013	324338-2	SPINDLE		1				
014	253139-0	FLAT WASHER 8		1				
015	421838-4	SEAL RING		1				
016	153624-2	HAMMER CASE COVER COMPLETE		1				
017	213373-4	O RING 22		1				
018	253139-0	FLAT WASHER 8		1				
019	153626-8	SPUR GEAR 19-41 COMPLETE		1				
020	253139-0	FLAT WASHER 8		1				
021	210024-0	BALL BEARING 608LLU		1				
022	241884-9	FAN 60		1				
D10		INC. 21,22,24,25						
023A	515263-0	ARMATURE ASS'Y 220-240V		1				
023G	515260-6	ARMATURE ASS'Y 100-115V		1				
024	681614-0	INSULATION WASHER		1				
025	210025-8	BALL BEARING 627LLB		1				
026	418180-2	BAFFLE PLATE		1				
027A	625163-7	FIELD 220-240V		1				
027G	625161-1	FIELD 115V		1				
028A	183604-4	MOTOR HOUSING		1	*			
C10	643455-2	BRUSH HOLDER 6X9		2	*			
D10		INC. 29,41			*			
028-1A	153625-0	MOTOR HOUSING	O	1				
C10	643455-2	BRUSH HOLDER 6X9		2				
028-1G	153625-0	MOTOR HOUSING		1				
C10	643455-2	BRUSH HOLDER 6X9		2				
029A	819064-1	MAKITA MARK		1	*			
030	253929-1	CUP WASHER 5		4				
031	262001-8	URETHANE RING 5		4				
032	266331-9	HEX. SOCKET HEAD BOLT M5X50		4				
033	266091-3	TAPPING SCREW 4X50		2				
035	265995-6	TAPPING SCREW 4X18		2				
036	418179-7	HANDLE COVER		1				
037	651572-4	SWITCH SL220SD-19		1				
041A	819064-1	MAKITA MARK		1	*			
043	643550-8	BRUSH HOLDER CAP 5-8		2				

