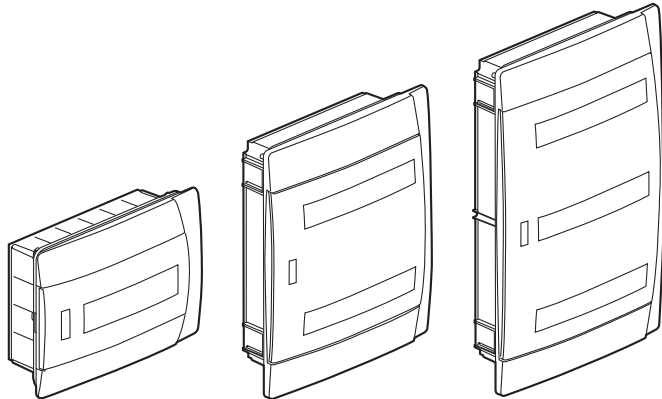


Practibox™ cabinets

Cat. Nos.: 6 011 10/11/12/13/14/17/18/19



CONTENTS

Page

1. Range	1
2. Overall dimensions	1
3. Technical characteristics	1
4. Installation	2/3
5. Accessories	3

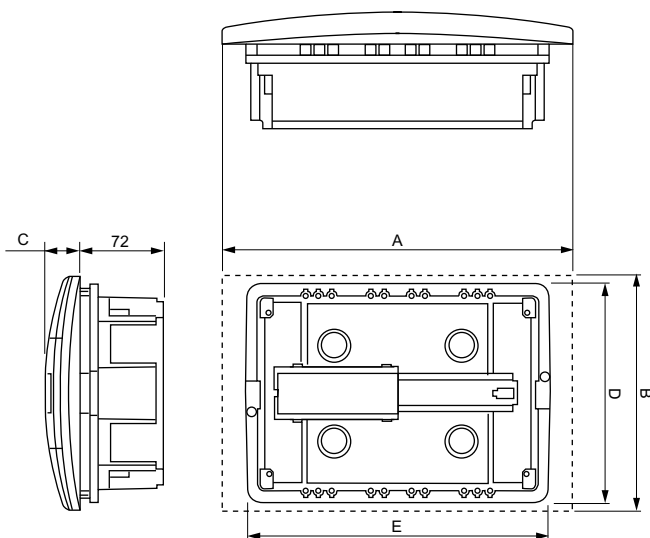
1. RANGE

Low-voltage 63 A distribution cabinets designed for the residential and small commercial sectors.

Cat. Nos	Number of modules	Number of rows
6 011 10	6	1
6 011 11	8	1
6 011 12	12	1
6 011 13	24	2
6 011 14	36	3
6 011 17	12	1
6 011 18	24	2
6 011 19	36	3

2. OVERALL DIMENSIONS

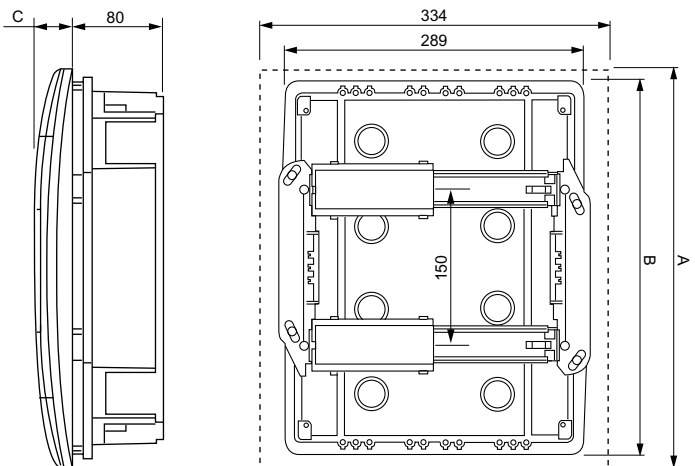
1-row distribution cabinets



	6 modules	8 modules	12 modules
A	230	266	334
B	186	188	225
C	27	27	31
D	180	180	208
E	208	244	287

2. OVERALL DIMENSIONS (continued)

2 and 3-row distribution cabinets



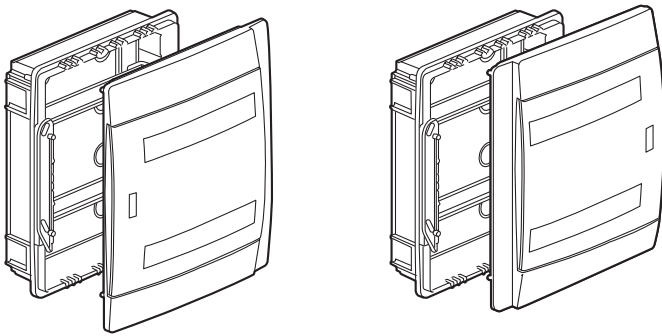
	24 modules	36 modules
A	376	526
B	358	508
C	40	42

3. TECHNICAL CHARACTERISTICS

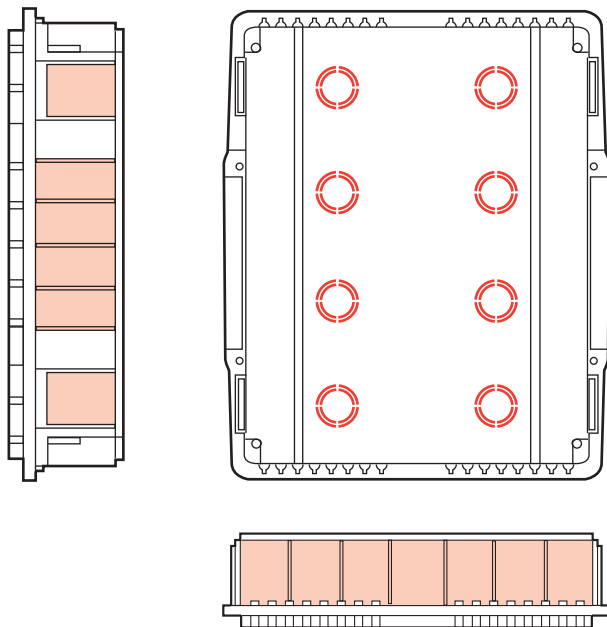
- Colour, white RAL 9003
- Protection index:
 - 6 011 10/11/23/24 : IP 40 IK 07 with door
 - 6 011 12/13/14/17/18/19 : IP 41 IK 07 with door
- Self-extinguishing 650°
- Class II
- Compliant with EN 60 439-3, IEC 60 670-24, CEI 23-48/23-49/23-51, IEC 62 208
- Max. current: 63 A
- Materials :
 - Bases and covers: polystyrene
 - Doors: polystyrene and blue-tinted polycarbonate window
 - Terminal block: brass - steel - polycarbonate
 - Rail/screw: steel
 - Rail support: polycarbonate
- Permissible loads : 40N per row

4. INSTALLATION

Reversible front panel

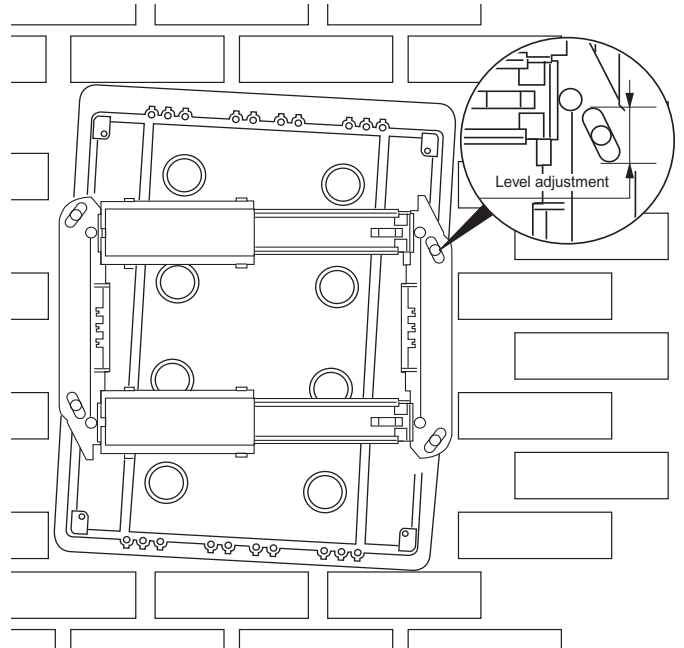


Cut-outs for cable entry on 5 surfaces

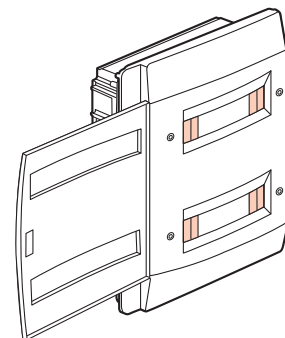


4. INSTALLATION (continued)

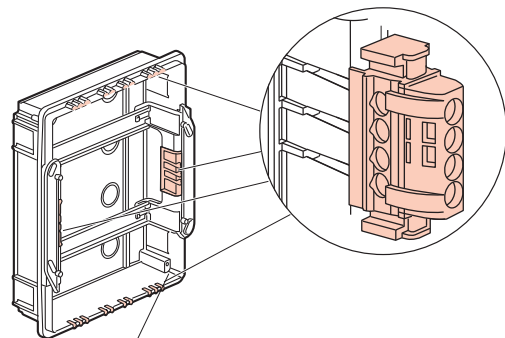
Positioning of the chassis to enable level adjustment. Screw creates a 10-mm thickness compensation between the front and the box



Cut-outs for 8 additional semi-modules per row.



Supplied with and without Earth and Neutral terminal blocks according to markets. Additional terminal blocks can be added.



Option of fixing a 12 x 2 flat bar in 1 x 12 module
2 x 12 module
3 x 12 module boxes

4. INSTALLATION (continued)

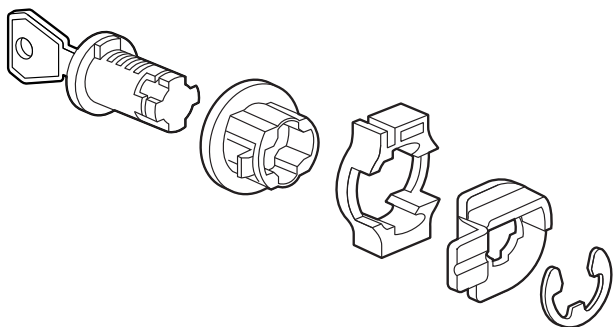
Composition of terminal blocks

6 011 10	Without terminal block
6 011 11	
6 011 12	
6 011 13	
6 011 14	

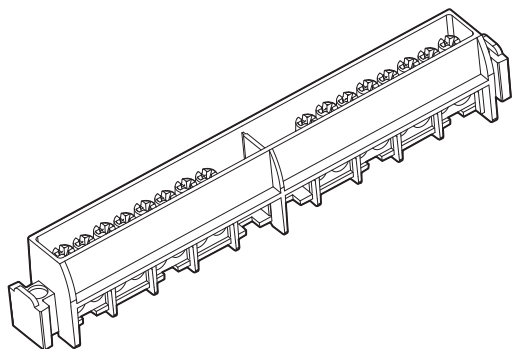
	N	E
6 011 17	1 x (4 x 16 ² + 4 x 10 ²)	1 x (4 x 16 ² + 4 x 10 ²)
6 011 18		
6 011 19		

5. ACCESSORIES

Cat. No. 0 019 66 - Lock No. 850 for 2 and 3-row distribution cabinets



Cat. No. 6 012 90 - Earth + Neutral terminal blocks



Cat. No. 0 016 60 - Blanking plates

