

## High-Spec SDS Max Rotary Hammer Series with AC Brushless Motor



### Optional Accessories\*

#### Hole drilling (rotation + hammering) Drill Bit (SDS max shank)

D (mm)	L (mm)	Code No.
16 (5/8")	340 (13 - 3/8")	313448
	540 (21 - 1/4")	313456
19 (3/4")	340 (13 - 3/8")	313449
	540 (21 - 1/4")	313457
22 (7/8")	320 (12 - 5/8")	313450
	520 (20 - 15/32")	313458
25 (1")	320 (12 - 5/8")	313451
	520 (20 - 15/32")	313459
28 (1-1/8")	370 (14 - 9/16")	313452
	570 (22 - 7/16")	313460
32 (1-1/4")	370 (14 - 9/16")	313453
	570 (22 - 7/16")	313461
38 (1-1/2")	370 (14 - 9/16")	313454
	570 (22 - 7/16")	313462
40 (1-9/16")	370 (14 - 9/16")	313455
	570 (22 - 7/16")	313463

#### SDS-plus Shank Bit Adapter (SDS max shank)

Code No.
313465

#### Hole drilling (rotation only)



Name	Code No.
13mm Drill Chuck (13VLD-D) with Chuck Wrench	321813
Chuck Adapter	313468

#### Large-diameter hole boring (rotation + hammering)



(1) Core Bit D (mm)	Guide Plate	Code No.
25 (1")	—	955994
29 (1-1/8")	—	955995
32 (1-1/4")	●	955996
35 (1-3/8")	●	955998
38 (1-1/2")	●	956000
45 (1-3/4")	●	955154
54 (2-1/8")	●	955155
64 (2-1/2")	●	956002
79 (3-1/8")	●	955157
94 (3-11/16")	●	956004
105 (4-1/8")	●	955159

#### Large-diameter hole boring (rotation + hammering)

(1) Core Bit D (mm)	(2) Center Pin L (mm)	Code No.
32 (1-1/4") - 35 (1-3/8")	145 (5-23/32")	956009
38 (1-1/2") - 105 (4-1/8")	135 (5-5/16")	955165

(1) Core Bit D (mm)	(3) Core Bit Shank L (mm)	Code No.
25 (1") - 35 (1-3/8")	300 (11 - 13/16")	313466
38 (1-1/2") - 105 (4-1/8")	300 (11 - 13/16")	313467

#### Chemical anchor hole drilling (rotation + hammering)

Socket Square Size (mm)	Code No.
12.7 (1/2")	313469
19.0 (3/4")	313470

#### Demolition (hammering) Bull Point (SDS max shank)

L (mm)	Code No.
280 (11")	313471
400 (15-3/4")	313472

#### Groove digging and edging (hammering) Cold Chisel (SDS max shank)

L (mm)	Code No.
280 (11")	313473
400 (15-3/4")	313474

#### Cutting and stripping (cutting asphalt etc.) (hammering) Cutter (SDS max shank)

L (mm)	W (mm)	Code No.
400 (15-3/4")	50 (2")	313475

#### Scooping (hammering) Scoop (SDS max shank)

L (mm)	Code No.
400 (15-3/4")	313476

#### Tamping (hammering)

(1) Rammer L (mm)	(2) Shank (SDS max shank) L (mm)	Code No.
25 (1") - 150 (6")	300 (11 - 13/16")	313478
38 (1-1/2") - 220 (8-21/32")	300 (11 - 13/16")	313479

#### Surface roughing (hammering)

(1) Bushing Tool L (mm)	(2) Shank (SDS max shank) L (mm)	Code No.
220 (8-21/32")	300 (11 - 13/16")	313477
220 (8-21/32")	300 (11 - 13/16")	313479

#### Grease

(1)	(2)	(3)	Volume	Code No.
			500g (1.1lbs.)	980927
			70g (0.15lbs.)	308471
			30g (0.07lbs.)	981840

\* Optional accessories may vary by country or area.

# HITACHI

Inspire the Next

## Rotary Hammer

DH 40MC



# Upgraded Standard Model with More Speed, Power & Comfort



Distributed by:

Hitachi Koki Co., Ltd.

www.hitachi-koki.com

\*1 A comparison between the DH40MC and previous model DH40MR. (When drilling φ16-40mm holes into concrete. Actual results vary depending on conditions.)

\*2 A comparison between the DH40MC and previous model DH40MR. (Actual results vary depending on conditions.)

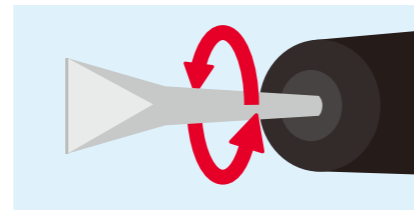
# Upgraded Standard Model with More Speed, Power & Comfort

DH 40MC



## Multiple Bit-Angle Settings

The chisel can be rotated in multiple angles with the change lever positioned at 'neutral'.



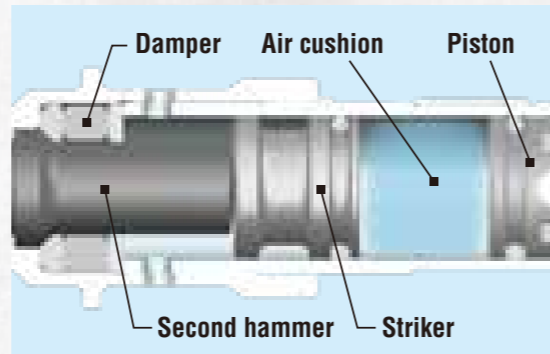
Approx. **13%**  
Faster Drilling  
Speed

Approx. **28%**  
More Demolition  
Performance

Approx. **25%**  
Less  
Vibration

## High Performance & Superior Working Comfort

A larger damper and higher volume air cushion reduce the impact and piston reaction force generated during hammering. This results in significant vibration reduction.



\*1 A comparison between the DH40MC and previous model DH40MR. (When drilling  $\phi$ 16-40mm holes into concrete. Actual results vary depending on conditions.)  
\*2 A comparison between the DH40MC and previous model DH40MR. (Actual results vary depending on conditions.)

## Improved Handling

### 1 One Push Bit Mounting

A bit can be mounted by simply inserting it into the tool holder

SDS max  
Shank



### 2 Large Change Lever

allows for easy mode switching between hammering (for demolition), neutral (for 12-stage bit angle adjustment) and rotation + hammering (for drilling).



■ Hammering ● Neutral ▲ Rotation + Hammering

### 3 Large Trigger Switch

Easy-to-grip trigger switch for more control.



DH 40MC

SDS max  
Shank



## Specifications

Model	DH 40MC	
Capacity	Drill Bit	40mm (1-9/16")
	Core Bit	105mm (4-1/8")
Power Input	1,100W	
Bit Shank	SDS max	
No Load Speed	620/min.	
Full Load Impact Rate	2,800/min.	
Overall Length	448mm (17-5/8")	
Weight (including side handle)	7.1kg (15.6lbs.)	
Vibration Total Values (triax vector sum) <sup>*3</sup>	Hammer drilling into concrete	Vibration emission value : ah, HD = 16.5m/s <sup>2</sup> Uncertainty K = 1.5 m/s <sup>2</sup>
	Equivalent chiseling value	Vibration emission value : ah, CHeq = 13.3m/s <sup>2</sup> Uncertainty K = 1.5m/s <sup>2</sup>
Standard Accessories	Side Handle, Stopper, Hammer Grease A (30g), Carrying Case	

\*3 Vibration total values (triax vector sum) determined according to EN60745.